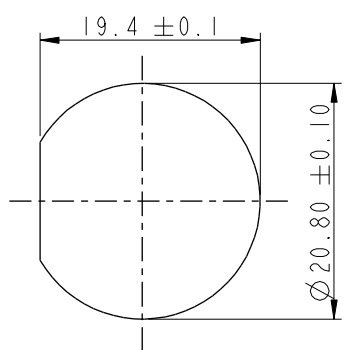
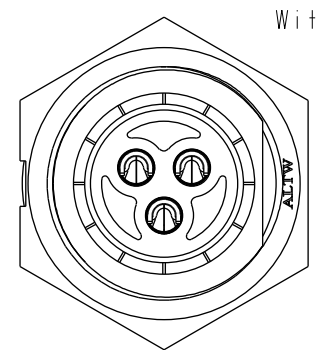


THIS DOCUMENT IS SUBJECT TO CHANGE WITHOUT NOTICE. IT IS CONFIDENTIAL AND A PROPERTY OF Amphenol LTW. DISCLOSURE TO THIRD PARTY HAS TO BE AUTHORIZED BY Amphenol LTW.

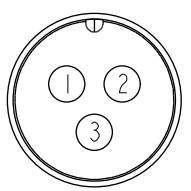
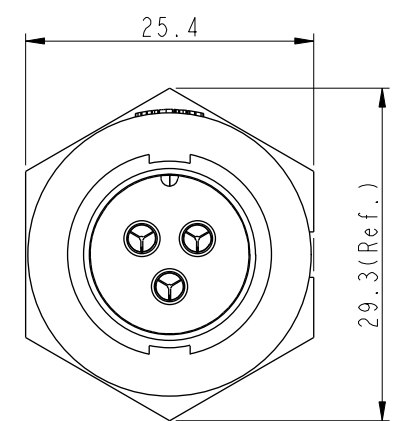
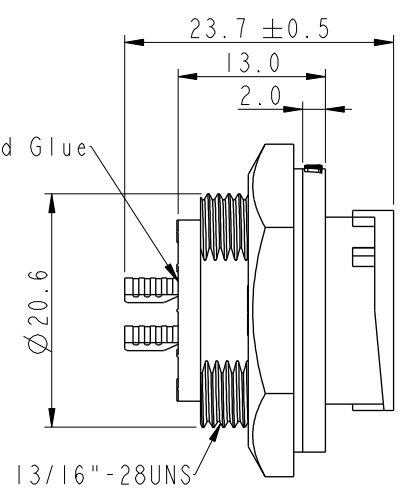
REV.	ECN NO.	DATE	SIGN	DESCRIPTION
B	C190348	2019/03/06	Vicky	Change Note



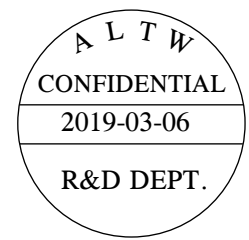
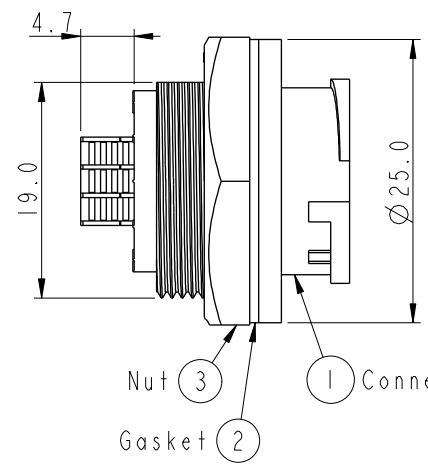
Recommended Panel
Cut-Out



With Liquid Glue



Pin Assignments
Front View



- Note:**
- * \varnothing Important Dimension To Check.
 - * Waterproof Rate: IP67, Unmated.
 - * Housing: Thermoplastic, Black.
 - * Pin: Copper Alloy, Gold Plated.
 - * Nut: Thermoplastic, Black.
 - * Gasket: Rubber, Gray.
 - * Maximum Panel Thickness: 4.0mm
 - * Gasket and Nut are packed separately in PE bags. (Gasket/Nut不組裝, 散裝出貨)

UNIT: mm TOLERANCE .X ±0.25 .XX ±0.1 .XXX ±0.05 ANGLES ±1°	TITLE MIDDLE PANEL LOCK 3P M CONN M PIN			Amphenol LTW 安費諾亮泰企業股份有限公司		ITEM NO ACC-03RMMS-LC7001	DRAWN BY Vicky	DATE 2019-03-06
	SCALE 3:2	SIZE A4	SHEET 1 OF 1			DWG NO ACC-03RMMS-LC7001	CHECKED BY Rita	DATE 2019-03-06
	REV. B	WC-REV. A.1	Inspection item	CUSTOMER ALTW	APPROVED BY Max	DATE 2019-03-06		
								8 W10814-03-#01A2