

ATLANTIC VERSION TERMINATOR INTERFACE ADAPTER	PART NUMBER	REVISION	DESCRIPTION	FEED TYPE	
	2266278-2	C	FINE CRIMP HEIGHT ADJUST	PNEUMATIC	SUPERSEDED BY 5-2151524-2
	2266278-5	C	FINE CRIMP HEIGHT ADJUST	SERVO LATCH PLATE	OBSOLETE
	2266278-6	C	NON-CRIMP HEIGHT ADJUST	SERVO LATCH PLATE	OBSOLETE
	2266278-7	C	FINE CRIMP HEIGHT ADJUST	NONE	OBSOLETE
	7-2266278-7	C	CRIMP TOOLING KIT	-	

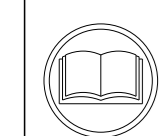
APPLICATOR DATA		
CRIMP	SIZE	TYPE
WIRE	1.07 mm [.042]	F
INSUL	1.27 mm [.050]	O

APPLICATOR INSTRUCTIONS 408-10389

TERMINAL DATA: TE TERMINAL		TE CRIMP SPECIFICATION	
TERMINAL NAME: NANO TERMINAL			
WIRE STRIP LENGTH		INSULATION DIAMETER RANGE	
3.50-3.80 mm [.138-.150 IN]		Ø0.95-1.30 mm [.037-.051 IN]	
TERMINAL APPLICATION SPECIFICATION	114-18858		
TERMINALS APPLIED			
TE TERMINAL	TE TERMINAL	TE TERMINAL	TE TERMINAL
2-1703930-1	2-1703930-2	2-1703930-3	

TERMINAL DATA: TE TERMINAL		TE CRIMP SPECIFICATION	
TERMINAL NAME: NANO TERMINAL			
WIRE STRIP LENGTH		INSULATION DIAMETER RANGE	
3.50-3.80 mm [.138-.150 IN]		Ø0.95-1.30 mm [.037-.051 IN]	
TERMINAL APPLICATION SPECIFICATION	114-94191		
TERMINALS APPLIED			
TE TERMINAL	TE TERMINAL	TE TERMINAL	TE TERMINAL
2177909-1	2177909-3	1-2177909-1	1-2177909-2
8-2177909-3			

WIRE SIZE	CRIMP HEIGHT mm [INCH]	CRIMP HEIGHT REFERENCE SETTING
0.35mm2	0.78 +/- 0.05 [.031 +/- .002]	9.6



- RECOMMENDED SPARE PARTS
- GREASE BEARING SURFACES LIGHTLY
- LUBRICATE DAILY PER THE APPLICATOR INSTRUCTION SHEET SUPPLIED WITH THE APPLICATOR.
- APPLICATOR SPECIFIC DATA TO BE ENTERED INTO BLANK MEMORY CHIP AT ASSEMBLY. SEE BELOW FOR PART NUMBER:
 PNEUMATIC FEED WITH "SMART APPLICATOR" CONVERSION: 8-2266278-4
 SERVO FEED WITH "FINE CRIMP HEIGHT ADJUST": 8-2266278-5
 SERVO FEED WITH "NON-CRIMP HEIGHT ADJUST": 8-2266278-6
- ADJUSTMENT OF THE STRIPPER MAY BE REQUIRED WHEN MOVING THE APPLICATOR BETWEEN BENCH AND LEADMAKER APPLICATIONS.
- APPLY PART NUMBER 1-23419-5 LOCTITE TO THREADS OF ITEMS 62 & 180. APPLY PART NUMBER 2-23419-6 LOCTITE TO THREADS OF ITEM 242. FOR -6 ONLY APPLY PART NUMBER 1-23419-5 LOCTITE TO THREADS OF ITEMS 37 & 180.
- GREASE THREADS, GROOVE AND O-RING ON ITEMS 35 & 252.
- MAGNET, ITEM 166 MUST BE ORIENTED CORRECTLY IN ORDER TO PROPERLY ACTUATE THE COUNTER.
- CRIMP HEIGHT REFERENCE SETTING WAS THE SETTING USED WHEN THE APPLICATOR WAS QUALIFIED AT THE FACTORY. ADJUSTMENT MAY BE NECESSARY WHEN RUNNING APPLICATOR IN THE FIELD.
- TERMINAL PITCH NOT COMPATIBLE WITH MECHANICAL FEED.
- THIS APPLICATOR DOES NOT CUT CARRIER STRIP.
- WHEN ASSEMBLING A NON CRIMP HEIGHT ADJUST APPLICATOR (-6) USE SHIMS FROM ITEM 260 TO ACHIEVE A NOMINAL SHIM HEIGHT OF 5.02.
- THIS APPLICATOR IS SPECIFIC FOR USE IN A STRIPPER SEAL TERMINATING UNIT.

***WARNING**
 ON INSTALLATION, SET WIRE DISC, ITEM 40 TO LARGEST WIRE SIZE SETTING. USE OF SETTINGS BELOW MINIMUM REQUIRED CRIMP HEIGHT SETTING WILL CAUSE DAMAGE TO CRIMP TOOLING.

-	1	1	1	1	18030-1	NUT, HEX, REG M3	280
-	1	1	1	1	811242-5	BUMPER, HOLD DOWN	279
-	-	1	-	-	2119957-2	APPLICATOR SHIM PACK	260
-	1	-	1	1	8-21084-0	O-RING, .676 ID, .070 DIA, MAT.	252
-	-	-	-	1	2119640-1	PUSH ROD, AIR FEED	250
-	-	-	-	1	1803259-1	BUSHING, FLANGED	249
-	-	-	-	1	2119641-1	FEED CAM, AIR FEED	248
-	1	-	1	1	2119798-1	DETENT PIN	247
-	1	-	1	1	1-22279-3	SPRING, COMPRESSION	246
-	-	1	-	-	2119758-1	RAM, AMP STYLE, SIDE FEED, NON-ADJ.	245
-	1	1	1	1	2119082-3	CAM, SNAIL, INSULATION ADJUSTMENT	244
-77	-7	-6	-5	-2	PART NO	DESCRIPTION	ITEM NO

ATLANTIC VERSION
 Shown on sheets 1 of 4 & 2 of 4
 (Pacific version shown on sheets 3 of 4 & 4 of 4)

SET UP GAUGE	LOC	DIST	REVISIONS					
2119599-1	A	66	P	LYR	DESCRIPTION	DATE	OWN	APVD
			C4		ECR-18-006838	03MAY2018	JAH	JDG

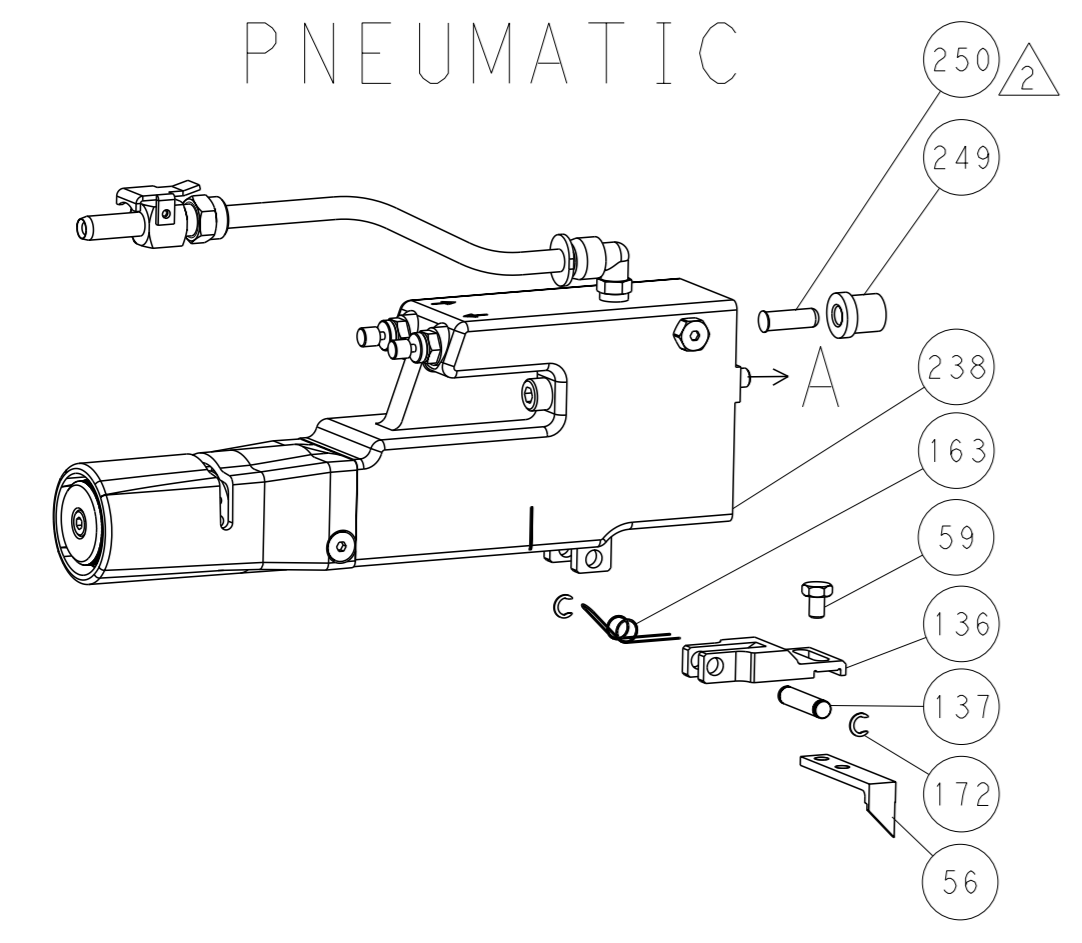
-	1	1	1	1	2079764-1	WASHER, WAVE SPRING, CREST-TO-CREST	243
-	1	1	1	1	2119083-1	RETAINER, INSULATION DIAL	242
-	-	2	2	-	2168400-6	SHCS, LOW HEAD, RoHS, M5 X 16	240
-	-	-	-	1	2063440-1	AIR FEED MODULE	238
-	-	1	1	-	2119740-2	TAG, IDENTIFICATION	213
-	-	1	1	-	1901094-3	SPACER, FEEDER	198
-	1	1	1	1	1-1752354-6	STANDOFF, HOLD-DOWN	180
-	1	1	1	1	993111-1	PIN, SLOTTED SPRING 3.0 X 20.0	177
-	1	1	1	1	5-22280-0	SPRING, COMPRESSION	176
-	1	1	1	1	1752353-3	GUIDE PIN, HOLDDOWN	175
-	1	1	1	1	1901680-2	GUIDE PIN, HOLDDOWN	174
-	-	-	-	2	21045-3	RING, RETAIN, EXTERN, 3/16 CRESCENT	172
-	1	1	1	1	994969-1	MAGNET, RARE EARTH HIGH ENERGY	166
-	REF	REF	REF	REF	994970-2	COUNTER, MAGNETIC	164
-	-	-	-	1	240638-1	SPRING, FEED FINGER	163
-	-	-	-	1	3-23627-7	PIN, RETAIN, GRVD, 3/16 X .854	137
-	-	-	-	1	2119799-1	HOLDER, FEED FINGER, AF	136
-	-	REF	REF	-	SEE NOTE 4	MEMORY CHIP, PROGRAMMED	135
-	-	1	1	-	1633743-1	SERVO FEED LATCH ASM	133
-	1	1	1	1	1-18028-2	WASHER, FLAT, REG M4	119
-	-	REF	REF	-	2119944-1	FEED FINGER ASSEMBLY, SF	117
-	1	1	1	1	1-22281-8	SPRING, COMPRESSION	98
-	1	1	1	1	2168083-6	SCR, SKT HD CAP, RoHS, M5 X 65	97
-	2	2	2	2	2168083-1	SCR, SKT HD CAP, RoHS, M3 X 8.0	96
-	1	1	1	1	1-690438-0	FRONT STRIP GUIDE	95
-	1	1	1	1	455888-5	SPACER, CRIMPER	82
-	1	1	1	1	2119956-1	DOCUMENTATION PACKAGE	71
-	1	1	1	1	2119791-9	DEPRESSOR, WIRE	70
-	1	-	-	1	2119740-1	TAG, IDENTIFICATION	67
-	2	2	2	2	2168078-1	SCREW, DRIVE, RH, RoHS, 2 x .188	66
-	1	-	1	1	2119793-1	LIMITER, ADJUSTMENT BOLT	63
-	3	-	3	3	992763-5	SCR, SET, SOC, CONE PNT, M3 X 4.0	62
-	1	1	1	1	2079383-4	SCR, BHSC, RoHS (M4 X 8)	60
-	-	-	-	1	5-18022-5	SCR, HEX HD CAP, M4 X 6.0	59
-	-	-	-	1	1338685-1	PAWL, FEED	56
-	4	4	4	4	2168400-1	SHCS, LOW HEAD, RoHS, M4 X 12	54
-	2	2	2	2	2168083-8	SCR, SKT HD CAP, RoHS, M4 X 16	53
-	1	1	1	1	1-5018030-0	NUT, HEX, REG, RoHS, M3.5	52
-	1	1	1	1	4-1722335-3	STRIPPER, SIDE FEED	51
-	1	1	1	1	690753-2	SPACER, TONKER	50
-	-	-	-	1	18023-9	SCR, SKT HD CAP M4 X 6.0	49
-	1	1	1	1	2-2119656-1	APPLICATOR BASIC ASSEMBLY, SF	46
-	1	-	1	1	2119370-1	RAM, AMP STYLE, SIDE FEED	44
-	1	1	1	1	2079383-7	SCR, BHSC, RoHS (M8 X 25)	41
-	1	-	1	1	2119645-1	DISC, NUMBERED FA WIRE ADJUSTMENT	40
-	1	-	1	1	2119957-1	APPLICATOR SHIM PACK	39
-	1	1	1	1	2119644-1	RAM WASHER, PRECISION	38
-	1	1	1	1	2119085-1	FA HEAD, ATLANTIC STYLE	37
-	1	1	1	1	2-18032-5	SCR, SET, FLT PNT, M5 X 20.0	36
-	1	-	1	1	2119092-1	BOLT, ADJUSTMENT	35
-	1	1	1	1	1752356-1	SUPPORT, TERMINAL	34
-	2	2	2	2	2079383-5	SCR, BHSC, RoHS (M4 X 20)	33
-	1	1	1	1	2161328-1	HEX HEAD, FLANGED, M5 X 8mm LONG	32
-	1	1	1	1	2-1722335-1	Thread bolt Gewindebolzen	31
-	1	1	1	1	1320908-2	SPACER, STRIP GUIDE	30
-	1	1	1	1	1901086-1	PLATE, STRIP GUIDE	29
-	2	2	2	2	22283-1	SPRING, COMPRESSION	27
-	1	1	1	1	356835-1	LEVER, DRAG RELEASE	26
-	1	1	1	1	1803142-1	DRAG, TERMINAL	25
-	1	1	1	1	1320928-2	STRIP GUIDE	24
-	1	1	1	1	980371-4	SCR, SKT HD SHLDR 5.0 DIA X 6.0	23
-	1	1	1	1	3-22280-3	SPRING, COMPRESSION	12
-	1	1	1	1	2-519000-1	SCR, SKT HD CAP M4 X 10.0	11
-	1	1	1	1	2119805-1	SHEAR HOLDER, FRONT	10
-	1	1	1	1	1803095-7	FLOATING SHEAR, FRONT	9
1	1	1	1	1	6-1633620-7	ANVIL, COMBINATION	8
-	1	1	1	1	240641-1	SPACER	7
-	-	-	-	-	-	-	6
-	1	1	1	1	2119757-8	DEPRESSOR, SHEAR	5
-	1	1	1	1	3-238011-8	BLOCK, CRIMPER SPACER	4
1	1	1	1	1	1803143-6	CRIMPER, INSULATION O	3
-	-	-	-	-	-	-	2
1	1	1	1	1	2-1333281-7	CRIMPER, WIRE PREMIUM	1
-77	-7	-6	-5	-2	PART NO	DESCRIPTION	ITEM NO

DIMENSIONS:		TOLERANCES UNLESS OTHERWISE SPECIFIED:		OWN		NAME	
mm	0 PLC ±	1 PLC ±	2 PLC ±	3 PLC ±	4 PLC ±	APVD	NAME
	ANGLES FINISH	-		Y. YIN	24APR2014	G. BAILEY	24APR2014
MATERIAL	WEIGHT	-		U. GUO	24APR2014	Ocean Side Feed Applicator	
	SCALE	1:2		Customer Accessible Production Drawing		SHEET 1 of 4 REV C4	

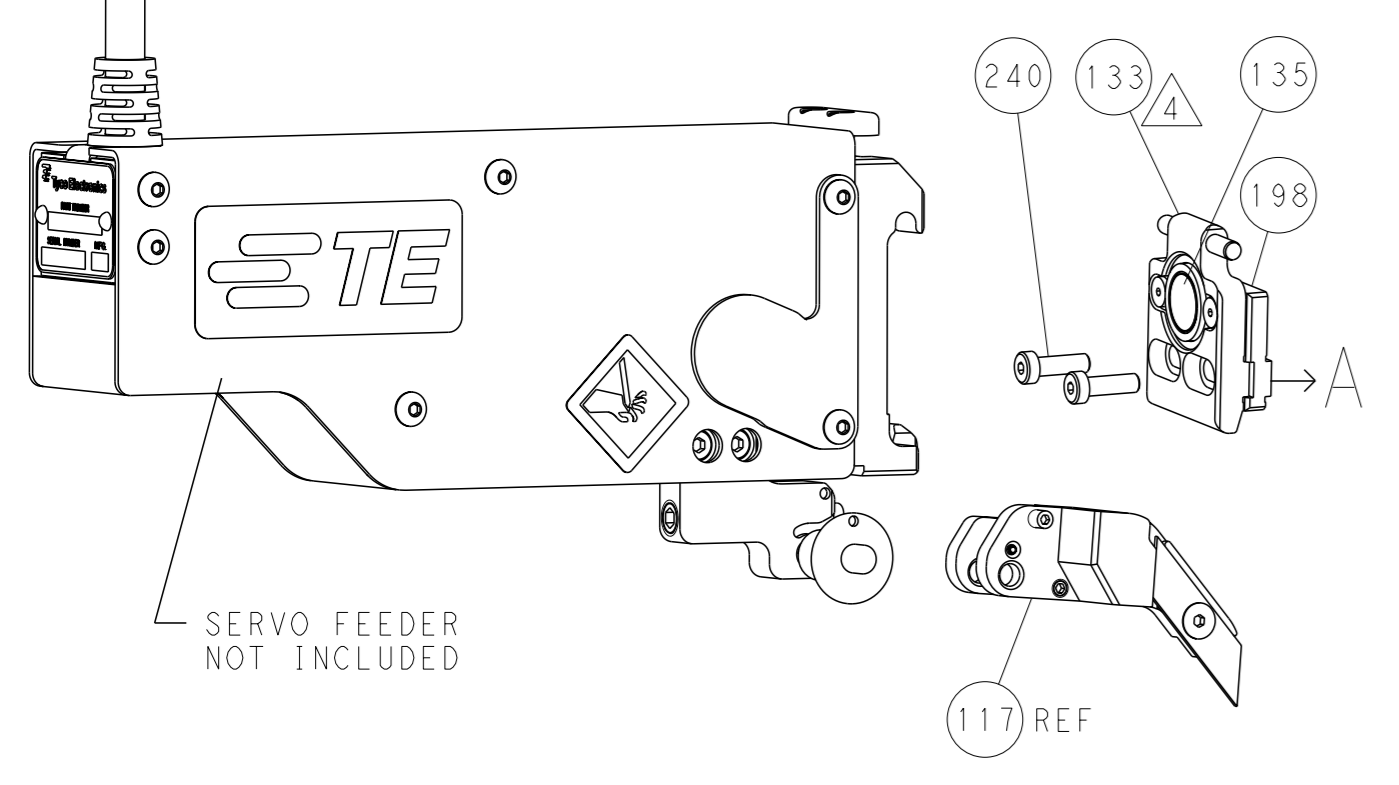
LOC	DIST	REVISIONS			
		REV	DATE	BY	APPV
A	66	-	SEE SHEET 1	-	-

FEED TYPE

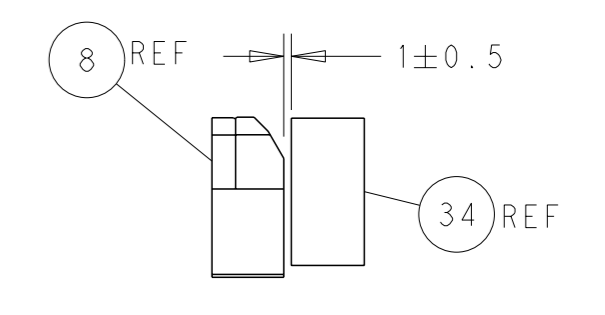
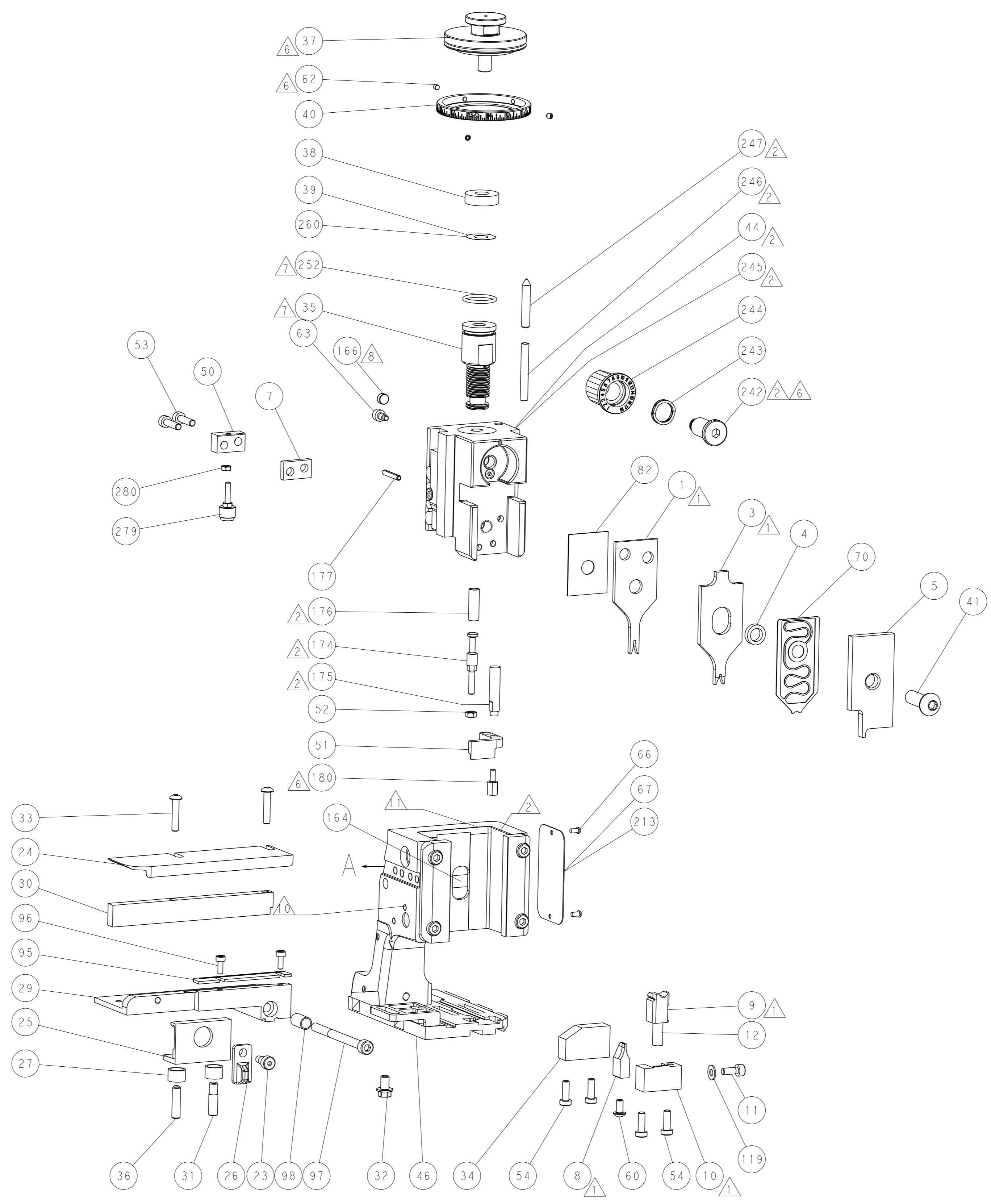
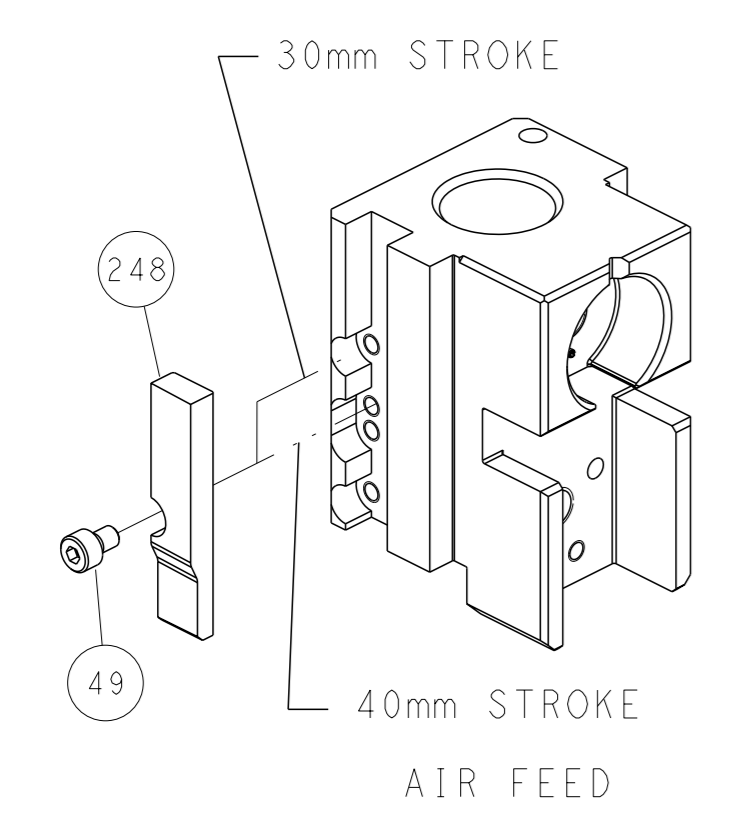
PNEUMATIC



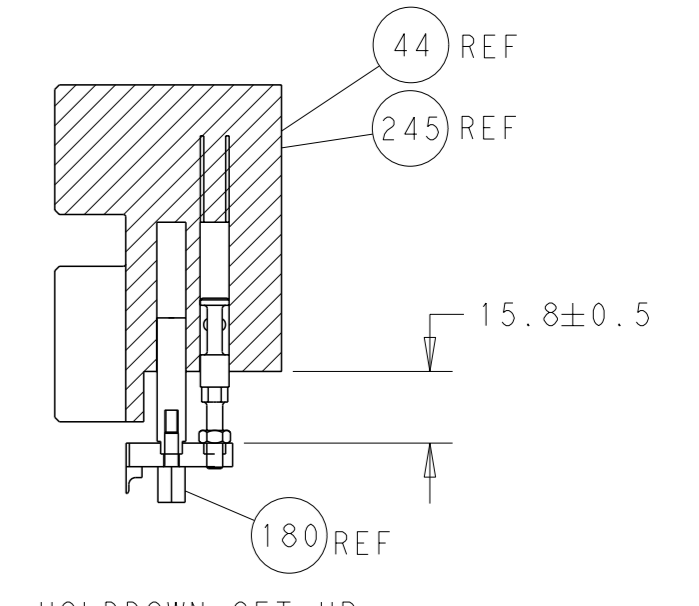
SERVO LATCH PLATE



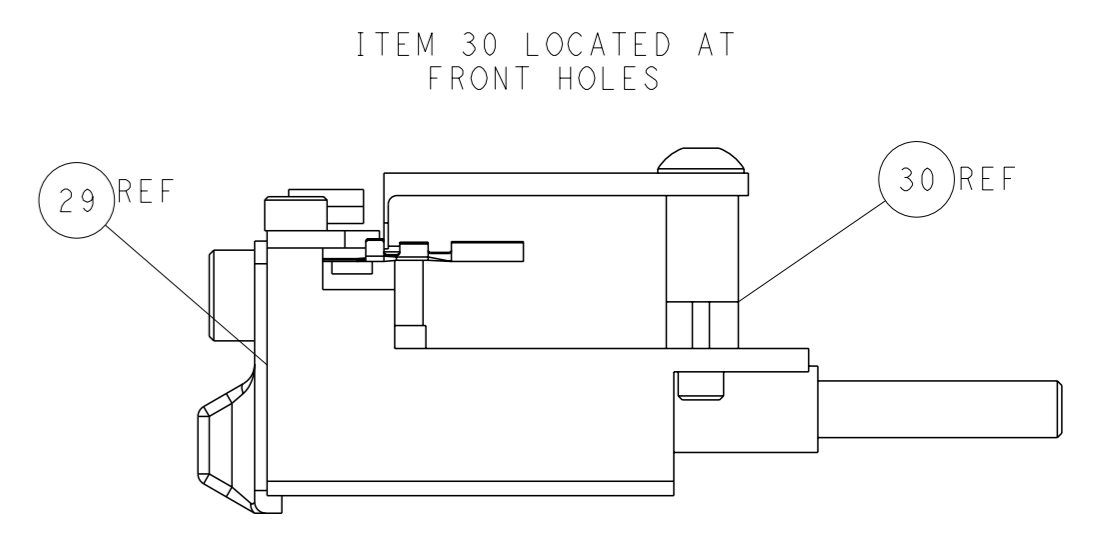
CAM POSITION



TERMINAL SUPPORT LOCATION



HOLDDOWN SET-UP



FEED TRACK POSITION GUIDE BY INSULATION BARREL

ATLANTIC VERSION
 Shown on sheets 1 of 4 & 2 of 4
 (Pacific version shown on sheets 3 of 4 & 4 of 4)

DIMENSIONS: mm 		TOLERANCES UNLESS OTHERWISE SPECIFIED: 0 PLC ± 1 PLC ± 2 PLC ± 3 PLC ± 4 PLC ± ANGLES ± FINISH ±		DWN Y. YIN 24APR2014 CHK G. BAILEY 24APR2014 APVD U. GUO 24APR2014 NAME Ocean Side Feed Applicator SIZE CAGE CODE DRAWING NO. RESTRICTED TO A1 00779 C=2266278 WEIGHT - SCALE 1:2 SHEET 2 OF 4 REV C4	
MATERIAL: -				Customer Accessible Production Drawing	

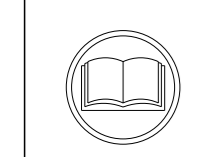
PACIFIC VERSION TERMINATOR INTERFACE ADAPTER	PART NUMBER	REVISION	DESCRIPTION	FEED TYPE	
	2-2266278-2	C	FINE CRIMP HEIGHT ADJUST	PNEUMATIC	OBSELETE
	2-2266278-5	C	FINE CRIMP HEIGHT ADJUST	SERVO LATCH PLATE	OBSELETE
	2-2266278-7	C	FINE CRIMP HEIGHT ADJUST	NONE	OBSELETE
	7-2266278-7	C	CRIMP TOOLING KIT	-	

APPLICATOR DATA		
CRIMP	SIZE	TYPE
WIRE	1.07 mm (.042)	F
INSUL	1.27 mm (.050)	O
APPLICATOR INSTRUCTIONS 408-10389		

TERMINAL DATA: TE TERMINAL		TE CRIMP SPECIFICATION	
TERMINAL NAME: NANO TERMINAL			
WIRE STRIP LENGTH		INSULATION DIAMETER RANGE	
3.50-3.80 mm (.138-.150 IN)		Ø0.95-1.30 mm (.037-.051 IN)	
TERMINAL APPLICATION SPECIFICATION	114-18858	-	-
TERMINALS APPLIED			
TE TERMINAL	TE TERMINAL	TE TERMINAL	TE TERMINAL
2-1703930-1	2-1703930-2	2-1703930-3	

TERMINAL DATA: TE TERMINAL		TE CRIMP SPECIFICATION	
TERMINAL NAME: NANO TERMINAL			
WIRE STRIP LENGTH		INSULATION DIAMETER RANGE	
3.50-3.80 mm (.138-.150 IN)		Ø0.95-1.30 mm (.037-.051 IN)	
TERMINAL APPLICATION SPECIFICATION	114-94191	-	-
TERMINALS APPLIED			
TE TERMINAL	TE TERMINAL	TE TERMINAL	TE TERMINAL
2177909-1	2177909-3	1-2177909-1	1-2177909-2
8-2177909-3			

WIRE SIZE	CRIMP HEIGHT mm [INCH]	CRIMP HEIGHT REFERENCE SETTING
0.35mm2	0.78 +/- 0.05 [.031 +/- .002]	9.6



- RECOMMENDED SPARE PARTS
- GREASE BEARING SURFACES LIGHTLY
- 3. LUBRICATE DAILY PER THE APPLICATOR INSTRUCTION SHEET SUPPLIED WITH THE APPLICATOR.
- APPLICATOR SPECIFIC DATA TO BE ENTERED INTO BLANK MEMORY CHIP AT ASSEMBLY. SEE BELOW FOR PART NUMBER:
PNEUMATIC FEED WITH "SMART APPLICATOR" CONVERSION: 8-2266278-4
SERVO FEED WITH "FINE CRIMP HEIGHT ADJUST": 8-2266278-5
- 5. ADJUSTMENT OF THE STRIPPER MAY BE REQUIRED WHEN MOVING THE APPLICATOR BETWEEN BENCH AND LEADMAKER APPLICATIONS.
- APPLY PART NUMBER 1-23419-5 LOCTITE TO THREADS OF ITEMS 62 & 180. APPLY PART NUMBER 2-23419-6 LOCTITE TO THREADS OF ITEM 242.
- GREASE THREADS, GROOVE AND O-RING ON ITEMS 139 & 152.
- MAGNET MUST BE ORIENTED CORRECTLY IN ORDER TO PROPERLY ACTUATE THE COUNTER.
- CRIMP HEIGHT REFERENCE SETTING WAS THE SETTING USED WHEN THE APPLICATOR WAS QUALIFIED AT THE FACTORY. ADJUSTMENT MAY BE NECESSARY WHEN RUNNING APPLICATOR IN THE FIELD.
- TERMINAL PITCH NOT COMPATIBLE WITH MECHANICAL FEED.
- THIS APPLICATOR DOES NOT CUT CARRIER STRIP.
- 12. THIS APPLICATOR IS SPECIFIC FOR USE IN A STRIPPER SEAL TERMINATING UNIT.

***WARNING**
ON INSTALLATION, SET WIRE DISC, ITEM 40 TO LARGEST WIRE SIZE SETTING. USE OF SETTINGS BELOW MINIMUM REQUIRED CRIMP HEIGHT SETTING WILL CAUSE DAMAGE TO CRIMP TOOLING.

-	1	1	1	18030-1	NUT, HEX, REG M3	280
-	1	1	1	811242-5	BUMPER, HOLD DOWN	279
-	1	1	1	2119782-1	FINE ADJUST HEAD ASM, PACIFIC STYLE	251
-	-	-	1	2119640-1	PUSH ROD, AIR FEED	250
-	-	-	1	1803259-1	BUSHING, FLANGED	249
-	1	1	1	1-22279-3	SPRING, COMPRESSION	246
-	1	1	1	2119082-3	CAM, SNAIL, INSULATION ADJUSTMENT	244
-	1	1	1	2079764-1	WASHER, WAVE SPRING, CREST-TO-CREST	243
	-	1	1	2119083-1	RETAINER, INSULATION DIAL	242
-77	-27	-25	-22	PART NO	DESCRIPTION	ITEM NO

PACIFIC VERSION
Shown on sheets 3 of 4 & 4 of 4
(Atlantic version shown on sheets 1 of 4 & 2 of 4)

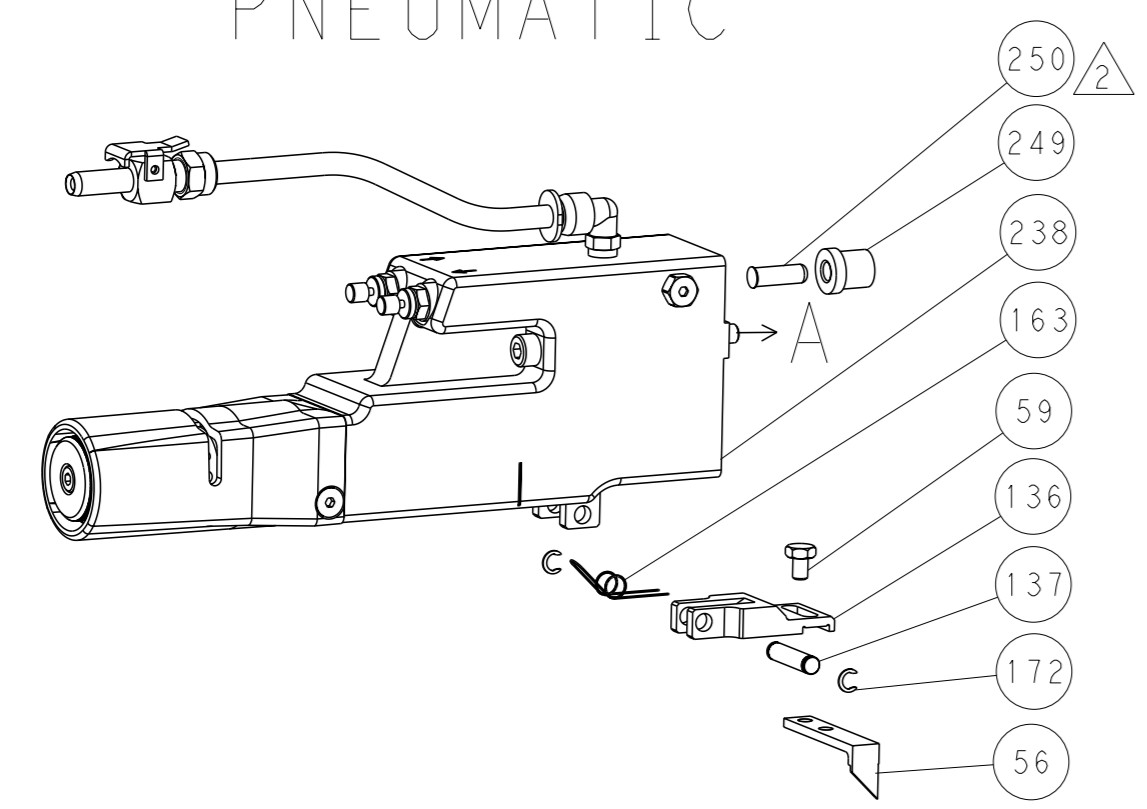
SET UP GAUGE	LOC	DIST	REVISIONS			
2119599-1	A	66	#	DATE	OWN	APVD
			-	SEE SHEET 1	-	-

-	-	2	-	2168400-6	SHCS, LOW HEAD, RoHS, M5 X 16	240	
-	-	-	1	2063440-1	AIR FEED MODULE	238	
-	-	-	1	2119740-2	TAG, IDENTIFICATION	213	
-	-	-	1	1901094-3	SPACER, FEEDER	198	
	-	1	1	1-1752354-6	STANDOFF, HOLD-DOWN	180	
-	1	1	1	993111-1	PIN, SLOTTED SPRING 3.0 X 20.0	177	
-	1	1	1	5-22280-0	SPRING, COMPRESSION	176	
-	1	1	1	1752353-3	GUIDE PIN, HOLDDOWN	175	
-	1	1	1	1901680-2	GUIDE PIN, HOLDDOWN	174	
-	-	-	2	21045-3	RING, RETAIN, EXTERN, 3/16 CRESCENT	172	
	-	1	1	994969-1	MAGNET, RARE EARTH HIGH ENERGY	166	
-	REF	REF	REF	994970-2	COUNTER, MAGNETIC	164	
-	-	-	1	240638-1	SPRING, FEED FINGER	163	
	-	1	1	8-21084-1	O-RING, .801 ID, .070 DIA. MAT.	152	
-	-	-	1	2119641-2	FEED CAM, AIR FEED	151	
-	1	1	1	2119798-2	DETENT PIN	145	
-	1	1	1	2079383-8	SCR, BHSC, RoHS (M4 X 16)	144	
-	4	4	4	2168400-5	SHCS, LOW HEAD, RoHS, M4 X 20	143	
-	1	1	1	2-2119656-2	APPLICATOR BASIC ASSEMBLY, SF	141	
-	1	1	1	2119650-1	RAM, ASIAN STYLE, SIDE FEED	140	
	-	1	1	2119092-2	BOLT, ADJUSTMENT	139	
-	-	-	1	3-23627-7	PIN, RETAIN, GRVD, 3/16 X .854	137	
-	-	-	1	2119799-1	HOLDER, FEED FINGER, AF	136	
-	-	REF	-	SEE NOTE 4	MEMORY CHIP, PROGRAMMED	135	
-	-	-	1	1633743-1	SERVO FEED LATCH ASM	133	
-	1	1	1	1-18028-2	WASHER, FLAT, REG M4	119	
-	-	REF	-	2119944-1	FEED FINGER ASSEMBLY, SF	117	
-	1	1	1	1-22281-8	SPRING, COMPRESSION	98	
-	1	1	1	2168083-6	SCR, SKT HD CAP, RoHS, M5 X 6.5	97	
-	2	2	2	2168083-1	SCR, SKT HD CAP, RoHS, M3 X 8.0	96	
-	1	1	1	1-690438-0	FRONT STRIP GUIDE	95	
-	1	1	1	455888-5	SPACER, CRIMPER	82	
-	1	1	1	2119956-1	DOCUMENTATION PACKAGE	71	
-	1	1	1	2119791-9	DEPRESSOR, WIRE	70	
-	1	-	1	2119740-1	TAG, IDENTIFICATION	67	
-	2	2	2	2168078-1	SCREW, DRIVE, RH, RoHS, 2 x .188	66	
-	1	1	1	2119793-1	LIMITER, ADJUSTMENT BOLT	63	
	-	3	3	992763-5	SCR, SET, SOC, CONE PNT, M3 X 4.0	62	
-	-	-	1	5-18022-5	SCR, HEX HD CAP, M4 X 6.0	59	
-	-	-	1	1338685-1	PAWL, FEED	56	
-	2	2	2	2168083-8	SCR, SKT HD CAP, RoHS, M4 X 16	53	
-	1	1	1	1-5018030-0	NUT, HEX, REG, RoHS, M3.5	52	
-	1	1	1	4-1722335-3	STRIPPER, SIDE FEED	51	
-	1	1	1	690753-2	SPACER, TONKER	50	
-	-	-	1	18023-9	SCR, SKT HD CAP M4 X 6.0	49	
-	1	1	1	2079383-7	SCR, BHSC, RoHS (M8 X 25)	41	
-	1	1	1	2119645-1	DISC, NUMBERED FA WIRE ADJUSTMENT	40	
-	1	1	1	2119957-1	APPLICATOR SHIM PACK	39	
-	1	1	1	2119644-1	RAM WASHER, PRECISION	38	
-	1	1	1	2-18032-5	SCR, SET, FLT PNT, M5 X 20.0	36	
-	1	1	1	1752356-1	SUPPORT, TERMINAL	34	
-	2	2	2	2079383-5	SCR, BHSC, RoHS (M4 X 20)	33	
-	1	1	1	2161328-1	HEX HEAD, FLANGED, M5 X 8mm LONG	32	
-	1	1	1	2-1722335-1	Thread bolt Gewindebolzen	31	
-	1	1	1	1320908-2	SPACER, STRIP GUIDE	30	
-	1	1	1	1901086-1	PLATE, STRIP GUIDE	29	
-	2	2	2	22283-1	SPRING, COMPRESSION	27	
-	1	1	1	356835-1	LEVER, DRAG RELEASE	26	
-	1	1	1	1803142-1	DRAG, TERMINAL	25	
-	1	1	1	1320928-2	STRIP GUIDE	24	
-	1	1	1	980371-4	SCR, SKT HD SHLDR 5.0 DIA X 6.0	23	
-	1	1	1	3-22280-3	SPRING, COMPRESSION	12	
-	1	1	1	2-519000-1	SCR, SKT HD CAP M4 X 10.0	11	
	-	1	1	2119805-1	SHEAR HOLDER, FRONT	10	
	-	1	1	1803095-7	FLOATING SHEAR, FRONT	9	
	1	1	1	1	6-1633620-7	ANVIL, COMBINATION	8
-	1	1	1	240641-1	SPACER	7	
-	-	-	-	-	-	6	
-	1	1	1	2119757-8	DEPRESSOR, SHEAR	5	
-	1	1	1	3-238011-8	BLOCK, CRIMPER SPACER	4	
	1	1	1	1	1803143-6	CRIMPER, INSULATION O	3
-	-	-	-	-	-	2	
	1	1	1	1	2-1333281-7	CRIMPER, WIRE PREMIUM	1
-77	-27	-25	-22	PART NO	DESCRIPTION	ITEM NO	

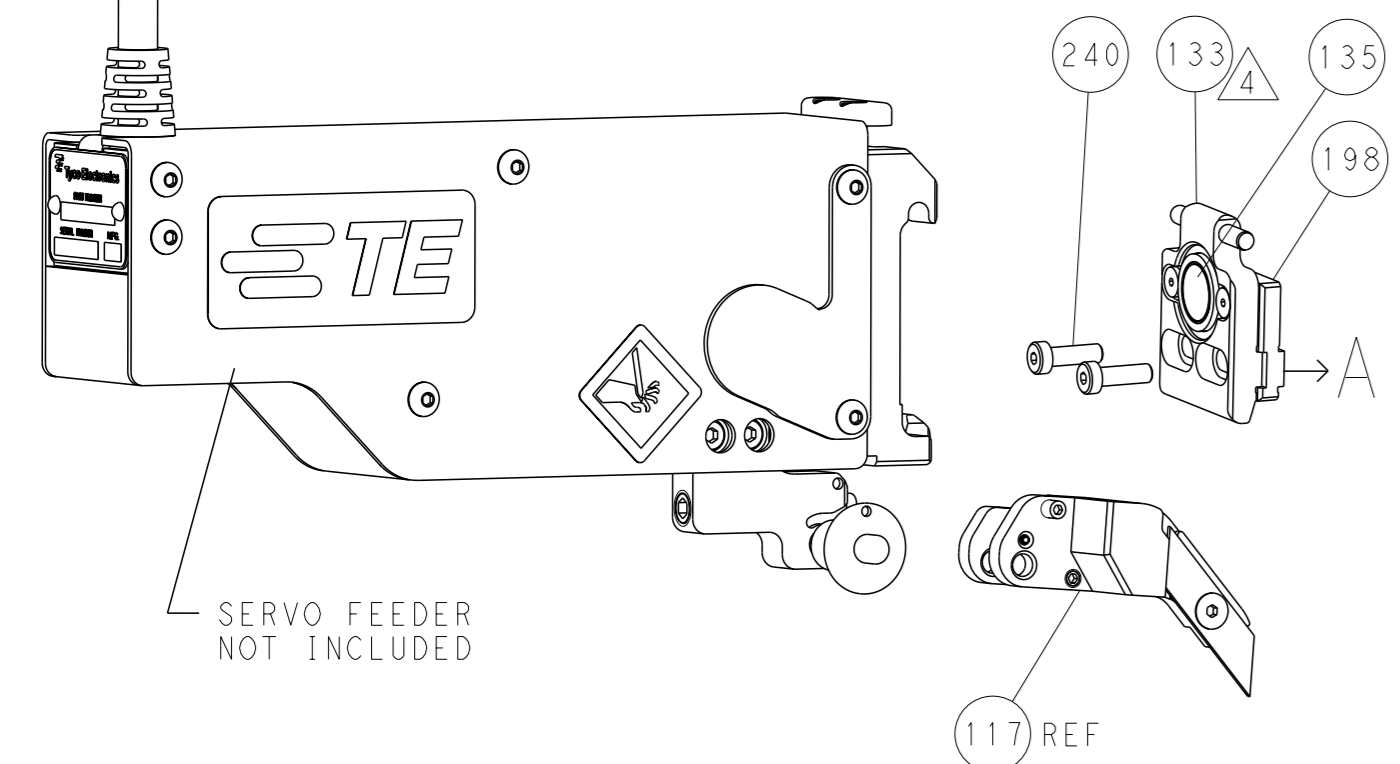
DIMENSIONS:		TOLERANCES UNLESS OTHERWISE SPECIFIED:		DRAWING NO		NAME	
mm	0 PLC ±	1 PLC ±	2 PLC ±	3 PLC ±	4 PLC ±	ANGLE FINISH	★
MATERIAL				WEIGHT	SCALE	SHEET	REV
Customer Accessible Production Drawing				1:2	3 of 4	C4	

LOC		DIST		REVISIONS			
A	66	P	LYR	DESCRIPTION	DATE	OWN	APVD
		-		SEE SHEET 1			

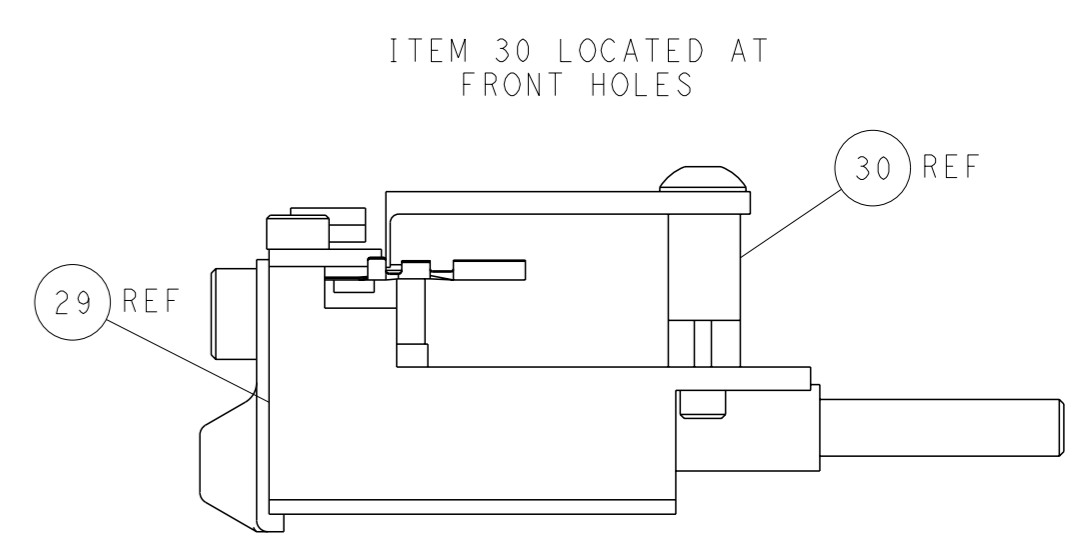
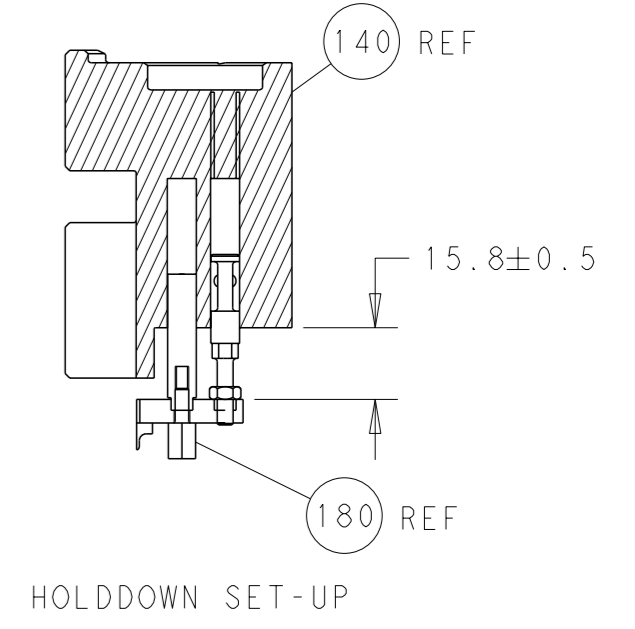
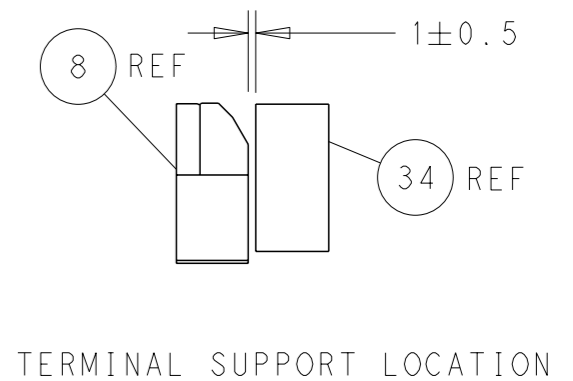
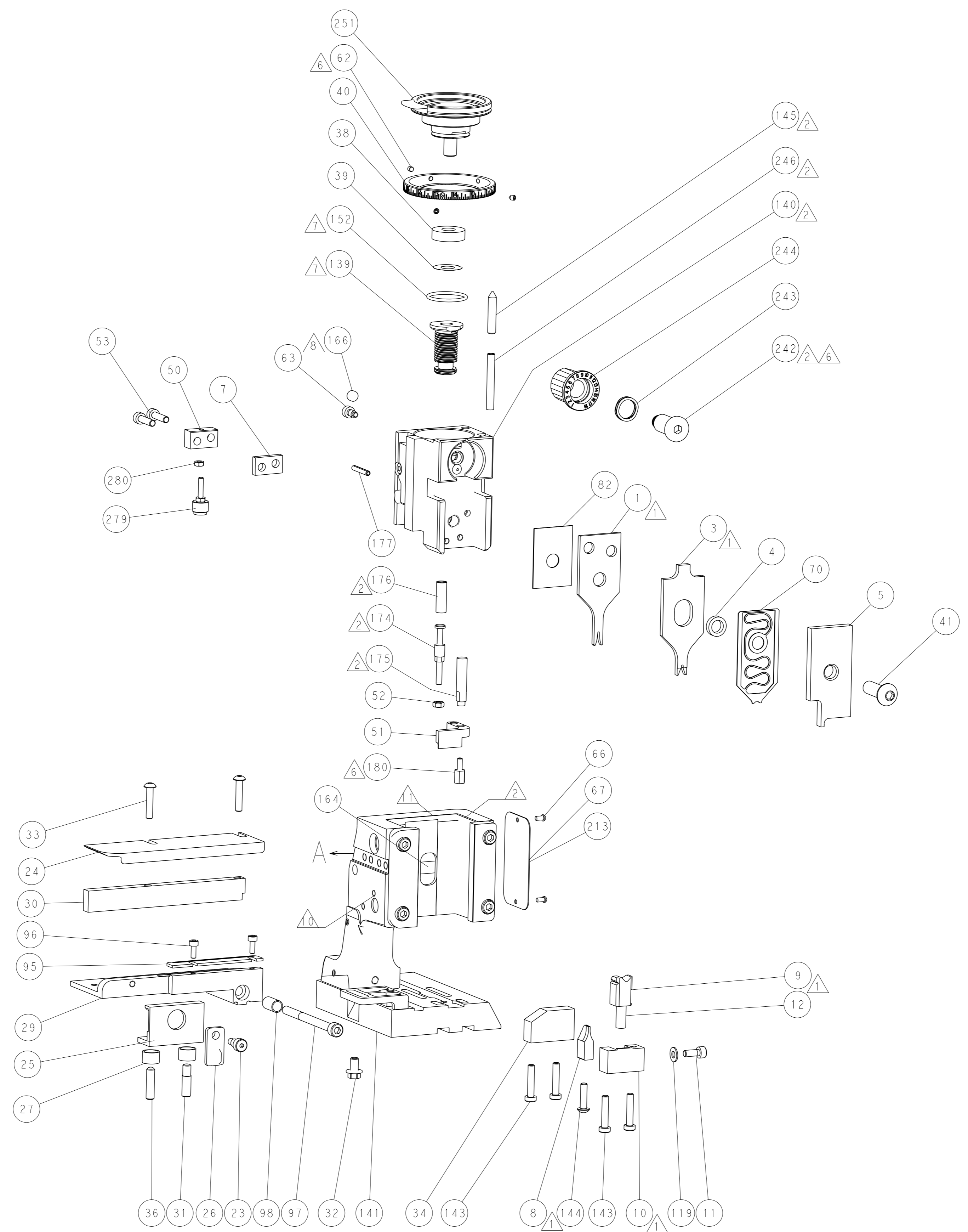
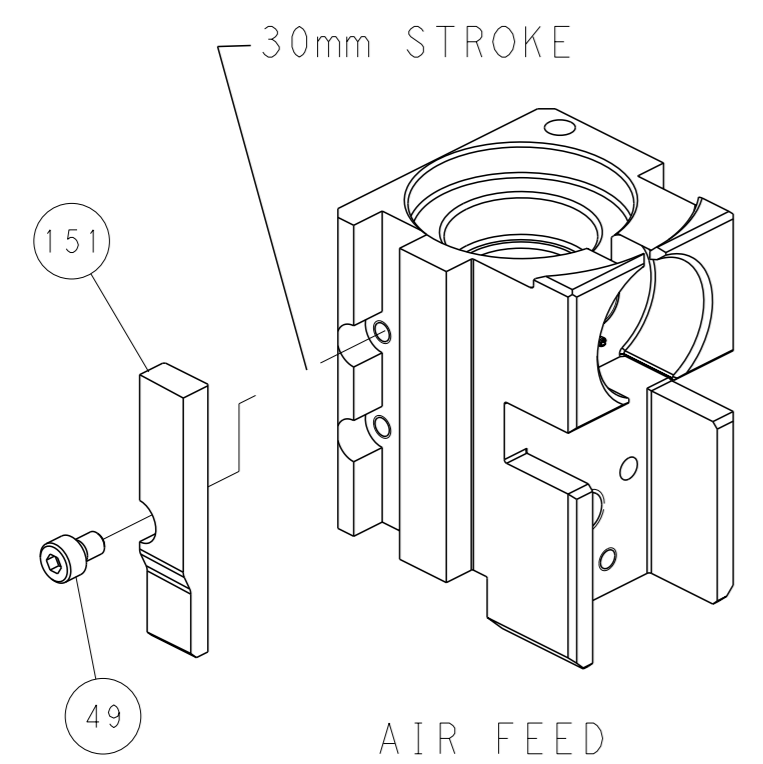
FEED TYPE PNEUMATIC



SERVO LATCH PLATE



CAM POSITION



PACIFIC VERSION
 Shown on sheets 3 of 4 & 4 of 4
 (Atlantic version shown on sheets 1 of 4 & 2 of 4)

<small>THIS DRAWING IS A CONTROLLED DOCUMENT FOR TYCO ELECTRONICS CORPORATION. IT IS SUBJECT TO CHANGE AND THE CONTROLLER'S ENGINEERING DEPARTMENT SHOULD BE CONTACTED FOR THE LATEST REVISION.</small>		DWN Y. YIN 24APR2014 CHK G. BAILEY 24APR2014 APVD U. GUO 24APR2014	STE TE Connectivity Harrisburg, PA 17105-3608
DIMENSIONS: mm TOLERANCES UNLESS OTHERWISE SPECIFIED: 0 PLC ± 1 PLC ± 2 PLC ± 3 PLC ± 4 PLC ± ANGLES FINISH ±		NAME Ocean Side Feed Applicator SIZE CAGE CODE DRAWING NO. A1 00779 C=2266278 WEIGHT - SCALE 1:2 SHEET 4 OF 4 REV 4	RESTRICTED TO
MATERIAL:		Customer Accessible Production Drawing	SHEETS 1 & 2 ARE NOT REQUIRED FOR PACIFIC VERSION