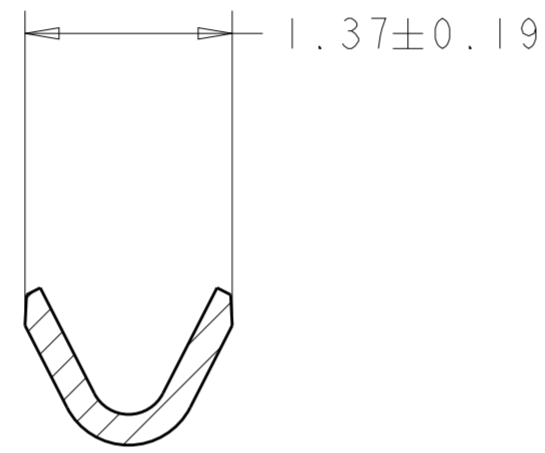
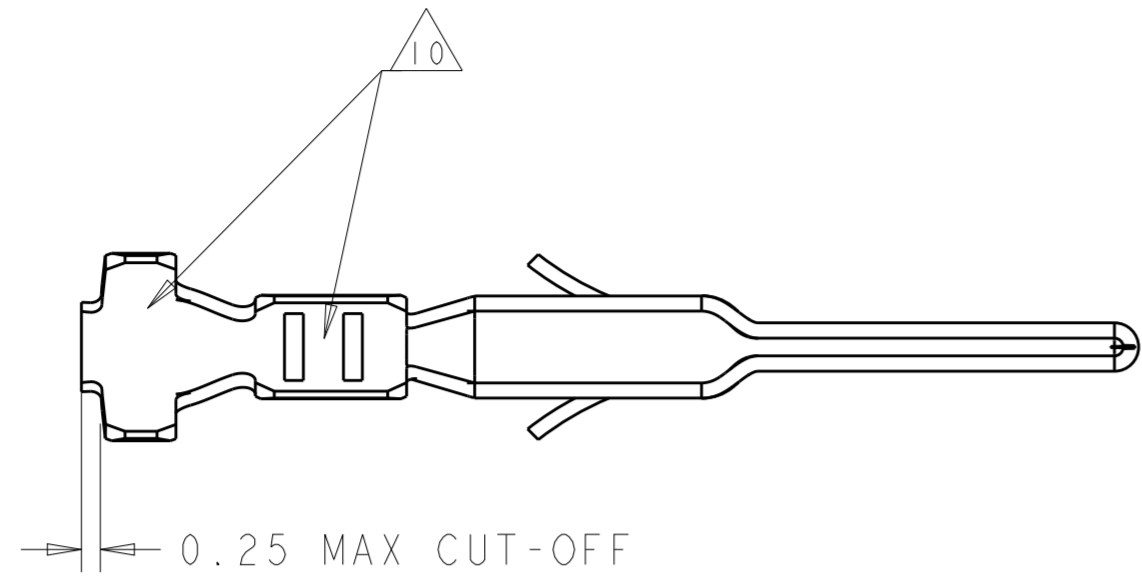
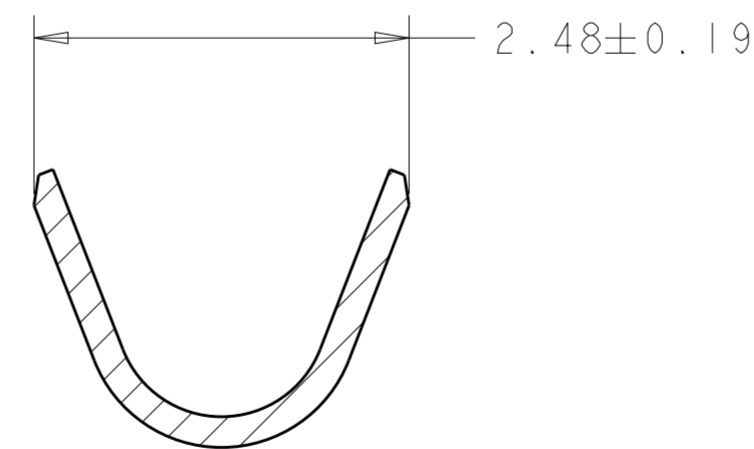
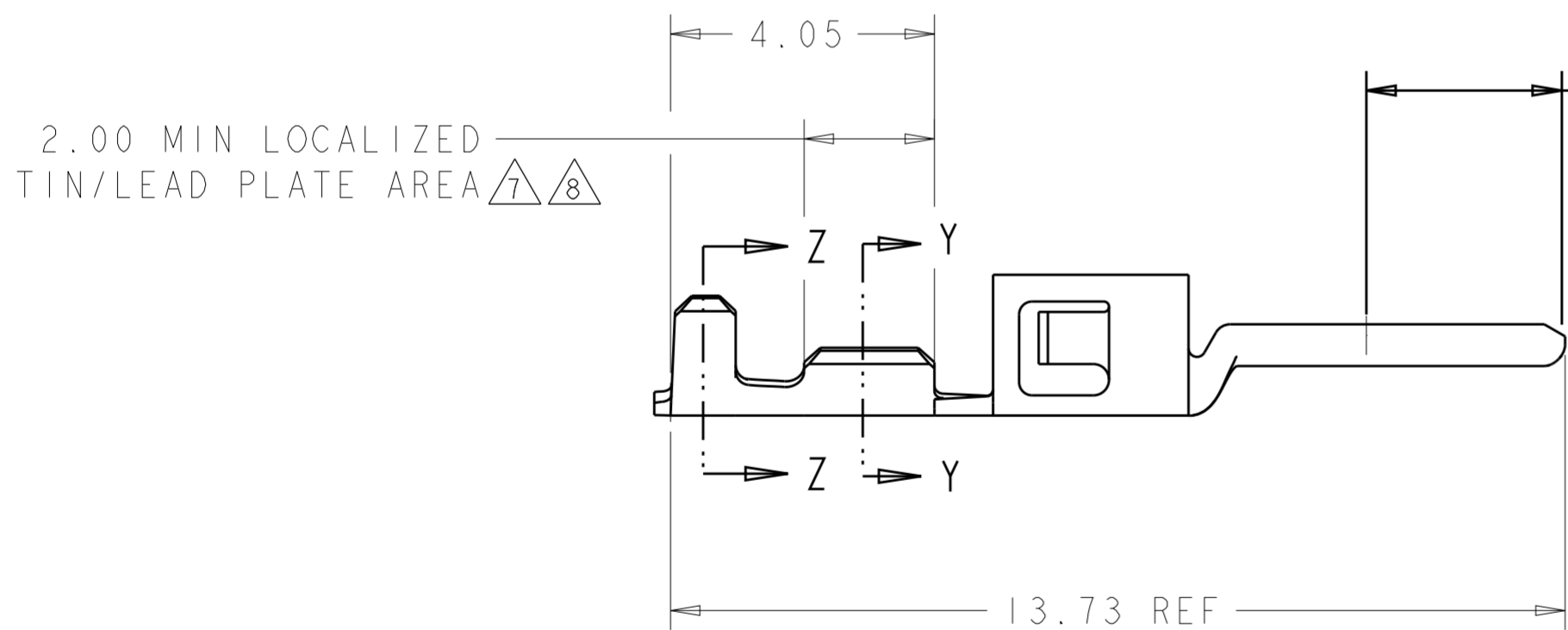


THIS DRAWING IS UNPUBLISHED. RELEASED FOR PUBLICATION 20
 © COPYRIGHT 20 BY - ALL RIGHTS RESERVED.

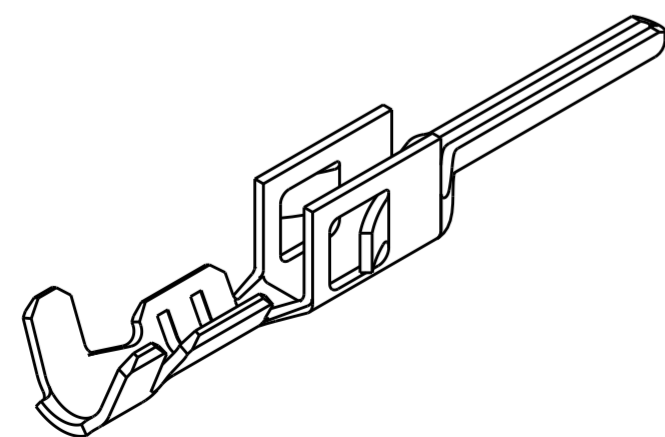
| LOC | DIST | REVISIONS | | | | | |
|-----|------|-----------|-----|---------------------------|-----------|-----|------|
| CM | 00 | P | LTR | DESCRIPTION | DATE | DWN | APVD |
| | | B5 | | REVISED PER ECO-19-013973 | 16SEP2019 | RS | WLS |
| | | C | | REVISED PER ECO-20-013993 | 01OCT2020 | WLS | VS |



SECTION Y-Y
SCALE 20:1



SECTION Z-Z
SCALE 20:1



- ① 2.5 μm MIN BRIGHT TIN/LEAD ENTIRE STOCK OVER 1.27 μm MIN NICKEL ENTIRE STOCK.
- ② 0.38 μm MIN GOLD IN LOCALIZED GOLD PLATE AREA, 2.5 μm MIN BRIGHT TIN/LEAD IN LOCALIZED TIN/LEAD PLATE AREA, BOTH OVER 1.27 μm MIN NICKEL ON ENTIRE STOCK.
- ③ 0.76 μm MIN GOLD IN LOCALIZED GOLD PLATE AREA, 2.5 μm MIN BRIGHT TIN/LEAD IN LOCALIZED TIN/LEAD PLATE AREA, BOTH OVER 1.27 μm MIN NICKEL ON ENTIRE STOCK.
- 4. WIRE RANGE 26-30 AWG.
- 5. INSULATION RANGE 0.89-1.52
- ⑥ 2.5 μm MIN BRIGHT TIN ENTIRE STOCK OVER 1.27 μm MIN NICKEL ENTIRE STOCK.
- ⑦ 0.38 μm MIN GOLD IN LOCALIZED GOLD PLATE AREA, 2.5 μm MIN BRIGHT TIN IN LOCALIZED TIN PLATE AREA, BOTH OVER 1.27 μm MIN NICKEL ON ENTIRE STOCK.
- ⑧ 0.76 μm MIN GOLD IN LOCALIZED GOLD PLATE AREA, 2.5 μm MIN BRIGHT TIN IN LOCALIZED TIN PLATE AREA, BOTH OVER 1.27 μm MIN NICKEL ON ENTIRE STOCK.
- ⑨ NOTE DELETED.
- ⑩ TIN PLATING THICKNESS INSIDE WIRE AND INSULATION BARRELS TO BE 1.27 μm MIN.

| REMARKS | FINISH | PART NUMBER |
|--------------------------|--------------|---------------------|
| | ⑧ | 1-794613-2 |
| | ⑦ | 1-794613-1 |
| | ⑥ | 1-794613-0 |
| SUPERSEDED BY 1-794613-2 | ③ | 794613-3 |
| SUPERSEDED BY 1-794613-1 | ② | 794613-2 |
| SUPERSEDED BY 1-794613-0 | ① | 794613-1 |

| | | | | | | |
|---|--|--|------------------|-----------------------|------------------------|---------------|
| THIS DRAWING IS A CONTROLLED DOCUMENT. | | DWN W J RUDY 29AUG2000 | TE Connectivity | | | |
| DIMENSIONS: mm | | CHK W DAVIS 29AUG2000 | | | | |
| TOLERANCES UNLESS OTHERWISE SPECIFIED: | | APVD W DAVIS 29AUG2000 | | | | |
| 0 PLC ± 1 PLC ± 2 PLC ±0.13 3 PLC ± 4 PLC ± ANGLES ± FINISH ± | | NAME PLUG CONTACT, CRIMP SNAP, 26-30 AWG, LOOSE PIECE, MICRO MATE-N-LOK(TM) | | | | |
| MATERIAL 0.20 THK BRASS | | PRODUCT SPEC 108-1836 | SIZE A200779 | CAGE CODE C-794613 | DRAWING NO G-794613 | RESTRICTED TO |
| | | APPLICATION SPEC 114-13000 | SCALE 10:1 | | SHEET 1 OF 1 | REV C |
| | | WEIGHT - | CUSTOMER DRAWING | | | |