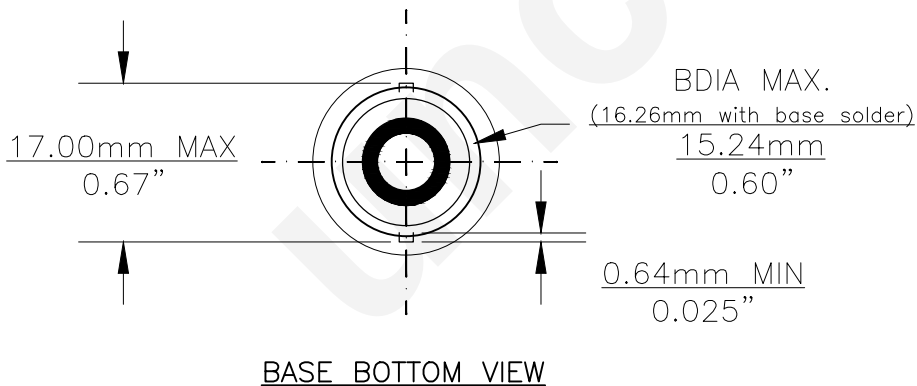
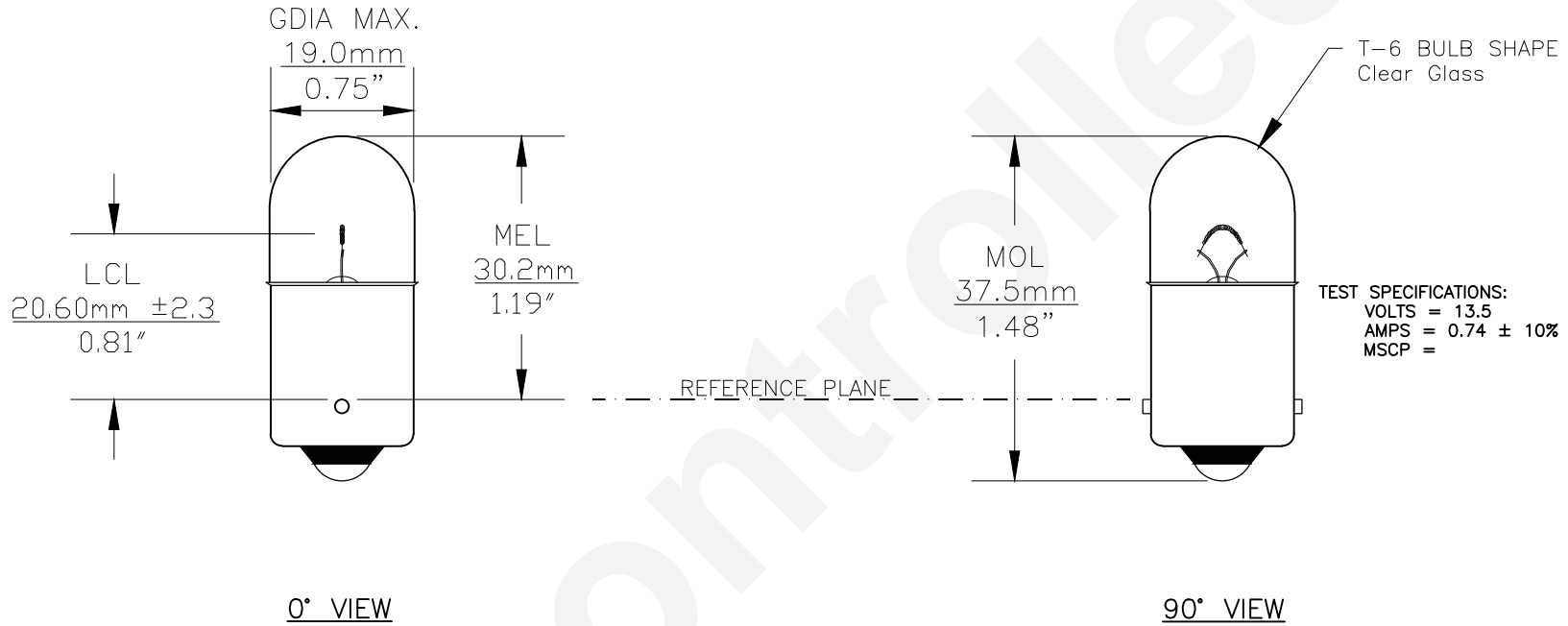




PART NO.	BASE TYPE	DESIGN VOLTS	DESIGN AMPS	MSCD	FILAMENT TYPE	AVERAGE LIFE HOURS	REVISIONS			
							REV #	DESCRIPTION	DATE	APPROVED
5008LL	S.C. BAYONET (BA15s)	12.0V	0.83±10%	10.0 ±20%	C-2R	400	1	CORRECT THE GDIA MEASUREMENT	03/23/2009	S.L.



Note: Made according to ECE/R37 specifications

UNLESS OTHERWISE SPECIFIED: DIMENSIONS ARE IN INCHES TOLERANCES		CEC INDUSTRIES LTD			
DECIMALS .XX ± .05		599 BOND STREET		LINCOLNSHIRE, IL 60069	
ANGULAR .XXX ± .010		TITLE LIGHT BULB NO. 5008LL			
FRACTIONAL ±1/64		SCALE A		DWG NO. 5008LL	
DRAWN ANNA SOLOVEYCHIK	DATE 03/07/2002	PLOT SCALE		SHEET 1 OF 1	
CHECKED		FILE 5008LL.pdf		DRAWING NOT TO SCALE	
DESIGN		REV 1			