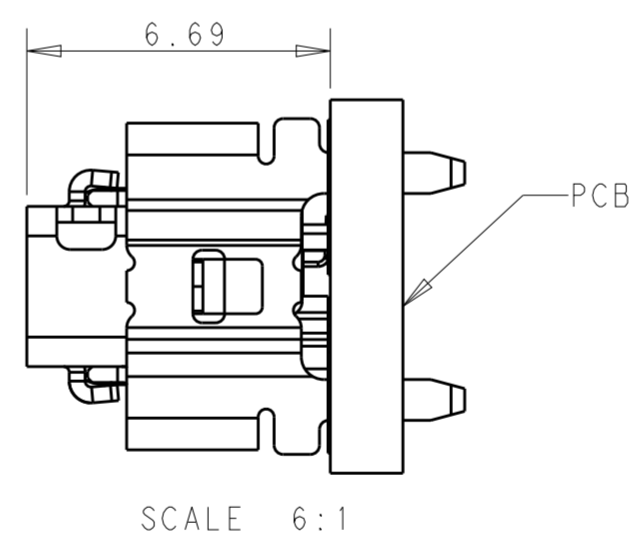
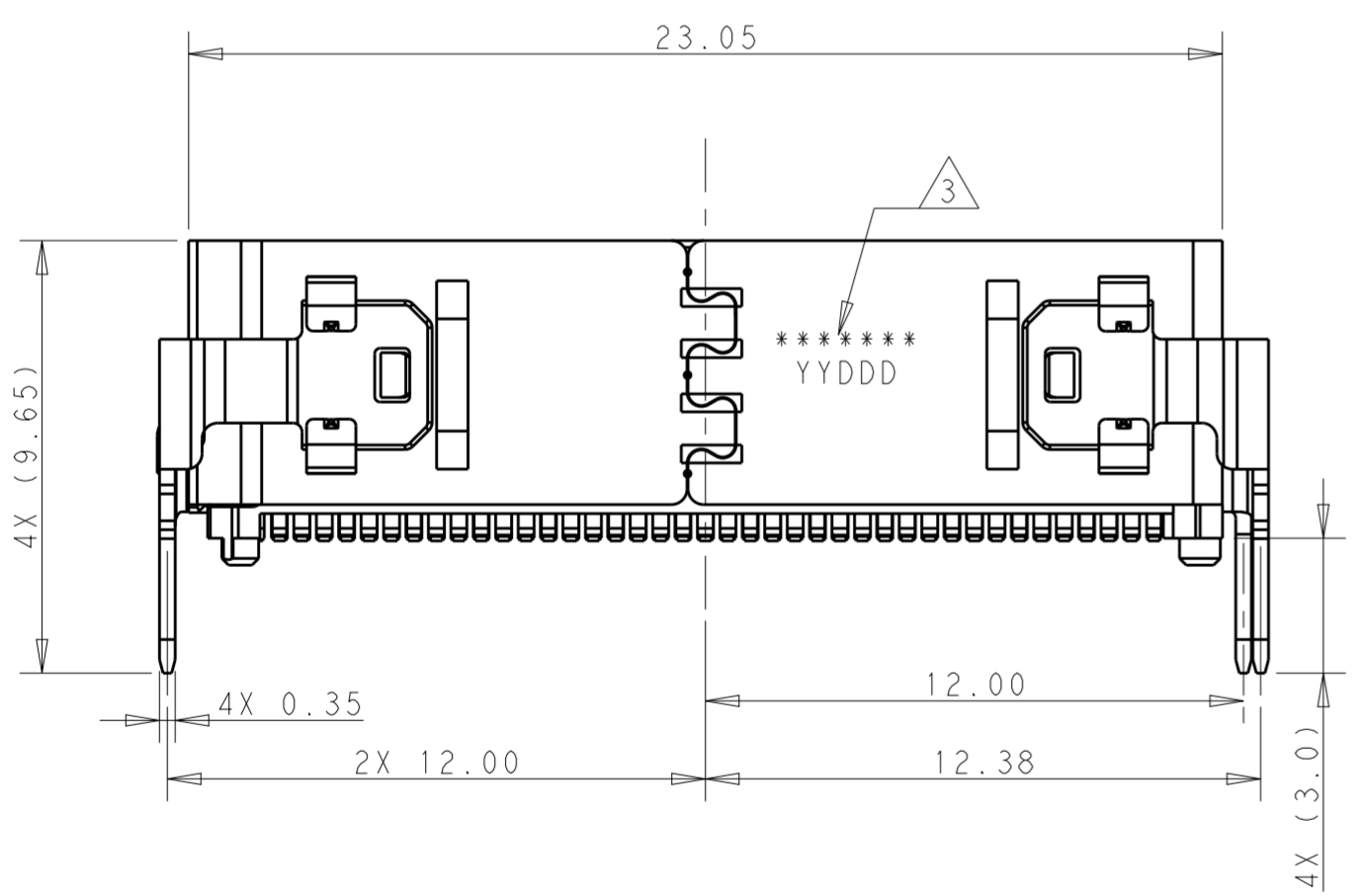
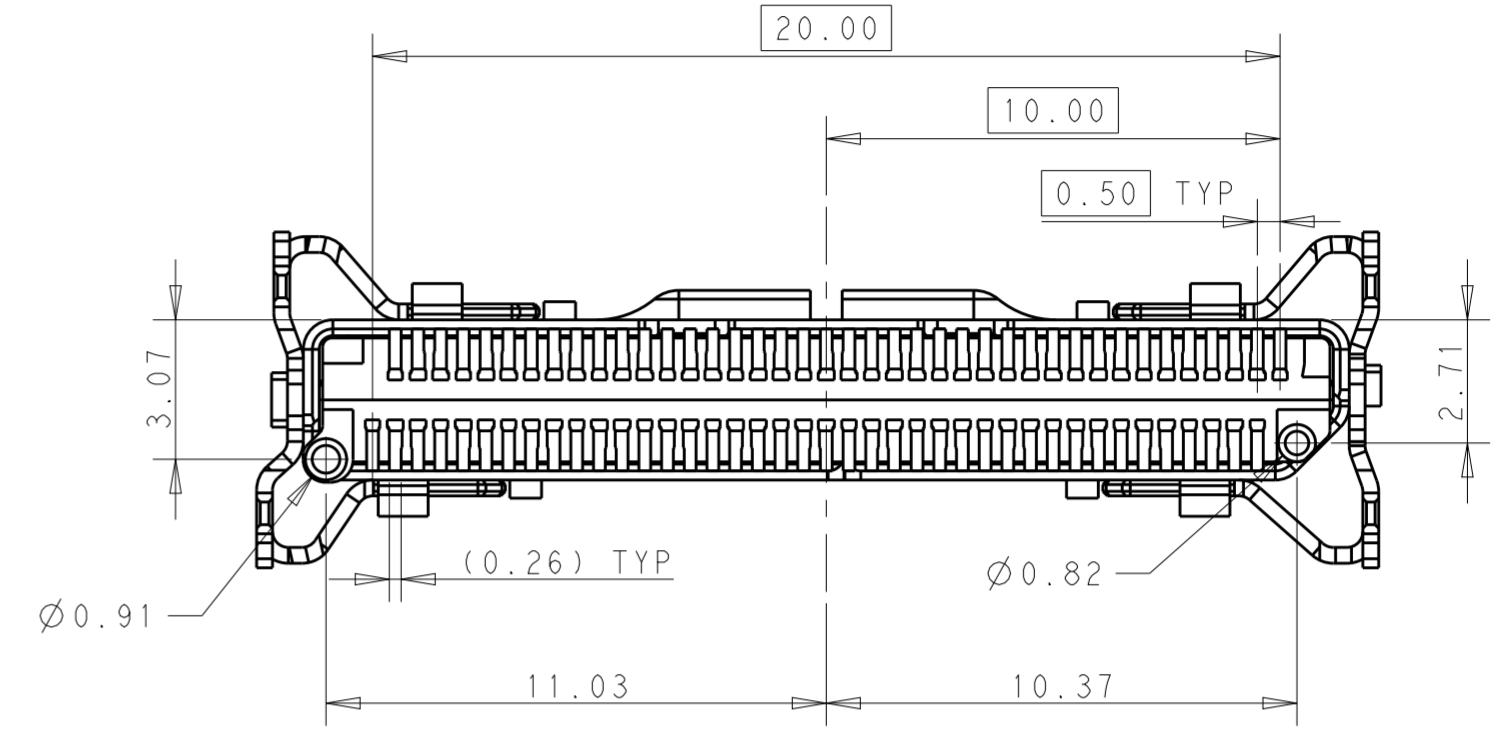
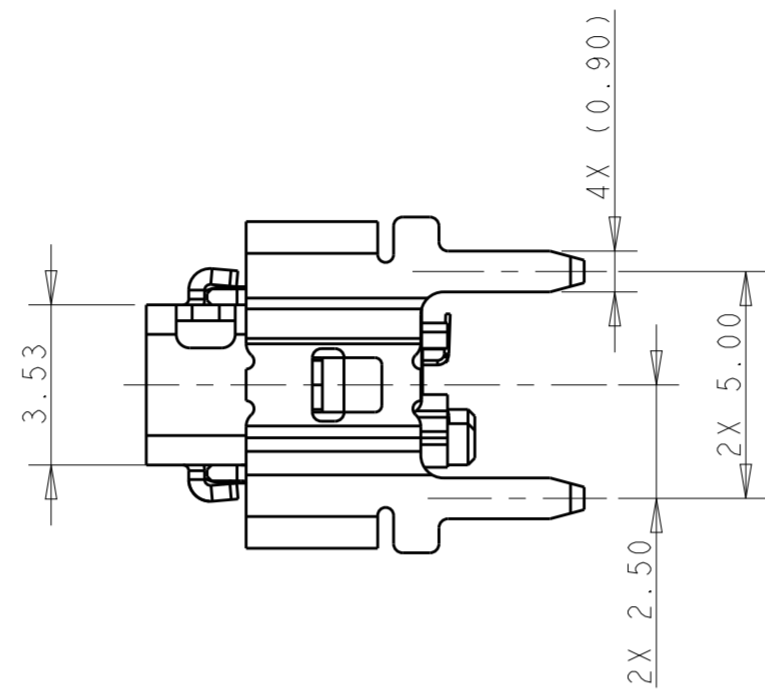
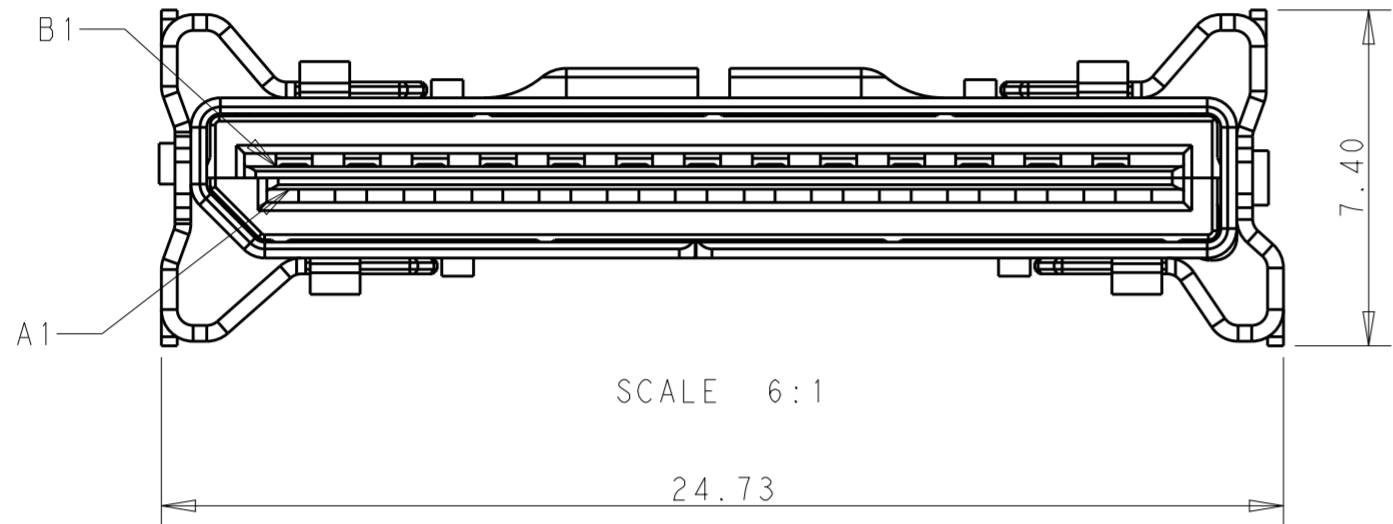
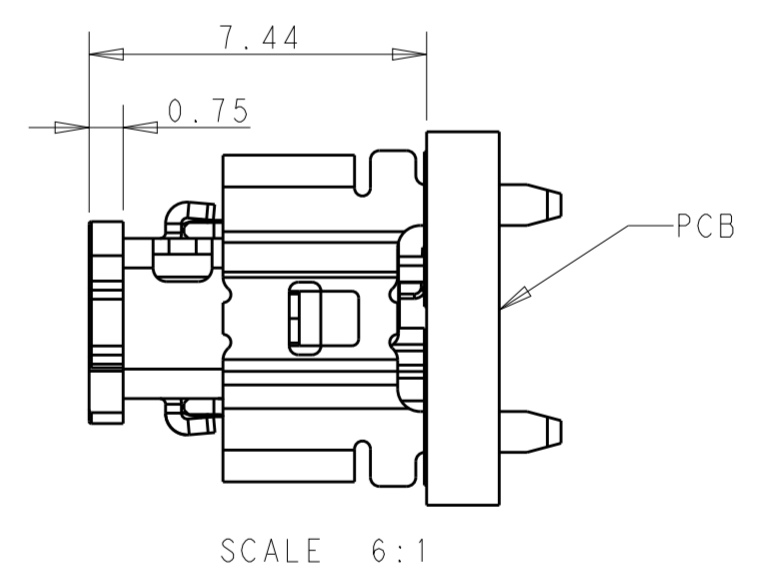


THIS DRAWING IS UNPUBLISHED. RELEASED FOR PUBLICATION 20
 © COPYRIGHT 20 BY - ALL RIGHTS RESERVED.

| REVISIONS | | | | |
|-----------|-----|---------------------------|-----------|-------|
| P | LTR | DESCRIPTION | DATE | APVD |
| A | | INITIAL RELEASE | 14NOV2017 | AJ SH |
| B | | REVISED PER ECO-19-019424 | 20DEC2019 | SH SH |
| C | | REVISED PER ECO-20-002530 | 26FEB2020 | LL DZ |



NO CAP



WITH CAP

NOTES:

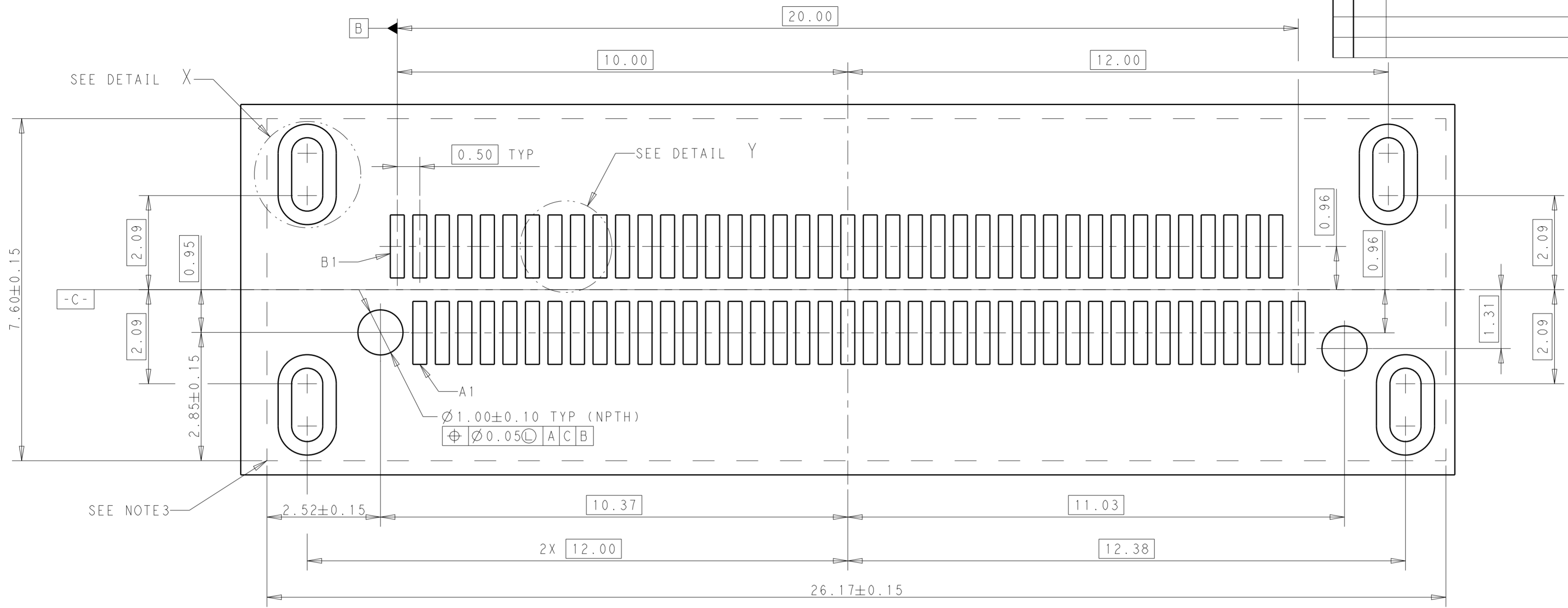
- MATERIALS:
 HOUSING - GLASS FILLED THERMOPLASTIC. 94V-0, COLOR: BLACK.
 CONTACT - HIGH PERFORMANCE COPPER ALLOY
 SHIELD - STAINLESS STEEL
 - FINISH:
 CONTACTS - 0.76um MIN. GOLD ON MATING SIDE
 2.03um MIN. TIN ON SOLDER TAILS
 1.27um MIN. NICKEL UNDERPLATE OVERALL
 SHIELD - MATTE TIN OVER 1.27um MIN. NICKEL
- 3 PART NUMBER AND DATE CODE MARKED IN APPROXIMATE AREA SHOWN
- SOLDER TAIL COPLANARITY IS 0.10 MAX.

2312148-1
PART NUMBER

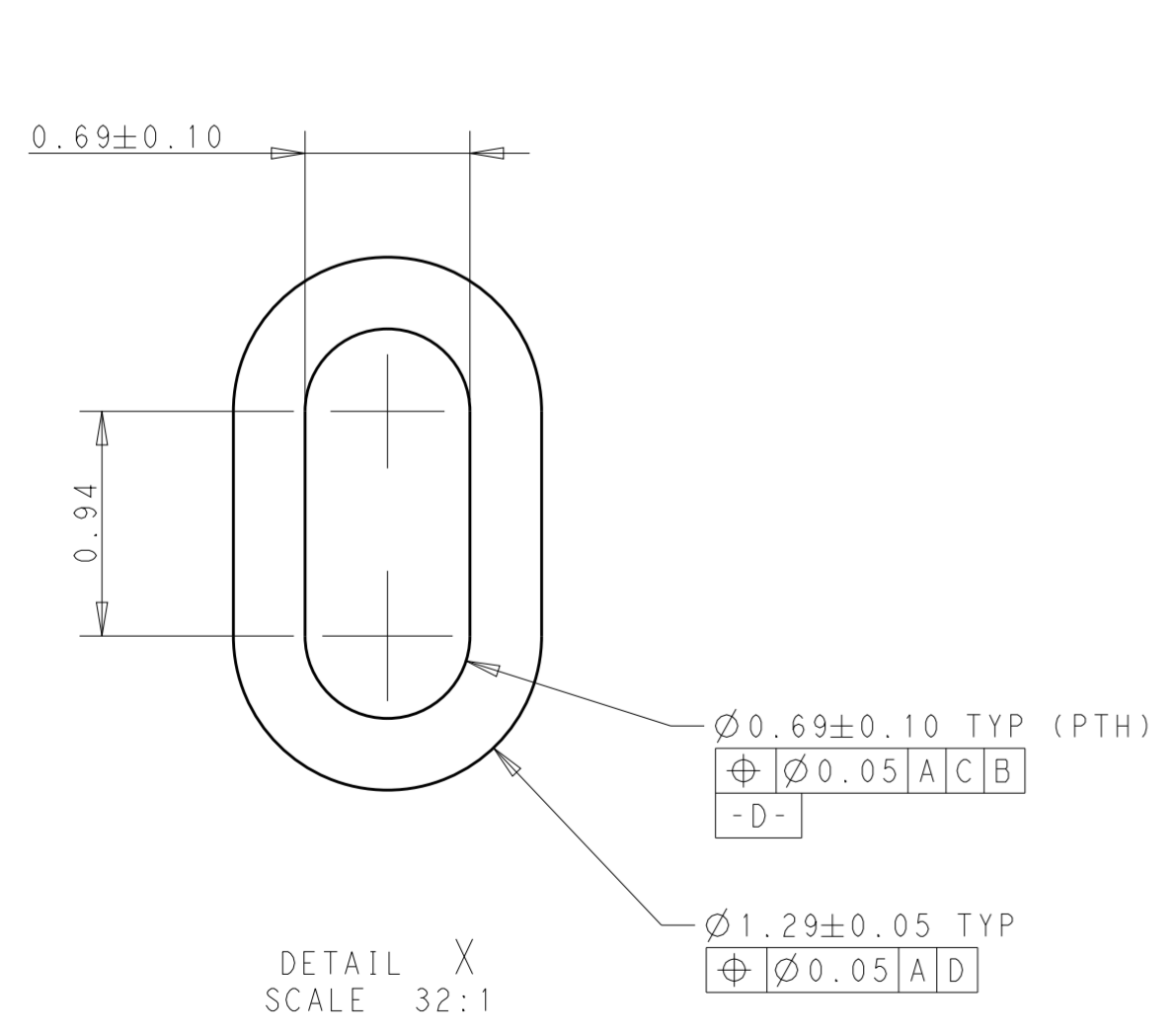
| | | | | |
|--|--|-----------------------------|---|--|
| THIS DRAWING IS A CONTROLLED DOCUMENT. | | DWN 06DEC2016 ARTHUR JIN | TE Connectivity | |
| DIMENSIONS: mm | | CHK 10DEC2016 SEAN HAN | | |
| TOLERANCES UNLESS OTHERWISE SPECIFIED: | | APVD 10DEC2016 SEAN HAN | NAME NPIO ASSEMBLY 80CKT XD VERTICAL RECEPTACLE | |
| 0 PLC ± | | PRODUCT SPEC 108-60118 | SIZE A2 | |
| 1 PLC ±0.25 | | APPLICATION SPEC 114-60024 | CAGE CODE - | |
| 2 PLC ±0.15 | | WEIGHT - | DRAWING NO C-2312148 | |
| 3 PLC ± | | CUSTOMER DRAWING | RESTRICTED TO - | |
| 4 PLC ± | | | SCALE 4:1 SHEET 1 OF 2 REV C | |
| ANGLES ±1/2 | | | | |
| FINISH SEE NOTES | | | | |

THIS DRAWING IS UNPUBLISHED. RELEASED FOR PUBLICATION 20
 © COPYRIGHT 20 BY - ALL RIGHTS RESERVED.

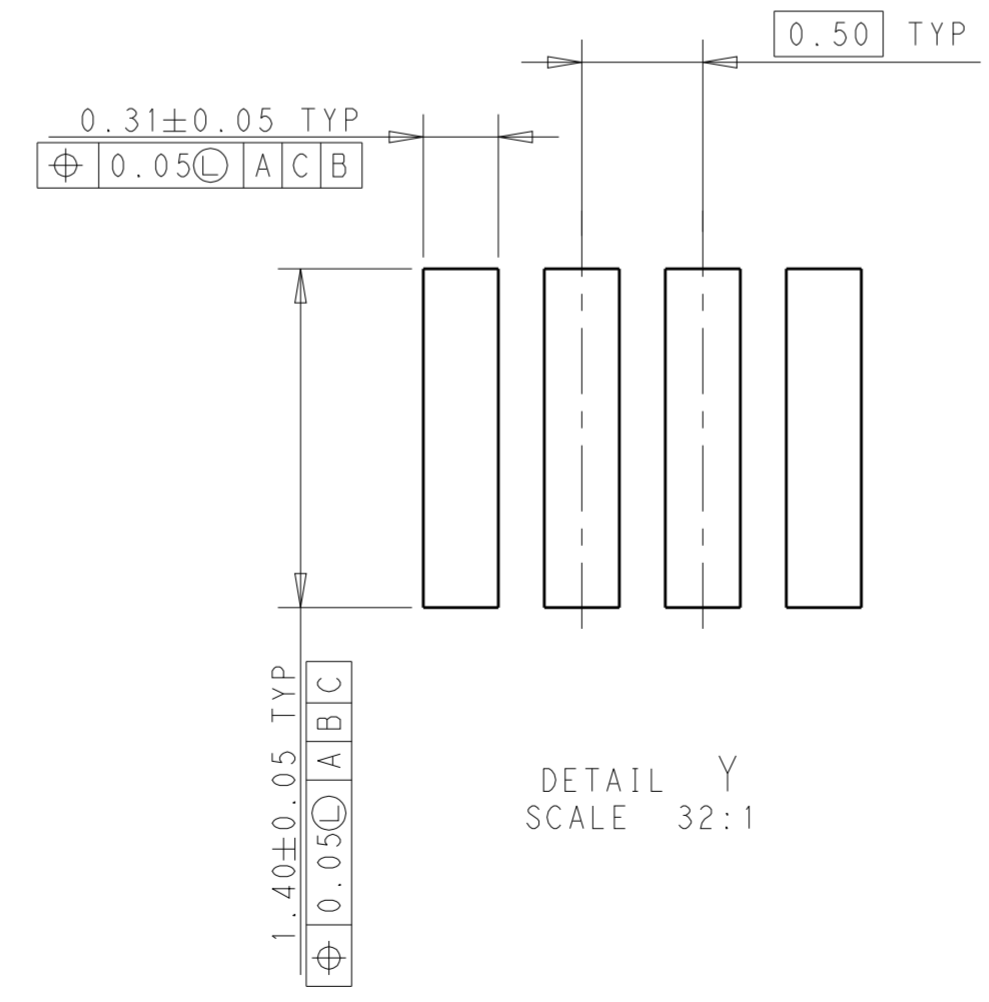
| REVISIONS | | | | |
|-----------|-----|-------------|------|------|
| P | LTR | DESCRIPTION | DATE | APVD |
| | | SEE SHEET 1 | | |
| | | | | |
| | | | | |



RECOMMENDED FOOTPRINT
 SCALE 14:1



DETAIL X
 SCALE 32:1



DETAIL Y
 SCALE 32:1

- NOTES:
 1. MINIMUM RECOMMENDED SPACING IS 26.75mm
 2. MINIMUM RECOMMENDED PCB THICKNESS: 1.57mm
 3. CONNECTOR KEEP OUT AREA
 4. DATUM-A- ESTABLISHED FROM TOP SURFACE OF PCB

| | | | | |
|--|--|-----------------------------|---|--|
| THIS DRAWING IS A CONTROLLED DOCUMENT. | | DWN 06DEC2016 ARTHUR JIN | TE Connectivity | |
| DIMENSIONS: mm | | CHK 10DEC2016 SEAN HAN | | |
| TOLERANCES UNLESS OTHERWISE SPECIFIED: | | APVD 10DEC2016 SEAN HAN | NAME NPIO ASSEMBLY 80CKT XD VERTICAL RECEPTACLE | |
| 0 PLC ± | | PRODUCT SPEC 108-60118 | SIZE A2 | |
| 1 PLC ±0.25 | | APPLICATION SPEC 114-60024 | CAGE CODE - | |
| 2 PLC ±0.15 | | WEIGHT - | DRAWING NO C-2312148 | |
| 3 PLC ± | | CUSTOMER DRAWING | RESTRICTED TO - | |
| 4 PLC ± | | | SCALE 4:1 SHEET 2 OF 2 REV C | |
| ANGLES ±1/2 | | | | |
| FINISH | | | | |
| MATERIAL SEE NOTES | | | | |
| SEE NOTES | | | | |