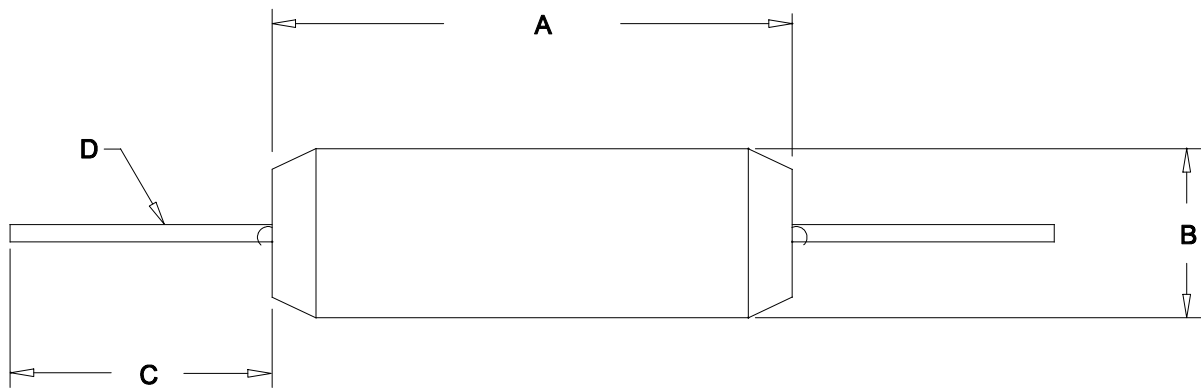


INDUCTANCE: 250 μ H \pm 5%
 TEST FREQUENCY: 1kHz
 DCR: 0.114 Ω \pm 20%
 I DC: 5A MAX.
 Q: 12.0 MIN.



DIMENSIONS:	
A	1.250" \pm 0.125
B	0.690" \pm 0.125
C	1.500" \pm 0.125
D	0.040" \pm 0.005



ELECTRONIC DIVISION
 52 RANKIN PLACE,
 WATERLOO, ONTARIO, N2J 3Z5
 PH # (519) 886-6181
 FAX # (519) 886-9540

TITLE

HIGH CURRENT CHOKES

NO	DATE	REVISION	DWG. BY
0	10/23/18	RELEASED. C.I.	C. ILIE
			DATE
			10/23/18
			DIM IN(X)MM()

1537M