

NOTES:

1. MATERIALS AND FINISHES:

- FERRULE - COPPER, NICKEL PLATING
- HEX NUT - BRASS, NICKEL PLATING
- LOCK WASHER - BRASS, NICKEL PLATING
- CONTACT PIN - PHOSPHOR BRONZE, GOLD PLATING
- GASKET - RUBBER, RED
- BODY - BRASS, NICKEL PLATING
- INSULATOR - PTFE, NATURAL

2. ELECTRICAL:

- A. IMPEDANCE: 50 OHM, NOMINAL
- B. FREQUENCY RANGE: 0-11 GHz
- C. D.W.V: 1500 VRMS, MIN.

3. MECHANICAL:

- A. DURABILITY: 500 CYCLES MIN.
- B. TEMPERATURE RANGE: -65°C TO +165°C

4. CRIMPED FERRULE HEX CRIMP SIZE .213"

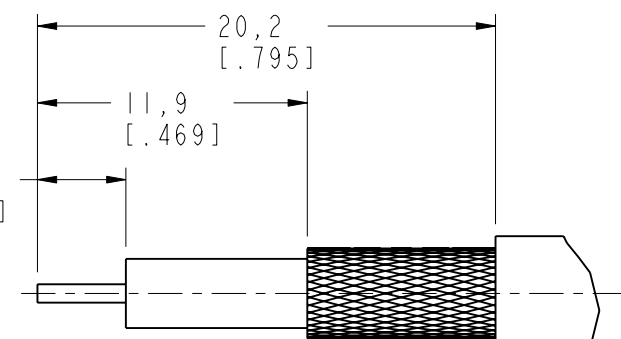
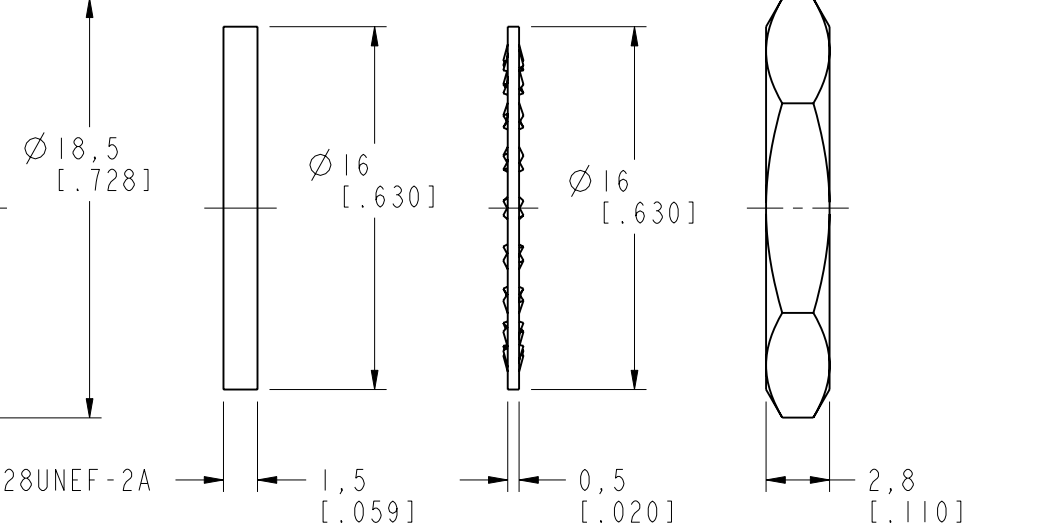
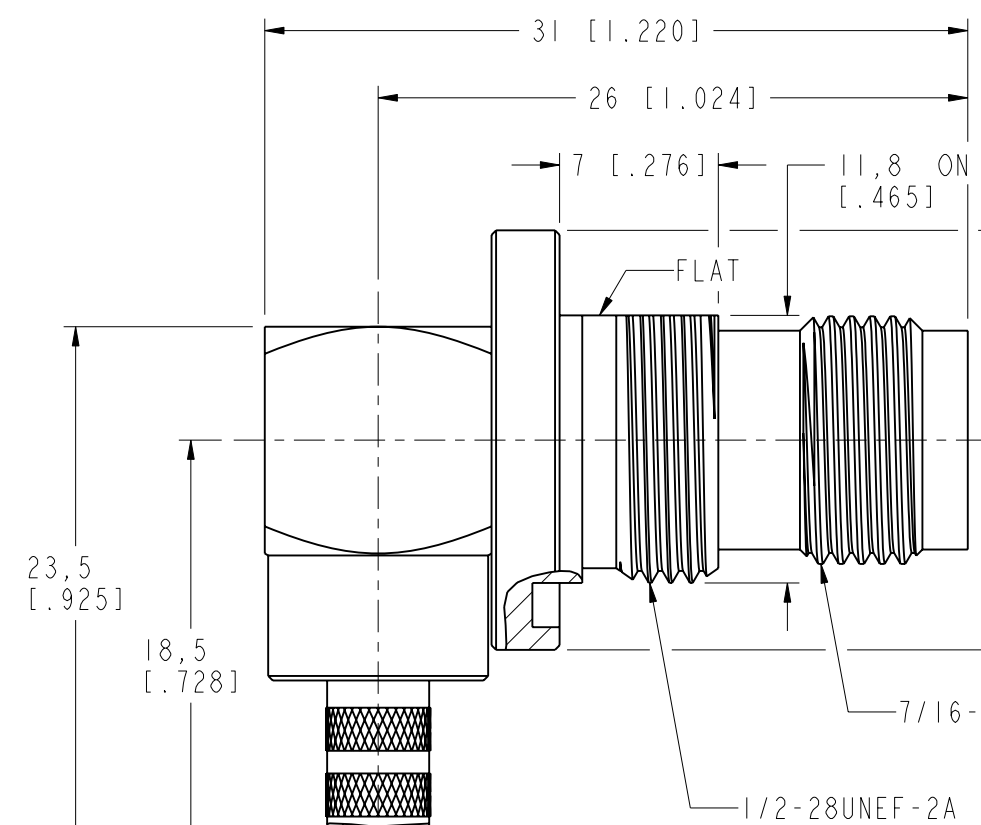
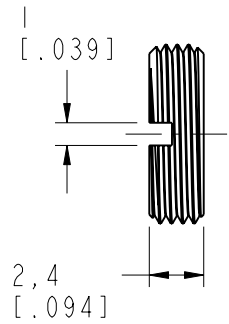
5. CONTACT PIN TO SOLDER

6. MAX. PANEL THICKNESS=3.5mm

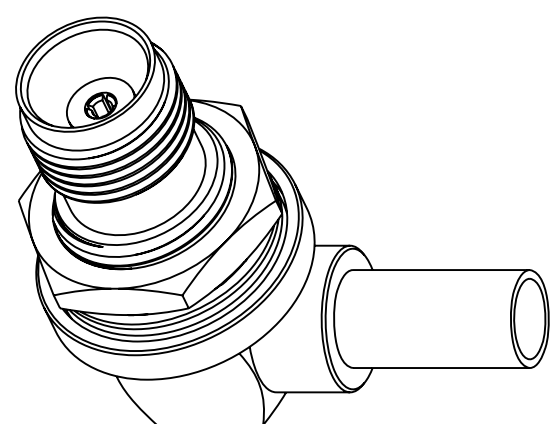
THIRD ANGLE PROJ.

REVISIONS

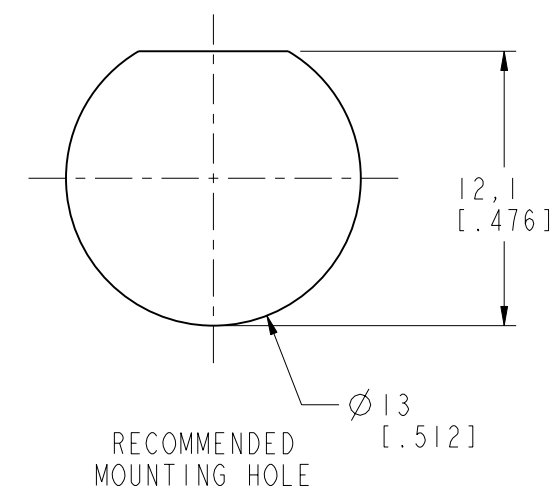
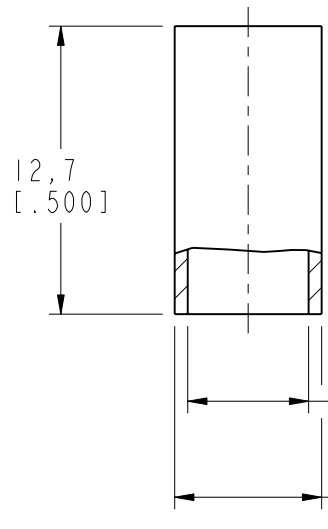
REV	DESCRIPTION	DATE	ECO	APPR
A	RELEASE TO MFG.	31-Aug-04	-----	SH
B	SYNCH DRAWINGS WITH NORTH AMERICA	16-Jan-18	06522	SH



RECOMMENDED CABLE STRIPPING DIM'S



SCALE 2.000



RECOMMENDED MOUNTING HOLE

**CUSTOMER OUTLINE DRAWING**

ALL OTHER SHEETS ARE FOR INTERNAL USE ONLY

<p>UNLESS OTHERWISE SPECIFIED, DIMENSIONS ARE IN METRIC AND TOLERANCES ARE:                  &lt;0.5mm ±0.05mm    0.5 - 6mm ±0.1mm    6 - 30mm ±0.2mm    30 - 120mm ±0.3mm    ANGLES ±1°</p>	MATERIAL	DRAWN	DATE	<p>TITLE                  TNC R/A BULKHEAD                  CRIMP JACK (FOR                  RG-58/U, 58C/U CABLE)</p>	<p>Amphenol RF                  www.amphenolrf.com</p>
	-	STAR	16-Jan-18		
<p>NOTICE - These drawings, specifications, or other data (1) are, and remain the property of Amphenol corp. (2) must be returned upon request; and (3) are confidential and not to be disclosed to any person other than those to whom they are given by Amphenol Corp. the furnishing of these drawings, specifications, or other data by Amphenol Corp., or to any other person to anyone for any purpose is not to be regarded by implication or otherwise in any manner licensing, granting rights to permitting such holder or any other person to manufacture, use or sell any product, process or design, patented or otherwise, that may in any way be related to or disclosed by said drawings, specifications, or other data.</p>	REFERENCE	ENGINEER	DATE	SCALE: 3.0:1.0	<p>DRAWING NO. T6412A1-NT3G-58U-50</p>
	CONFIGURATION LEVEL: In Work	S.HSIEH	31-Aug-04	SHEET 2 OF 2	
	FINISH	APPROVED	DATE	DWG SIZE	REV
		16-Jan-18	B	B	