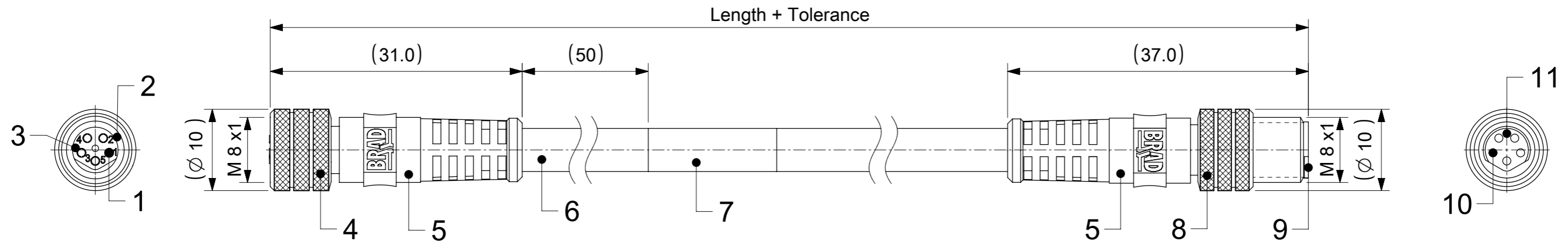
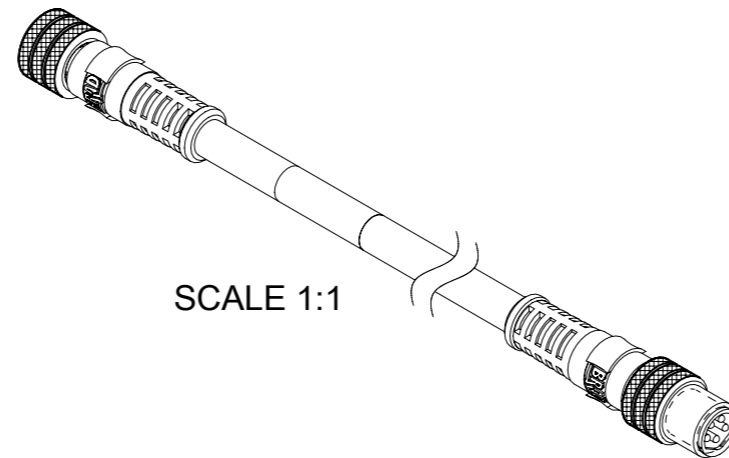


FEMALE PLUG M8 STRAIGHT TO MALE PLUG M8 STRAIGHT



NOTES:

- RATED VOLTAGE: 3 contacts 60V AC/DC
4 and 5 contacts 30V AC/DC
- CURRENT RATING: 3, 4, 5 contacts 3A
- PROTECTION CLASS: IP 67 in mated and locked position.
- TEMPERATURE: SEE CABLE INFORMATION
- INSULATION RESISTANCE: 10⁸ Ω MIN.
- MATING CYCLES: MIN. 100



CONTACTS POSITION FRONT VIEW:

	3 CONTACTS		4 CONTACTS		5 CONTACTS	
FEMALE						
MALE						
CONNECTIONS	PIN	WIRE	PIN	WIRE	PIN	WIRE
	1	BROWN	1	BROWN	1	BROWN
	3	BLUE	2	WHITE	2	WHITE
	4	BLACK	3	BLUE	3	BLUE
			4	BLACK	4	BLACK
				5	GREY	

CODING ACCORDING TO IEC 61076-2-104

FOR OPTIONS SEE - NUMERICAL CODE - ON SHEET 2

ITEM	QTY.	DESCRIPTION	MATERIAL	FINISH
11	1	INSERT MALE BLACK	TPU	---
10	3 / 4 / 5	CONTACT M8 MALE	BRASS	SELECTIVE Au OVER Ni
9	1	SLEEVE	BRASS	NICKEL
8	1	COUPLING NUT M8 MALE	BRASS	NICKEL
7	1	LABEL YELLOW	VINYL	---
	-	PRINTING FOR CABLES lxx	---	---
6	-	CABLE	SEE SHEET 2	---
5	-	OVERMOULDING BLACK	TPU	---
4	1	COUPLING NUT M8 FEMALE	BRASS	NICKEL
3	1	INSERT FEMALE BLACK	TPU	---
2	1	O-RING RED	FKM	---
1	3 / 4 / 5	CONTACT M8 FEMALE	BRASS	SELECTIVE Au OVER Ni

FUNCTIONAL SYMBOLS	THIS DRAWING CONTAINS INFORMATION THAT IS PROPRIETARY TO MOLEX ELECTRONIC TECHNOLOGIES, LLC AND SHOULD NOT BE USED WITHOUT WRITTEN PERMISSION	CURRENT REV DESC: CORRECTION TYPO			
	DIMENSION UNITS: mm SCALE: 2:1 GENERAL TOLERANCES (UNLESS SPECIFIED) ANGULAR TOL ± 1.0° 4 PLACES ± 3 PLACES ± 2 PLACES ± 0.05 1 PLACE ± 0.3 0 PLACES ± 0.5	EC NO: 727617 DRWN: RSILLER 2022/11/08 CHK'D: THAERDT 2022/11/09 APPR: THAERDT 2022/11/09			
DIVISIONAL SYMBOLS	DRAFT WHERE APPLICABLE MUST REMAIN WITHIN DIMENSIONS	THIRD ANGLE PROJECTION	DRAWING: A3-SIZE	SERIES: 120087	DOCUMENT NUMBER: 1200878240
					DOC TYPE: PSD DOC PART: 000 REVISION: A16
		MATERIAL NUMBER: SEE PART LIST	CUSTOMER: GENERAL MARKET	SHEET NUMBER: 1 OF 4	

ENGINEERING NO. - NUMERICAL CODE (Available parts see PART LIST table. Other parts available upon request).

OPTIONS

4 4 X 0 3 0 X X X X X X X X

44=Nano-Change
M8x1
Double ended

Contacts:
3=3 Contacts
4=4 Contacts
5=5 Contacts

Heads style:
030=Plug Female Straight
to Plug Male Straight

Cable type: See Table

Units:
M=Meter
C=Centimeter

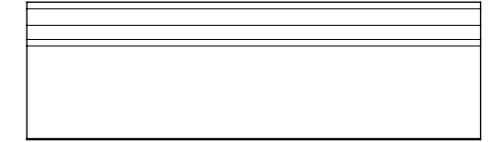
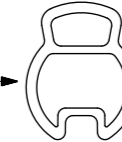
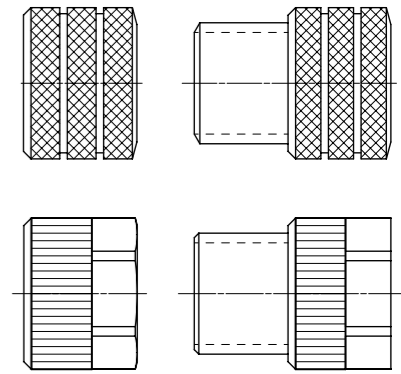
Length
Examples:
005=0.5 unit
010=1 unit
100=10 unit

Overmold color:
Blank (Standard)=Black
A=Grey / G=Black / Y=Yellow

Coupling Nut:
Blank (Standard)=Knurled Brass Ni Plated
9=Knurled / Hexagonal SW9 Brass Ni Plated

H= 2 pcs. of I/D Carrier PVC Transparent
(Cables lxx & P82 always with 2 pcs. of
I/D Carrier)

COUPLING NUT
FEMALE MALE



CABLE INFORMATION (for more information see Cable Data Sheet).

CABLE TYPE	NO. OF WIRES	CROSS SECTION	CABLE JACKET	UL	CSA	STATIC: TEMP. / BENDING RADIUS	DYNAMIC: TEMP. / BENDING RADIUS	DRAG CHAIN	SHIELD
E02	3 / 4 / 5	0.25 mm ²	PVC BLACK	UL 2464/1729	C22.2 I/II A/B 80°C/300V	-30°C to +80°C, >10xO.D.	-10°C to +80°C, >15xO.D.	-	-
H08	3 / 4 / 5	0.25 mm ²	PUR BLACK LSOH	UL 21198/10493	C22.2 I/II A/B 80°C/300V	-40°C to +80°C, >5xO.D.	-25°C to +80°C, >10xO.D.	2 000 000 cycles at 20°C, Temp. range +5°C to +60°C	-
I02	3 / 4	0.25 mm ²	PVC CEI GREY	-	-	-30°C to +70°C	-5°C to +70°C	-	-
P02	3 / 4 / 5	0.25 mm ²	PUR / PVC BLACK	-	-	-30°C to +80°C, >7xO.D.	-5°C to +80°C, >15xO.D.	-	-
P82	3	0.34 mm ²	PUR IRR ORANGE	-	-	-50°C to +105°C, >5xO.D.	-40°C to +105°C, >7.5xO.D.	-	-
H70	5	0.25 mm ²	PUR BLACK	-	-	-40°C to +80°C, >5xO.D.	-25°C to +80°C, >10xO.D.	2 000 000 cycles at 20°C, Temp. range +5°C to +60°C	-

CABLE LENGTH TOLERANCES

OVER	UP TO AND INCLUDING	TOLERANCES
0	305mm	+19mm
305mm	915mm	+45mm
915mm	1830mm	+56mm
1830mm	3660mm	+89mm
3660mm	7320mm	+165mm
7320mm	14640mm	+317mm
14640mm	30500mm	+610mm
30500mm	>	+2% of finished length


FUNCTIONAL SYMBOLS	THIS DRAWING CONTAINS INFORMATION THAT IS PROPRIETARY TO MOLEX ELECTRONIC TECHNOLOGIES, LLC AND SHOULD NOT BE USED WITHOUT WRITTEN PERMISSION	CURRENT REV DESC: CORRECTION TYPO																											
	<table border="1"> <tr> <th>FUNCTIONAL SYMBOLS</th> <th>DIMENSION UNITS</th> <th>SCALE</th> </tr> <tr> <td>$\nabla_A = 0$</td> <td>mm</td> <td>2:1</td> </tr> <tr> <td>$\nabla_E = 0$</td> <td colspan="2">GENERAL TOLERANCES (UNLESS SPECIFIED)</td> </tr> <tr> <td>$\nabla_V = 0$</td> <td colspan="2">ANGULAR TOL $\pm 1.0^\circ$</td> </tr> <tr> <td rowspan="5">DIVISIONAL SYMBOLS</td> <td>4 PLACES</td> <td>\pm</td> </tr> <tr> <td>3 PLACES</td> <td>\pm</td> </tr> <tr> <td>2 PLACES</td> <td>± 0.05</td> </tr> <tr> <td>1 PLACE</td> <td>± 0.3</td> </tr> <tr> <td>0 PLACES</td> <td>± 0.5</td> </tr> </table>	FUNCTIONAL SYMBOLS	DIMENSION UNITS					SCALE	$\nabla_A = 0$	mm	2:1	$\nabla_E = 0$	GENERAL TOLERANCES (UNLESS SPECIFIED)		$\nabla_V = 0$	ANGULAR TOL $\pm 1.0^\circ$		DIVISIONAL SYMBOLS	4 PLACES	\pm	3 PLACES	\pm	2 PLACES	± 0.05	1 PLACE	± 0.3	0 PLACES	± 0.5	EC NO: 727617 DRWN: RSILLER 2022/11/08 CHK'D: THAERDT 2022/11/09 APPR: THAERDT 2022/11/09
FUNCTIONAL SYMBOLS	DIMENSION UNITS	SCALE																											
$\nabla_A = 0$	mm	2:1																											
$\nabla_E = 0$	GENERAL TOLERANCES (UNLESS SPECIFIED)																												
$\nabla_V = 0$	ANGULAR TOL $\pm 1.0^\circ$																												
DIVISIONAL SYMBOLS	4 PLACES	\pm																											
	3 PLACES	\pm																											
	2 PLACES	± 0.05																											
	1 PLACE	± 0.3																											
	0 PLACES	± 0.5																											
PRODUCT CUSTOMER DRAWING				DOCUMENT NUMBER																									
INITIAL REVISION:				1200878240		DOC TYPE		DOC PART		REVISION																			
DRWN: JMARSZALEK 2016/09/15				PSD		000		A16																					
APPR: RSILLER 2017/01/11				MATERIAL NUMBER		CUSTOMER		SHEET NUMBER																					
DRAFT WHERE APPLICABLE MUST REMAIN WITHIN DIMENSIONS				THIRD ANGLE PROJECTION		DRAWING		SERIES		GENERAL MARKET																			
				A3-SIZE		120087		SEE PART LIST		2 OF 4																			

PART LIST

No.	Molex PN	Engineering No.	Cable Length	No.	Molex PN	Engineering No.	Cable Length	No.	Molex PN	Engineering No.	Cable Length	No.	Molex PN	Engineering No.	Cable Length
1	1200271413	445030H08M010	1m	36	1200878273	443030E02M003	0.3m	71	1200878351	444030E02M025	2.5m	106	1200878643	443030E02M010H	1m
2	1200280321	443030E02M020	2m	37	1200878274	443030E02M015	1.5m	72	1200878352	444030E02M030	3m	107	1200878644	443030E02M020H	2m
3	1200280343	443030E02M030	3m	38	1200878275	443030E02M025H	2.5m	73	1200878353	444030E02M040	4m	108	1200878645	443030E02M030H	3m
4	1200280384	443030I02M006	0.6m	39	1200878276	443030E02M050H	5m	74	1200878354	444030E02M050	5m	109	1200878655	443030E02M040H	4m
5	1200280427	443030I02M010	1m	40	1200878277	443030E02M060	6m	75	1200878355	444030E02M100	10m	110	1200878658	444030E02M250	25m
6	1200280462	443030E02M050	5m	41	1200878278	443030E02M100	10m	76	1200878356	444030H08M020	2m	111	1200878661	444030E02M015H	1.5m
7	1200280464	443030E02M040	4m	42	1200878279	443030E02M150	15m	77	1200878357	444030P02M003	0.3m	112	1200878663	443030E02M060H	6m
8	1200281222	443030P82M003	0.3m	43	1200878280	443030E02M010G	1m	78	1200878358	444030P02M006	0.6m	113	1200878665	444030E02M005H	0.5m
9	1200281282	443030E02M025	2.5m	44	1200878281	443030E02M012G	1.2m	79	1200878359	444030P02M010	1m	114	1200878666	444030E02M025H	2.5m
10	1200281284	444030E02M015	1.5m	45	1200878282	443030I02M003	0.3m	80	1200878360	444030P02M020	2m	115	1200878671	443030E02M080H	8m
11	1200281309	445030P02M010	1m	46	1200878283	443030I02M015	1.5m	81	1200878361	444030P02M030	3m	116	1200878689	443030E02M015H	1.5m
12	1200281310	445030P02M050	5m	47	1200878284	443030I02M020	2m	82	1200878362	444030P02M050	5m	117	1200878692	444030E02M010H	1m
13	1200870687	445030P02M006	0.6m	48	1200878285	443030I02M030	3m	83	1200878494	443030E02M070	7m	118	1200878693	444030E02M020H	2m
14	1200870688	445030P02M030	3m	49	1200878286	443030I02M040	4m	84	1200878495	444030H08M010	1m	119	1200878699	443030H08M055H	5.5m
15	1200875035	443030E02M006	0.6m	50	1200878287	443030I02M050	5m	85	1200878500	443030H08M010	1m	120	1200878808	443030H08M065H	6.5m
16	1200878025	443030P82M006	0.6m	51	1200878288	443030I02M060	6m	86	1200878509	444030H08M050	5m	121	1200878809	443030E02M0039H	0.3m
17	1200878035	445030P02M020	2m	52	1200878289	443030I02M070	7m	87	1200878535	443030E02M020Y	2m	122	1200878810	444030E02M0069H	0.6m
18	1200878036	445030P02M040	4m	53	1200878290	443030I02M100	10m	88	1200878536	443030E02M050Y	5m	123	1200878811	444030E02M0309H	3m
19	1200878037	445030P02M100	10m	54	1200878291	443030I02M150	15m	89	1200878537	443030E02M040Y	4m	124	1200878812	444030P02M100	10m
20	1200878124	444030H08M003	0.3m	55	1200878292	443030P02M003	0.3m	90	1200878538	443030E02M006Y	0.6m	125	1200878828	444030E02M0109H	1m
21	1200878126	443030H08M030	3m	56	1200878293	443030P02M015	1.5m	91	1200878539	443030H08M050Y	5m	126	1200878834	443030E02M1009H	10m
22	1200878127	443030H08M050	5m	57	1200878294	443030P02M020	2m	92	1200878540	443030H08M020Y	2m	127	1200878843	444030H08M100	10m
23	1200878139	445030P02M250	25m	58	1200878295	443030P02M025	2.5m	93	1200878541	443030E02M010Y	1m	128	1200878844	444030H08M250	25m
24	1200878140	443030P02M010	1m	59	1200878296	443030P02M030	3m	94	1200878558	443030H08M006	0.6m	129	1200878847	445030H08M006	0.6m
25	1200878141	443030P02M006	0.6m	60	1200878297	443030P02M030G	3m	95	1200878559	444030H08M006	0.6m	130	1200878850	443030E02M0159H	1.5m
26	1200878149	443030H08M020	2m	61	1200878298	443030P02M035	3.5m	96	1200878574	444030E02M003H	0.3m	131	1200878923	443030E02M1509H	15m
27	1200878161	444030E02M200	20m	62	1200878299	443030P02M040	4m	97	1200878575	444030E02M030H	3m	132	1200878941	444030H08M030	3m
28	1200878166	443030H08M040	4m	63	1200878300	443030P02M060	6m	98	1200878576	443030E02M003H	0.3m	133	1200878946	445030H08M020	2m
29	1200878233	443030P02M050	5m	64	1200878301	443030P02M070	7m	99	1200878577	444030E02M006H	0.6m	134	1200878947	445030H08M050	5m
30	1200878234	443030P02M100	10m	65	1200878302	443030P02M150	15m	100	1200878596	443030P02M010H	1m	135	1200878950	445030E02M010	1m
31	1200878239	445030E02M006	0.6m	66	1200878346	444030E02M003	0.3m	101	1200878626	443030H08M080	8m	136	1200878951	444030H08C350	0.35m
32	1200878240	445030E02M020	2m	67	1200878347	444030E02M005	0.5m	102	1200878627	445030H08M040	4m	137	1200878952	444030H08C750	0.75m
33	1200878241	445030E02M050	5m	68	1200878348	444030E02M006	0.6m	103	1200878635	443030E02M080	8m	138	1200878978	443030H08M100	10m
34	1200878258	443030E02M010	1m	69	1200878349	444030E02M010	1m	104	1200878636	443030H08M055	5.5m	139	1200888155	445030H70M020	2m
35	1200878272	443030E02M002G	0.2m	70	1200878350	444030E02M020	2m	105	1200878642	443030E02M006H	0.6m	140	1200878982	443030H08M003H	0.3m


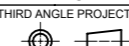
No.	Molex PN	Engineering No.	Cable Length	No.	Molex PN	Engineering No.	Cable Length
141	1200878983	443030H08M015H	1.5m	151	1200879003	444030H08M020H	2m
142	1200878984	443030H08M045H	4.5m	152	1200879004	444030H08M010H	1m
143	1200878985	443030H08M065	6.5m	153	1200879007	444030H08M006H	0.6m
144	1200878986	443030H08M075H	7.5m	154	1200879010	444030H08M030H	3m
145	1200878987	444030H08M015H	1.5m	155	1200879035	443030H08M006H	0.6m
146	1200878988	444030H08M025H	2.5m	156	1200879036	443030H08M010H	1m
147	1200878998	443030H08M030H	3m	157	1200879037	443030H08M025H	2.5m
148	1200878999	443030H08M050H	5m	158	1200879050	443030H08M080H	8m
149	1200879001	443030H08M040H	4m	159	1200879052	444030H08M035H	3.5m
150	1200878997	444030H08M003H	0.3m	160	1200879053	444030H08M040H	4m
				161	1200879054	444030H08M050H	5m

DOCUMENT STATUS	P1	RELEASE DATE	2022/11/09 06:36:24
-----------------	----	--------------	---------------------

FUNCTIONAL SYMBOLS	THIS DRAWING CONTAINS INFORMATION THAT IS PROPRIETARY TO MOLEX ELECTRONIC TECHNOLOGIES, LLC AND SHOULD NOT BE USED WITHOUT WRITTEN PERMISSION															
	<table border="1"> <tr> <th>DIMENSION UNITS</th><th>SCALE</th></tr> <tr> <td>mm</td><td>2:1</td></tr> </table>	DIMENSION UNITS	SCALE	mm	2:1	CURRENT REV DESC: CORRECTION TYPO										
DIMENSION UNITS	SCALE															
mm	2:1															
DIVISIONAL SYMBOLS	<table border="1"> <tr> <th>GENERAL TOLERANCES (UNLESS SPECIFIED)</th> </tr> <tr> <td>ANGULAR TOL ± 1.0°</td> </tr> <tr> <td>4 PLACES ±</td> </tr> <tr> <td>3 PLACES ±</td> </tr> <tr> <td>2 PLACES ± 0.05</td> </tr> <tr> <td>1 PLACE ± 0.3</td> </tr> <tr> <td>0 PLACES ± 0.5</td> </tr> <tr> <th>DRAFT WHERE APPLICABLE MUST REMAIN WITHIN DIMENSIONS</th> <td>THIRD ANGLE PROJECTION</td> <td>DRAWING A3-SIZE</td> <td>SERIES 120087</td> <td>MATERIAL NUMBER SEE PART LIST</td> <td>CUSTOMER GENERAL MARKET</td> <td>SHEET NUMBER 3 OF 4</td> </tr> </table>		GENERAL TOLERANCES (UNLESS SPECIFIED)	ANGULAR TOL ± 1.0°	4 PLACES ±	3 PLACES ±	2 PLACES ± 0.05	1 PLACE ± 0.3	0 PLACES ± 0.5	DRAFT WHERE APPLICABLE MUST REMAIN WITHIN DIMENSIONS	THIRD ANGLE PROJECTION	DRAWING A3-SIZE	SERIES 120087	MATERIAL NUMBER SEE PART LIST	CUSTOMER GENERAL MARKET	SHEET NUMBER 3 OF 4
	GENERAL TOLERANCES (UNLESS SPECIFIED)															
ANGULAR TOL ± 1.0°																
4 PLACES ±																
3 PLACES ±																
2 PLACES ± 0.05																
1 PLACE ± 0.3																
0 PLACES ± 0.5																
DRAFT WHERE APPLICABLE MUST REMAIN WITHIN DIMENSIONS	THIRD ANGLE PROJECTION	DRAWING A3-SIZE	SERIES 120087	MATERIAL NUMBER SEE PART LIST	CUSTOMER GENERAL MARKET	SHEET NUMBER 3 OF 4										
<p>EC NO: 727617 DRWN: RSILLER 2022/11/08 CHK'D: THAERTD 2022/11/09 APPR: THAERTD 2022/11/09</p>		 <p>CSE M8 M8 XP AC BC FE STR MA STR XM</p> <p>PRODUCT CUSTOMER DRAWING</p>														

PART LIST

No.	Molex PN	Engineering No.	Cable Length
162	1200879055	443030H08M060H	6m
163	1200879056	443030H08M020H	2m
164	1200879074	444030H08M060H	6m
165	1200879080	443030H08M060	6m
166	1200879081	443030H08M120	12m
167	1200879082	443030H08M140	14m
168	1200879083	443030H08M160	16m
169	1200879084	443030H08M180	18m
170	1200879085	443030H08M200	20m
171	1200879086	443030H08M220	22m
172	1200879087	443030H08M240	24m
173	1200878980	445030H08M030	3m
174	1200879090	443030H08M035H	3.5m

FUNCTIONAL SYMBOLS $\nabla/A = 0$ $\nabla/E = 0$ $\nabla/P = 0$	THIS DRAWING CONTAINS INFORMATION THAT IS PROPRIETARY TO MOLEX ELECTRONIC TECHNOLOGIES, LLC AND SHOULD NOT BE USED WITHOUT WRITTEN PERMISSION		CURRENT REV DESC: CORRECTION TYPO		 CSE M8 M8 XP AC BC FE STR MA STR XM					
	DIMENSION UNITS mm	SCALE 1:1	EC NO: 727617 DRWN: RSILLER 2022/11/08 CHK'D: THAERDT 2022/11/09 APPR: THAERDT 2022/11/09			PRODUCT CUSTOMER DRAWING				
	GENERAL TOLERANCES (UNLESS SPECIFIED) ANGULAR TOL ± 1.0° 4 PLACES ±		3 PLACES ± 2 PLACES ± 0.05 1 PLACE ± 0.3 0 PLACES ± 0.5	INITIAL REVISION: DRWN: JMARSZALEK 2016/09/15 APPR: RSILLER 2017/01/11		DOCUMENT NUMBER 1200878240	DOC TYPE PSD			
DIVISIONAL SYMBOLS	DRAFT WHERE APPLICABLE MUST REMAIN WITHIN DIMENSIONS		THIRD ANGLE PROJECTION 	DRAWING A3-SIZE	SERIES 120087	MATERIAL NUMBER SEE PART LIST	CUSTOMER GENERAL MARKET	DOC PART 000	REVISION A16	SHEET NUMBER 4 OF 4