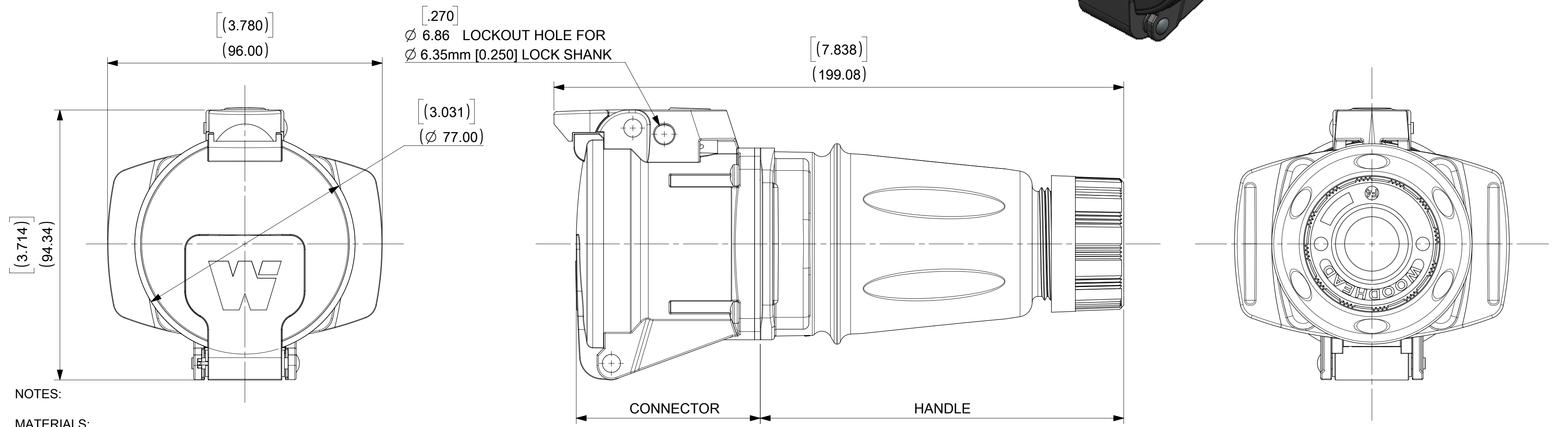
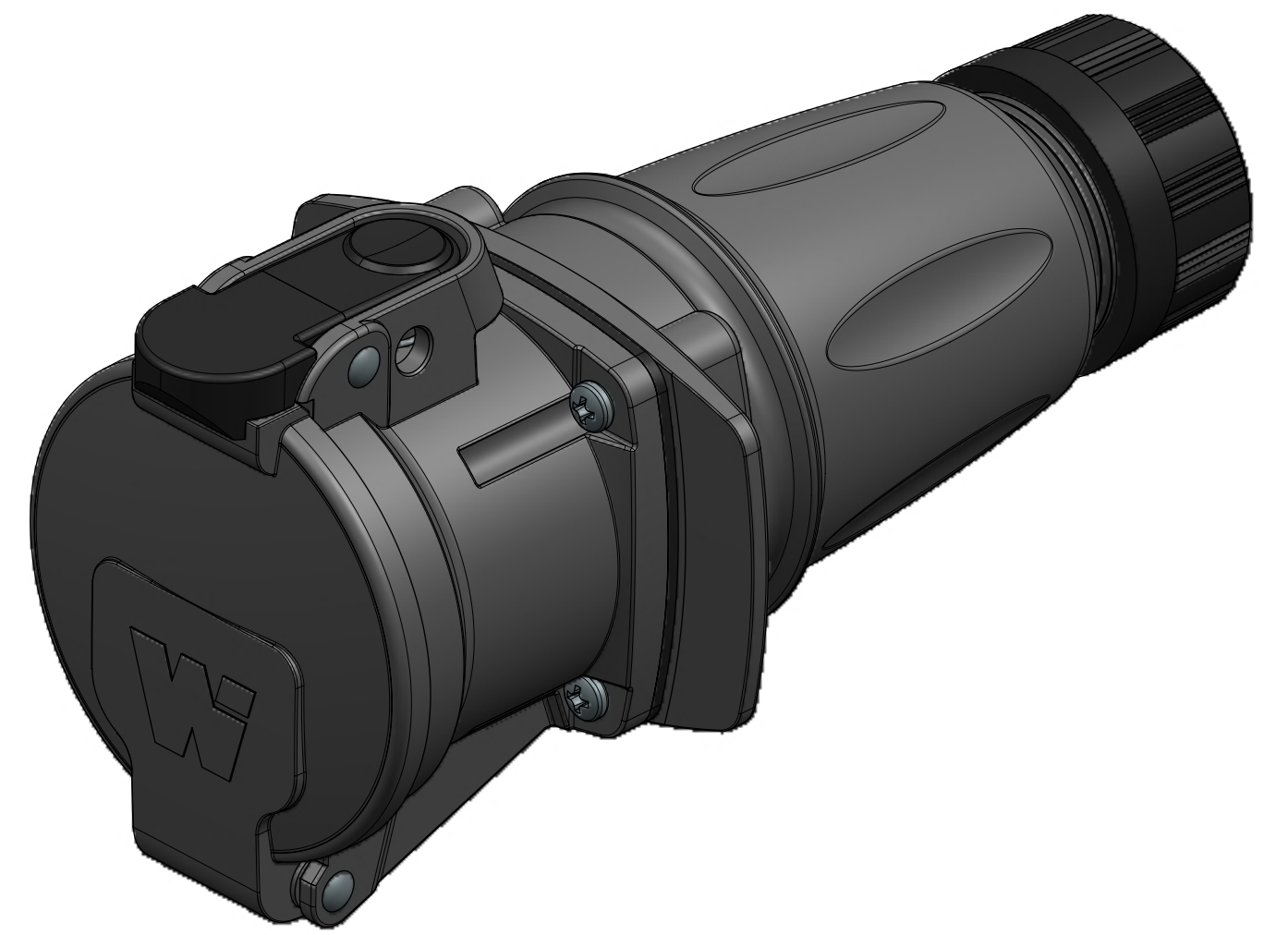


MATERIAL NUMBER	ENG NO.	DESCRIPTION	INSULATOR KEYING POSITION	HORSEPOWER RATING
1122190015	ARC30FHDA01	ARC 30A FHD 125VAC 1P+N+G	7	1 HP
1122190016	ARC30FHDB02	ARC 30A FHD 250VAC 2P+G		3 HP
1122190017	ARC30FHDB03	ARC 30A FHD 250VAC 3P+G		5 HP
1122190018	ARC30FHDAB04	ARC 30A FHD 125/250VAC 2P+N+G	16	NA
1122190019	ARC30FHDC02	ARC 30A FHD 208VAC 2P+G		NA
1122190020	ARC30FHDC03	ARC 30A FHD 208VAC 3P+G		5 HP
1122190021	ARC30FHDC05	ARC 30A FHD 120/208VAC 3P+N+G	4	NA
1122190022	ARC30FHDD01	ARC 30A FHD 277VAC 1P+N+G		NA
1122190023	ARC30FHDE02	ARC 30A FHD 480VAC 2P+G		10 HP
1122190024	ARC30FHDE03	ARC 30A FHD 480VAC 3P+G	14	NA
1122190025	ARC30FHDE05	ARC 30A FHD 277/480VAC 3P+N+G		NA
1122190026	ARC30FHDF02	ARC 30A FHD 600VAC 2P+G		NA
1122190027	ARC30FHDF03	ARC 30A FHD 600VAC 3P+G	14	NA
1122190028	ARC30FHDF05	ARC 30A FHD 347/600VAC 3P+N+G		NA



NOTES:

MATERIALS:
HOUSINGS AND INSULATORS: GLASS FILLED PBT
CONTACTS: COPPER ALLOY WITH A SILVER NICKEL TIP, SILVER PLATED
MOUNTING AND INTERFACE GASKETS: SILICONE
GROMMET - RUBBER
FRICTION RING - NATURAL POLYETHYLENE
COMPRESSION NUT - BLACK PBT
SELF TAPPING SCREWS - STAINLESS STEEL

RATINGS:
CURRENT: 30 AMPS
VOLTAGE AND HORSEPOWER: SEE TABLE
OPERATING TEMPERATURE: -25°C (-13°F) TO 60°C (140°F)
ENVIRONMENTAL: TYPE 4X, IP69K
WIRING CAPACITY: 12AWG MIN. TO 8 AWG MAX.
TORQUE TERMINAL SCREWS TO 1.7 N-M (15 in/lbs)
AGENCY: UL LISTING PENDING
SWITCH RATED RECEPTACLE/CONNECTOR
BRANCH CIRCUIT DISCONNECT SWITCH
MOTOR CIRCUIT DISCONNECT SWITCH IF HP RATED

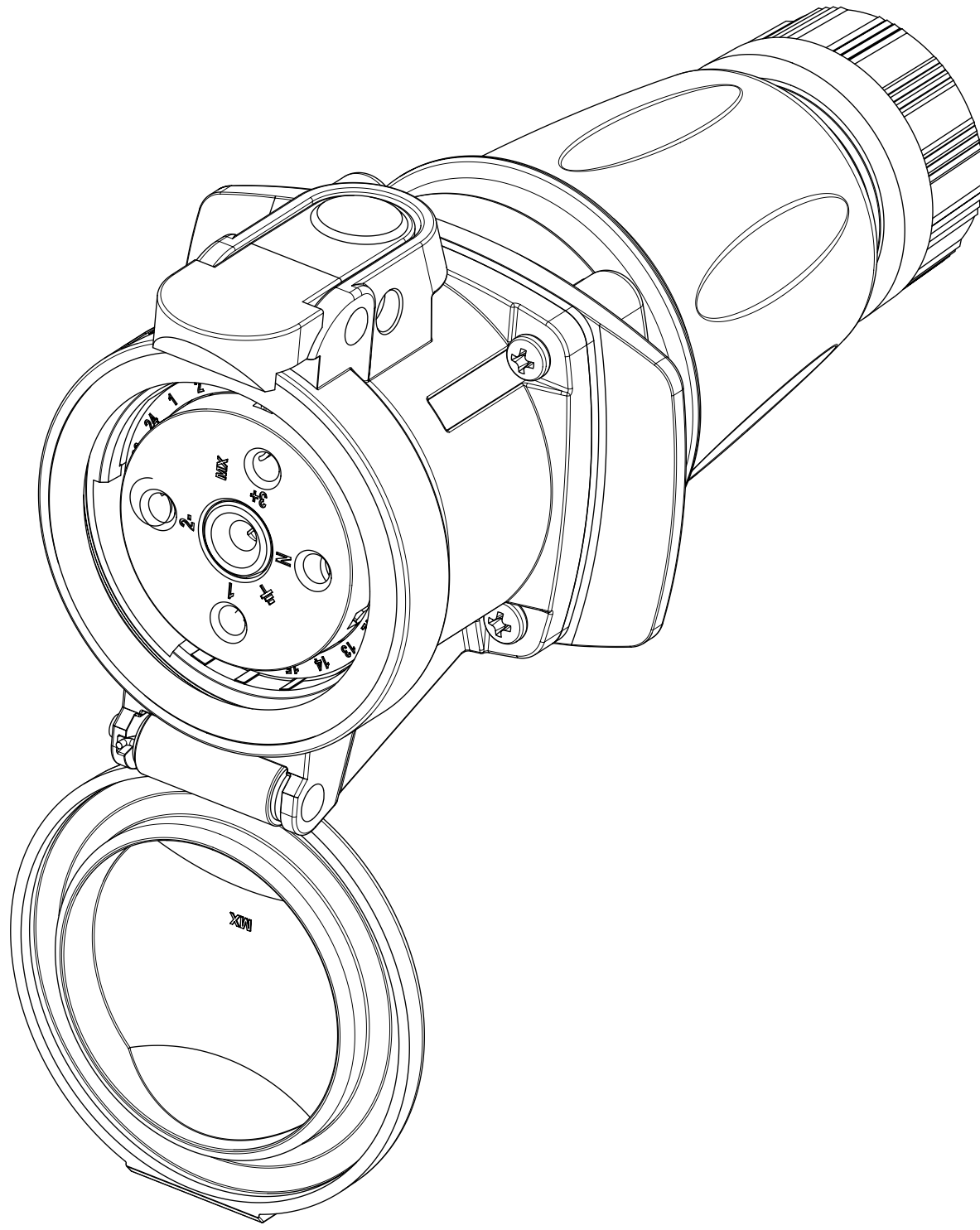
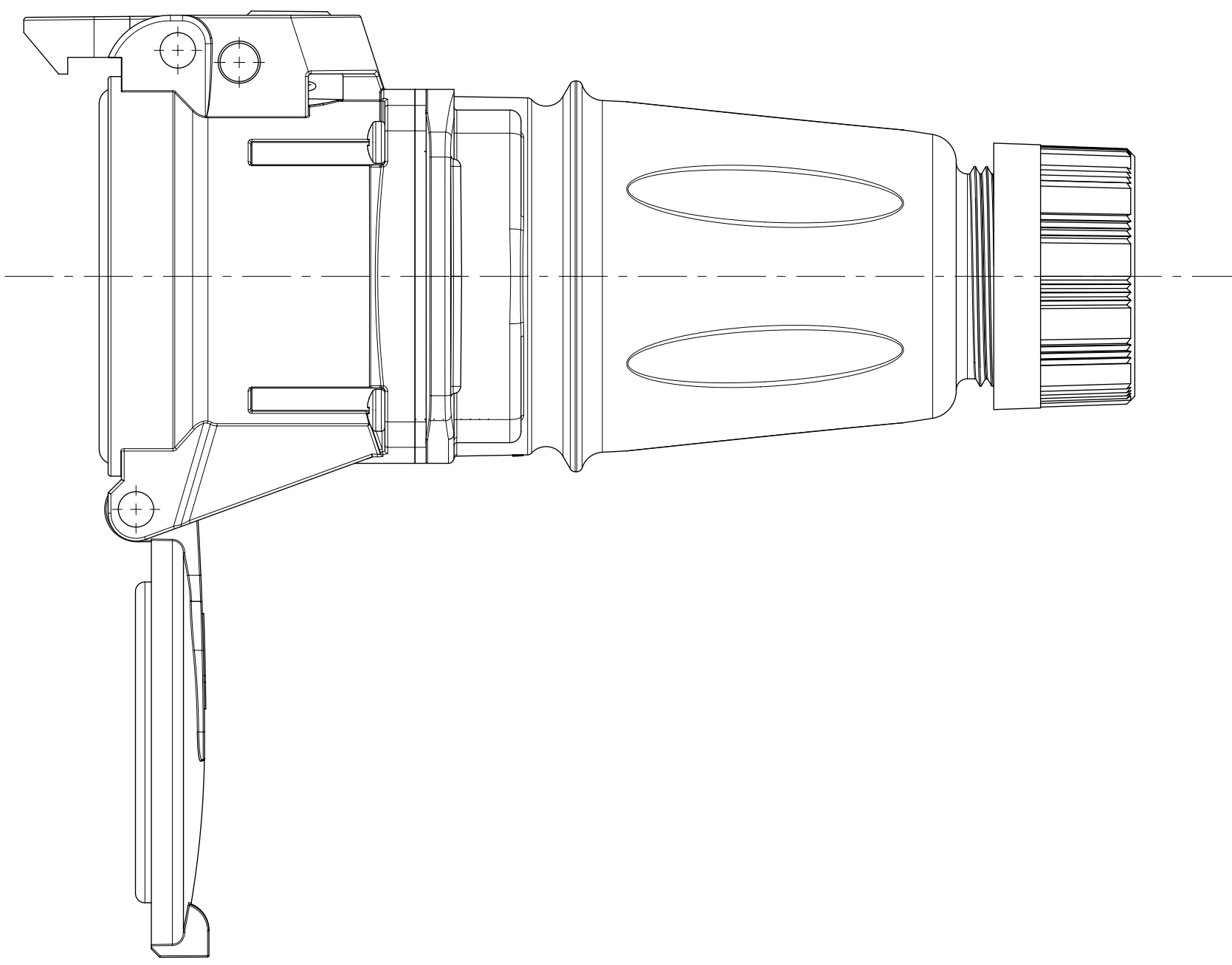
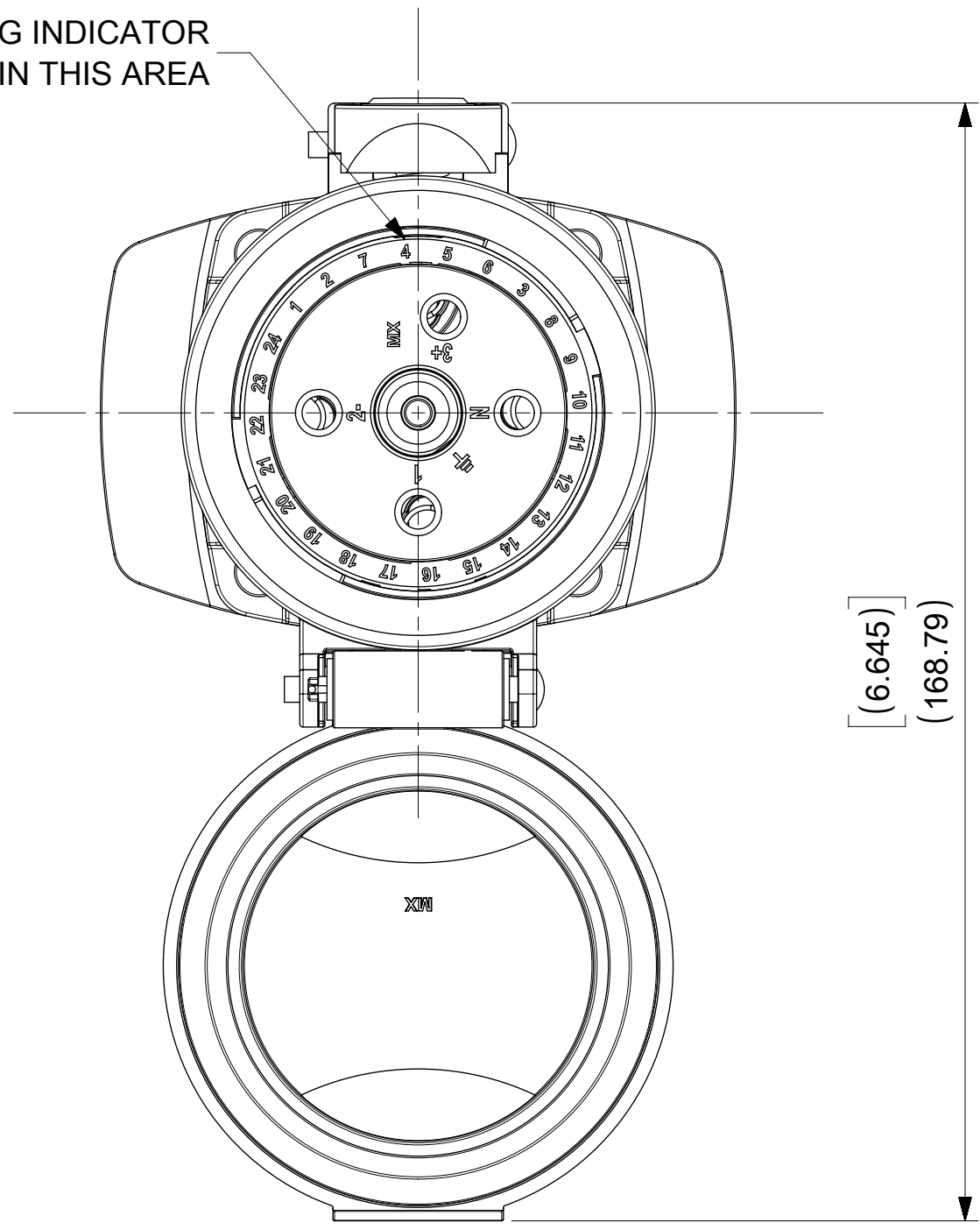
CONNECTOR AND HANDLE ARE PACKAGED AS SUB-ASSEMBLIES AND WILL REQUIRE END USER ASSEMBLY.

GROMMET P/N	GROMMET COLOR	CABLE DIAMETER RANGE
1301800411	GRAY	12.7mm - 15.9mm (.500" - .625")
1301800283	ORANGE	15.9mm - 19.0mm (.625" - .750")
1301800413	BLACK	19.0mm - 22.2mm (.750" - .875")

ARC30FHDE03 SHOWN

SYMBOLS ∇ = 0 ∇ = 0 ∇ = 0 S = 0 ∇ = 0 ∇ = 0 ∇ = 0 ∇ = 0 ∇ = 0 ∇ = 0 ∇ = 0	THIS DRAWING CONTAINS INFORMATION THAT IS PROPRIETARY TO MOLEX ELECTRONIC TECHNOLOGIES, LLC AND SHOULD NOT BE USED WITHOUT WRITTEN PERMISSION DIMENSION UNITS: INCH SCALE: 1:1 CURRENT REV DESC: ADDED 10HP,NEW NOTES:	
	GENERAL TOLERANCES (UNLESS SPECIFIED) MM INCH 4 PLACES ± ± 3 PLACES ± ± 2 PLACES ± ± 1 PLACE ± ± 0 PLACES ± ± ANGULAR TOL ± °	
THIS DRAWING REPLACES SD-112219-002.		PRODUCT CUSTOMER DRAWING
DOCUMENT STATUS: P1 RELEASE DATE: 2018/11/05 17:31:25	MATERIAL NUMBER: 1122190024 CUSTOMER: GENERAL MARKET	DOC TYPE: PSD DOC PART: 000 REVISION: B2 SHEET NUMBER: 1 OF 2

INSULATOR KEYING INDICATOR
LOCATED IN THIS AREA



ARC30FHDE03 SHOWN

SYMBOLS DIMENSION UNITS SCALE CURRENT REV DESC: ADDED 10HP,NEW NOTES GENERAL TOLERANCES (UNLESS SPECIFIED) EC NO: 604773 DRWN: MJANTELEZIO 2018/09/20 CHK'D: JFMURPHY 2018/11/05 APPR: JFMURPHY 2018/11/05 INITIAL REVISION: DRWN: DRWN BY XXXX/XX/XX APPR: APPR BY XXXX/XX/XX DRAFT WHERE APPLICABLE MUST REMAIN WITHIN DIMENSIONS THIRD ANGLE PROJECTION DRAWING SERIES C-SIZE 112219 MATERIAL NUMBER CUSTOMER GENERAL MARKET SHEET NUMBER 2 OF 2	THIS DRAWING CONTAINS INFORMATION THAT IS PROPRIETARY TO MOLEX ELECTRONIC TECHNOLOGIES, LLC AND SHOULD NOT BE USED WITHOUT WRITTEN PERMISSION	molex ARC 30A FHD 480VAC 3P+G PRODUCT CUSTOMER DRAWING				
	INCH 1:1 4 PLACES ± ± 3 PLACES ± ± 2 PLACES ± ± 1 PLACE ± ± 0 PLACES ± ± ANGULAR TOL ± °				DOCUMENT NUMBER 1122190024	DOC TYPE PSD
	1/16 = 0 1/32 = 0 1/64 = 0 1/128 = 0 1/256 = 0 1/512 = 0 1/1024 = 0	DIMENSION UNITS INCH	SCALE 1:1	MATERIAL NUMBER 112219	CUSTOMER GENERAL MARKET	SHEET NUMBER 2 OF 2