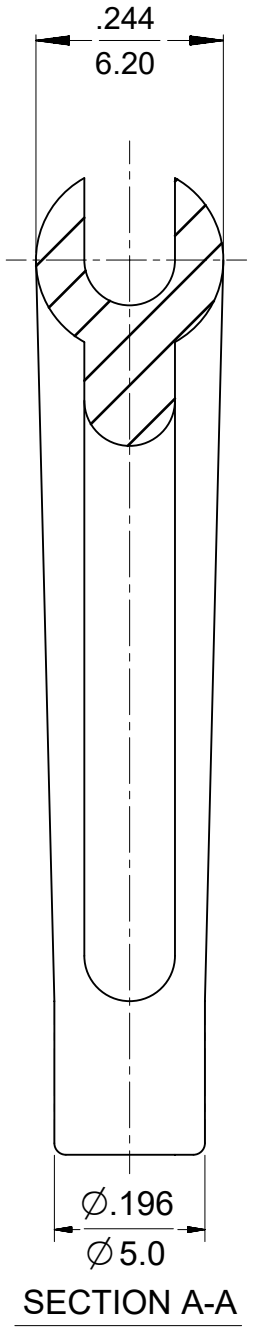
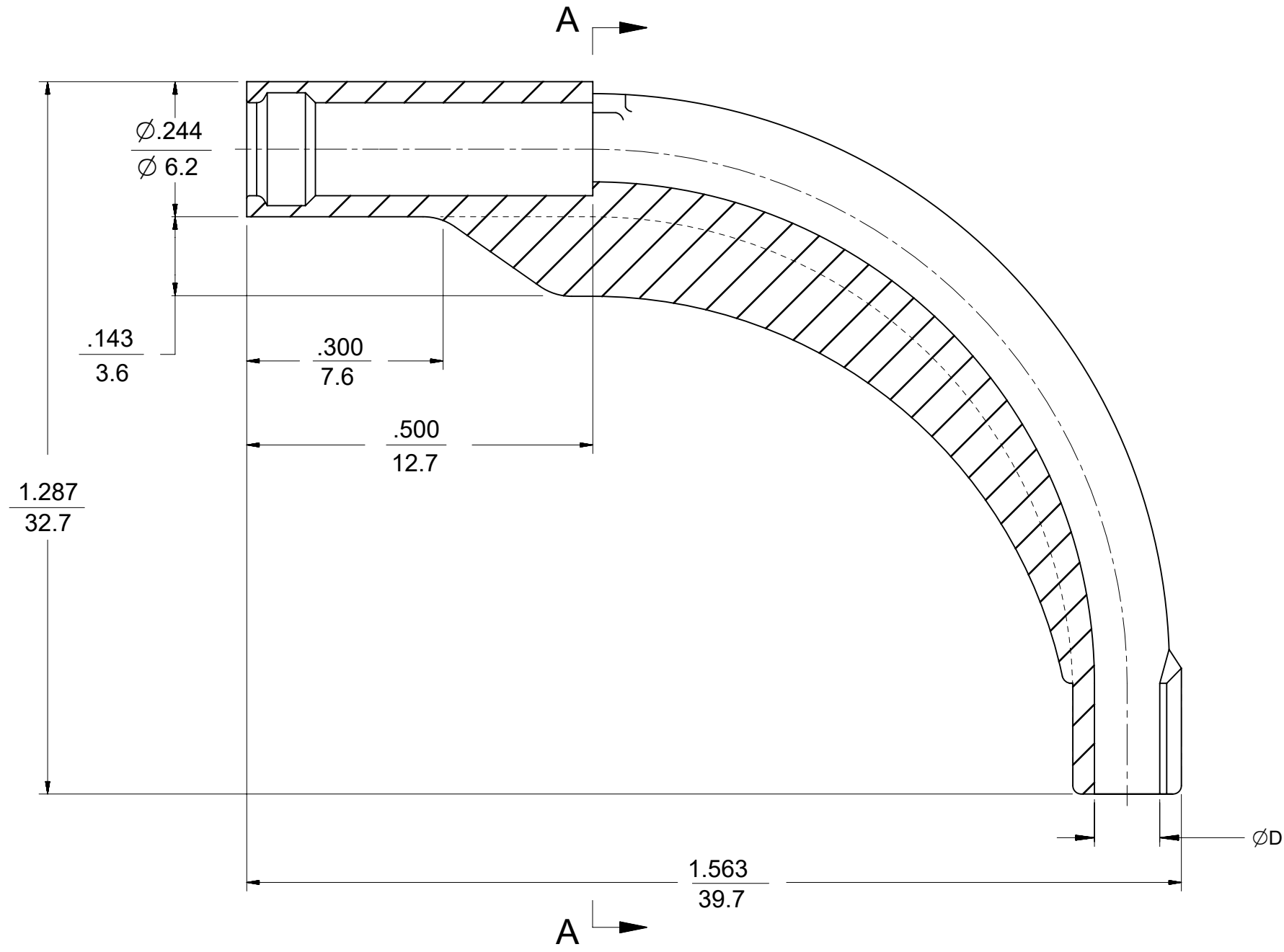
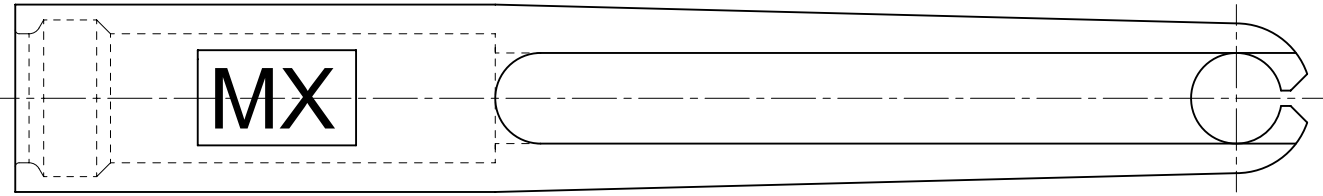


| BOOT PART NUMBER | CABLE DIAMETER | COLOR | ∅D (in/mm) |
|------------------|----------------|--------|--|
| 106063-3401 | 3.0mm | BLUE | $\frac{\emptyset .118}{\emptyset 3.0}$ |
| 106063-3461 | | BEIGE | |
| 106063-3601 | 2.4mm | BLUE | $\frac{\emptyset .086}{\emptyset 2.2}$ |
| 106063-5601 | | YELLOW | |
| 106063-3661 | | BEIGE | |
| 106063-5671 | | BLACK | |
| 106065-5601 | | GREEN | |



THIS DRAWING CONTAINS INFORMATION THAT IS PROPRIETARY TO MOLEX ELECTRONIC TECHNOLOGIES, LLC AND SHOULD NOT BE USED WITHOUT WRITTEN PERMISSION

| | | | | | |
|--|------------------------|--|--------------------------|----------------|---------------|
| DIMENSION UNITS INCH | SCALE 2.5:1 | CURRENT REV DESC: OBSOLETE PART NUMBERS AS PER PCN 508518 | molex | | |
| GENERAL TOLERANCES (UNLESS SPECIFIED) | | EC NO: 671087 | | | |
| 4 PLACES ± | | DRWN: RPRABHUM | 2021/06/03 | | |
| 3 PLACES ± | ± 0.005 | CHK'D: GGA | 2021/08/06 | | |
| 2 PLACES ± | ± 0.01 | APPR: GGA | 2021/08/06 | | |
| 1 PLACE ± | | INITIAL REVISION: | PRODUCT CUSTOMER DRAWING | | |
| 0 PLACES ± | | DRWN: KPEVZNER | 2021/08/15 | | |
| ANGULAR TOL ± 0.5° | | APPR: | DOCUMENT NUMBER | DOC TYPE | DOC PART |
| DRAFT WHERE APPLICABLE MUST REMAIN WITHIN DIMENSIONS | THIRD ANGLE PROJECTION | DRAWING | SD-10606X-XXX1 | PSD | 001 |
| | | SERIES | MATERIAL NUMBER | CUSTOMER | REVISION |
| | | B-SIZE 106063 | SEE TABLE | GENERAL MARKET | E |
| | | | | | SHEET NUMBER |
| | | | | | 1 OF 1 |