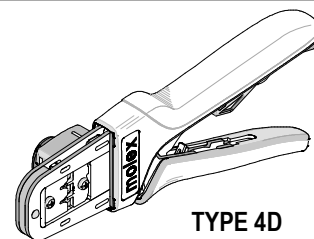




**HAND CRIMP  
TOOL**

**Application Tooling  
Specification Sheet**



TYPE 4D

**Order No. 63823-4500**

**FEATURES**

- A full cycle ratcheting hand tool ensures complete crimps
- Ergonomic soft grip handles for comfortable crimping
- A precision user-friendly terminal locator holds terminals in the proper crimping position
- Right and Left handed applications
- This tool is IPC/WHMA A-620 Class 2 compliant as indicated
- This tool is RoHS compliant; however, RoHS compliance is not required

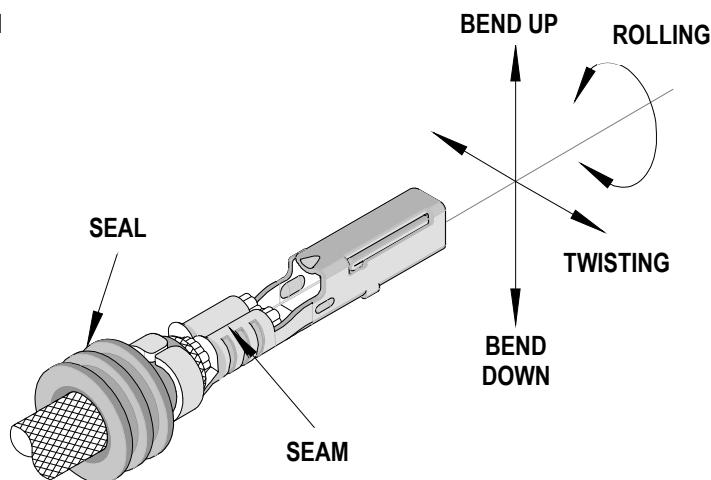
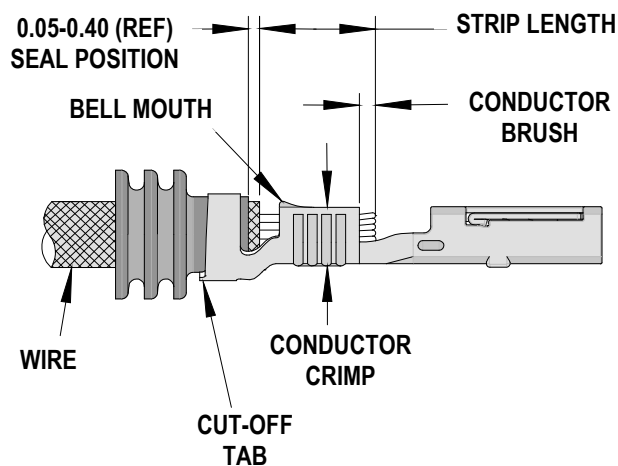
**SCOPE**

Products: CTX150 SWS Receptacle Terminals 0.35-0.50 mm<sup>2</sup>.

Terminal Series No.	Terminal Order No.			Wire Size		Insulation Diameter		Strip Length	
	♦ Reel			Wire Type	mm <sup>2</sup>	mm	In.	mm	In.
502307	502307-3001	502307-3101	502307-3401	T3-ZHID	0.35	1.25-1.60	.049-.063	4.50-5.00	.177-.197
	502307-3006	502307-3106	502307-3501	T3-ZHIA	0.35	1.25-1.60	.049-.063		
				T3-ZHID	0.50	1.40-1.60	.055-.063		
34806	34806-3001	34806-3101	34806-3401	T3-ZHID	0.35	1.25-1.60	.049-.063	4.50-5.00	.177-.197
	34806-3006	34806-3106	34806-3501	T3-ZHIA	0.35	1.25-1.60	.049-.063		
				T3-ZHID	0.50	1.40-1.60	.055-.063		

♦ Customer to cut off terminal from reel: 0.30mm (.012") maximum cut-off tab.

**DEFINITION OF TERMS**



### CONDITIONS

After crimping, the conductor profiles should measure the following:

Terminal Series No.	Bell Mouth		Conductor Brush	
	mm	In.	mm	In.
502307	0.20-0.55	.008-.022	0.20-1.20	.008-.047
34806				

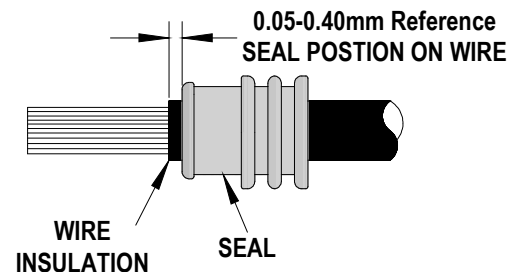
Terminal Series No.	Bend Up	Bend Down	Twist	Roll	Seam
	Degree Max.		Degree Max.		
502307	1	1	2	3	Seam shall not be open and no wire allowed out of the crimping area
34806					

After crimping, the crimp profiles should measure the following:

Terminal Series No.	Wire Size		Conductor				Insulation				Pull Force Minimum	
			Crimp Height		Crimp Width Max.		Crimp Height		Crimp Width			
	Wire Type	mm <sup>2</sup>	mm	In.	mm	In.	mm	In.	mm	In.	N	Lb.
502307	T3-ZHID	0.35	0.81-0.87	.032-.034	1.65	.065	2.67-2.77	.105-109	2.95-3.15	.116-.124	60	13.5
	T3-ZHIA	0.35	0.81-0.87	.032-.034	1.65	.065	2.72-2.82	.107-111	3.00-3.20	.118-.126	60	13.5
	T3-ZHID	0.50	0.80-0.90	.031-.035	1.65	.065	2.72-2.82	.107-111	3.00-3.20	.118-.126	80	18.0
34806	T3-ZHID	0.35	0.81-0.87	.032-.034	1.65	.065	2.67-2.77	.105-109	2.95-3.15	.116-.124	60	13.5
	T3-ZHIA	0.35	0.81-0.87	.032-.034	1.65	.065	2.72-2.82	.107-111	3.00-3.20	.118-.126	60	13.5
	T3-ZHID	0.50	0.80-0.90	.031-.035	1.65	.065	2.72-2.82	.107-111	3.00-3.20	.118-.126	80	18.0

Terminal Series No.	Wire Size		Profile		Single Wire Seal		
	Wire Type	mm <sup>2</sup>	0.35 mm <sup>2</sup>	0.50 mm <sup>2</sup>	Order No.	Color	Seal Allowed Wire Ø
502307	T3-ZHID	0.35	X		See Note 3	See Note 3	See Note 3
	T3-ZHIA	0.35	X				
	T3-ZHID	0.50		X			
34806	T3-ZHID	0.35	X				
	T3-ZHIA	0.35	X				
	T3-ZHID	0.50		X			

#### Cable Seal Position On a Wire (Before crimping)



#### Tool Qualification Notes

1. Pull force should be measured with no influence from the insulation crimp.
2. The above specifications are guidelines to an optimum crimp.
3. See Product Application Specification AS-502307-002 for applicable seal number, color and seal allowed wire diameter.

#### Note:

A crimp height chart is provided with this document as reference only. Because of the wide range of wires, strands, insulation diameters and durometers available, actual crimp height measurements may vary slightly. An occasional destructive pull force test should be performed to check hand tool crimp. Pull force value must exceed the minimum pull force specifications listed.

## OPERATION

**CAUTION:** Crimp only the Molex terminals listed in the scope for this tool. Do not crimp hardened objects because damage can occur to the tool frame or crimp dies.

Open the tool by squeezing the handles together. At the end of the closing stroke, the ratchet mechanism will release the handles and the hand tool will spring open. See Figure 1.

### Crimping Terminals

1. Select the desired terminal listed in the preceding charts.
2. Make sure the center of the locator is in the down position. With the locator attached, push the locator button on the back of the hand tool to bring the locator forward through the tooling. See Figure 2.
3. While holding the locator button in, load the terminal into the proper nest opening in the locator based on the wire gauge or terminal type markings on the hand tooling. See Figure 3.

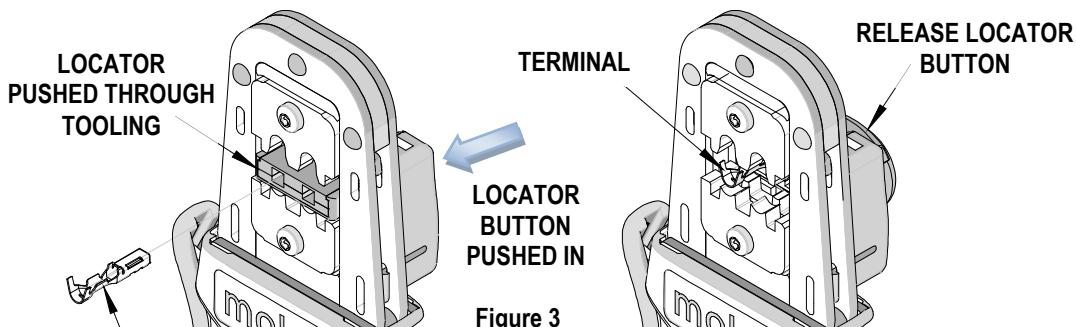


Figure 3

4. Release the locator button, allowing the locator to return to the crimping position.
5. With the hand tool open, insert the properly stripped wire and seal under the punches into the lower part of the upper tooling until the wire is against the locator. See Figure 4.

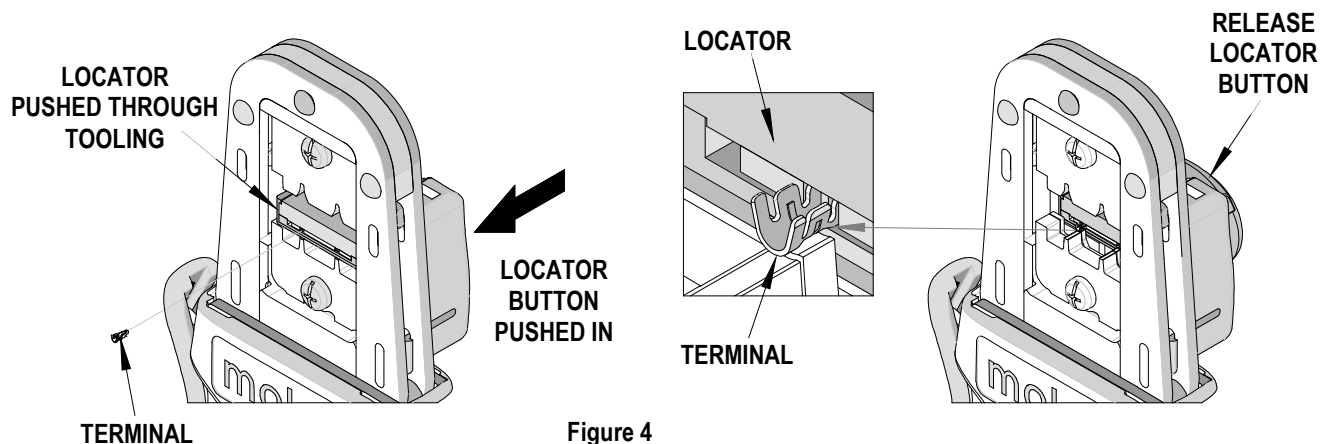


Figure 4

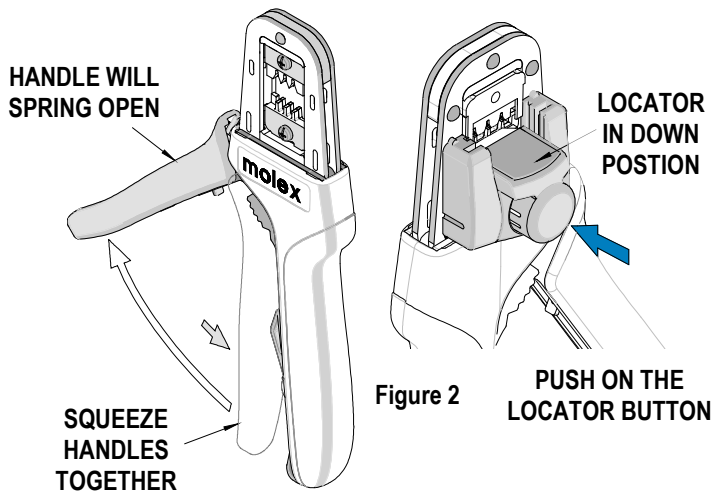


Figure 1

Figure 2

6. The seal position should be under and inside the punches. Keep this position while crimping.
7. Crimp the terminal by squeezing the tool handles until the ratchet mechanism cycle has been completed. Release the handles to open the jaws.

**Note:** The tamper-proof ratchet action will not release the tool until it has been fully closed.

8. Remove the crimped terminal from the terminal locator by pulling on the wire.
9. Visually inspect the crimped terminal for proper crimp location.
10. On some large O.D. wires, it may not be possible to insert the wire with the tool partially closed. Those wires should be inserted with the hand tool in the open position. Insert the wire above the terminal in the punch and against the locator, and then close the tool. See Figure 6.

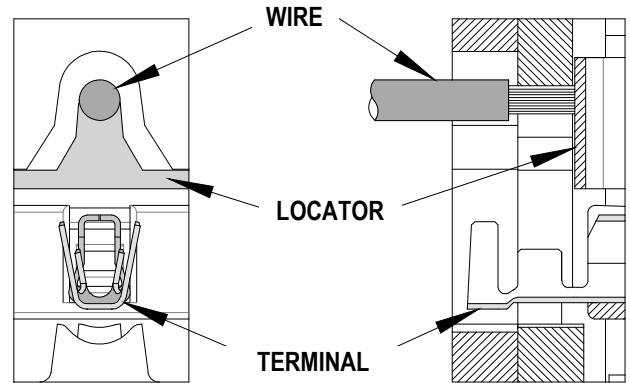
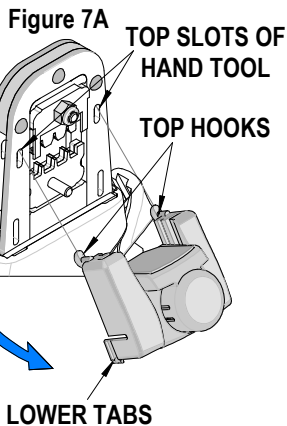
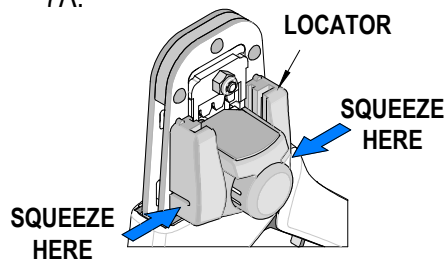


Figure 6

### Locator Replacement

See the parts list on the last page of this document for the proper locator order number. Follow the steps below to replace the locator:

1. Open the crimp hand tool.
2. Squeeze gently on the lower area shown in Figure 7A with your thumb and index finger. The lower tabs of the locator should disengage from the hand tool.
3. Lift and pull away from the hand tool. The top locator hooks should slip out of the top slots easily. See Figure 7A.



MAKE SURE CENTER OF LOCATOR IS IN THE DOWN POSITION

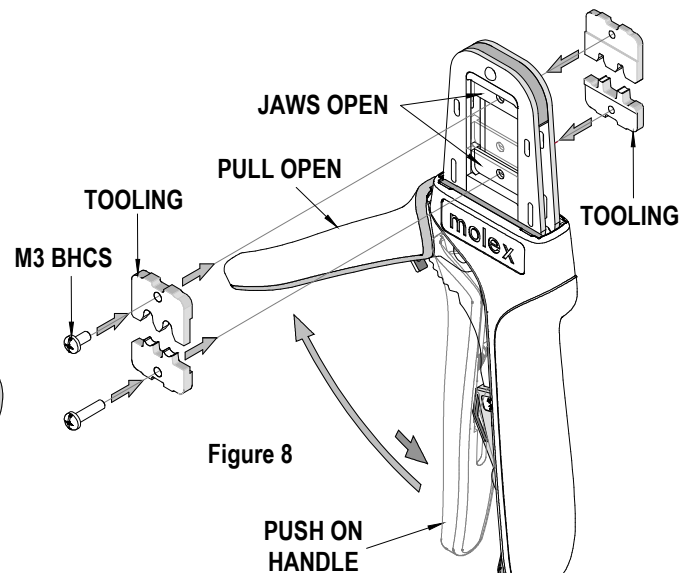
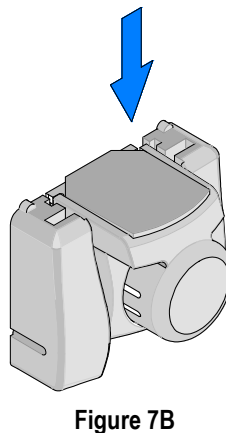


Figure 8

4. To reinstall the new locator, make sure the hand tool is in the open position.
5. Press the red insert down as far as it will go as shown in Figure 7B.

6. Holding onto the lower part of the locator with your thumb and index finger, insert the locator's top hooks (2) into the hand tool's top slots.
7. Rotate the locator down, and press the lower tabs into the two bottom slots of the hand tool. To secure the locator into place, the lower tabs must snap into place on the hand tool frame.

### Right or Left Hand Operation

This hand tool has an added feature that can be converted from a right handed application to a left handed application. It is necessary to reverse the tooling if using the left handed application along with the locator. Follow the steps below:

1. The locator must be removed before reversing the tooling.
2. Remove the M3 BHCS, which is holding the upper tooling.
3. Flip the upper tooling to the opposite side, and replace the M3 BHCS. Make sure the small markings on the front and back of the hand tool frame match up and are on the outside of the hand tool frame. See Figures 8 and 9.
4. Do the same thing with the lower tooling, and tighten the M3 screws. Be sure the small markings line up.
5. Reinstall the locator by following the instructions in the locator replacement section.

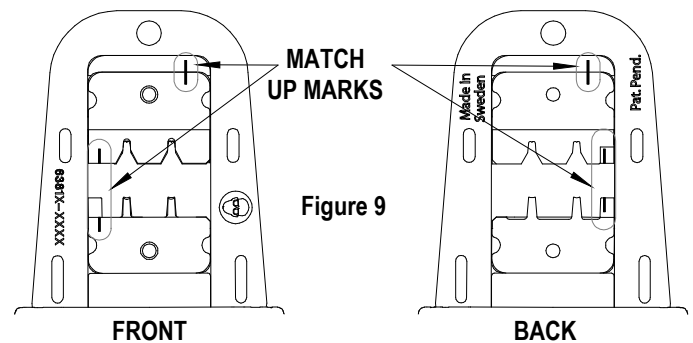


Figure 9

### Maintenance

It is recommended that each operator of the tool be made aware of and responsible for the following maintenance steps:

1. Remove dust, moisture and other contaminants with a clean brush or a soft lint-free cloth.
2. Do not use any abrasive materials that could damage the tool.
3. Make certain all pins, pivot points and bearing surfaces are protected with a thin coat of high-quality machine oil. Do not oil excessively. The tool was engineered for durability, but like any other equipment, it needs cleaning and lubrication for a maximum service life of trouble-free crimping. Light oil (such as 30 weight automotive oil) used at the oil points every 5,000 crimps or 3 months will significantly enhance the tool life.
4. Wipe excess oil from the hand tool, particularly from the crimping area. Oil transferred from the crimping area onto certain terminations may affect the electrical characteristics of an application.
5. When the tool is not in use, keep the handles closed to prevent objects from becoming lodged in the crimping dies, and store the tool in a clean, dry area.

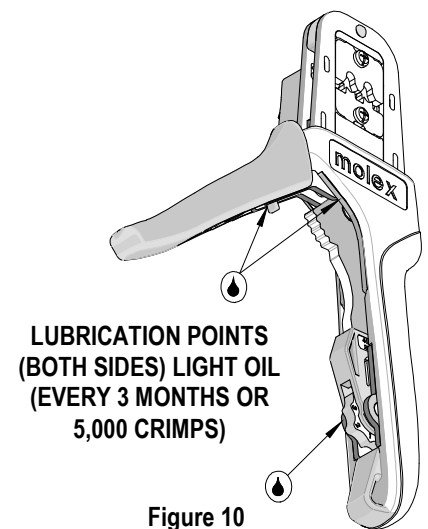


Figure 10

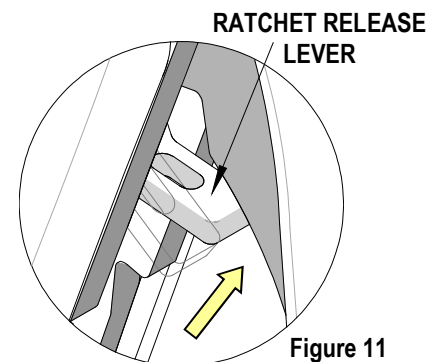


Figure 11

### Miscrimps or Jams

Should this tool ever become stuck or jammed in a partially closed position,

**Do Not force the handles open or closed.** The tool will open easily by pressing up on the ratchet release lever in the movable handle. See Figure 11.

## How to Adjust Tool Preload

(See Figure 12)

This hand tool is factory preset to 25-45 pounds preload. It may be necessary over the life of the tool to adjust tool handle preload force. Listed below are the steps required to adjust the crimping force of the hand tool to obtain proper crimp conditions:

1. Hold the hand tool in the palm of your hand as shown in Figure 12. Using your index finger, squeeze the link toward the top of the hand tool frame. This will release the preload adjustment wheel.
2. Rotate the setting wheel counterclockwise (CCW) to increase handle force. The numbers will display higher. To decrease handle force, rotate the setting wheel clockwise (CW).
3. Release the link to lock the setting wheel in place.
4. Check the crimp specifications or conduct a pull test after tool handle preload force is adjusted.

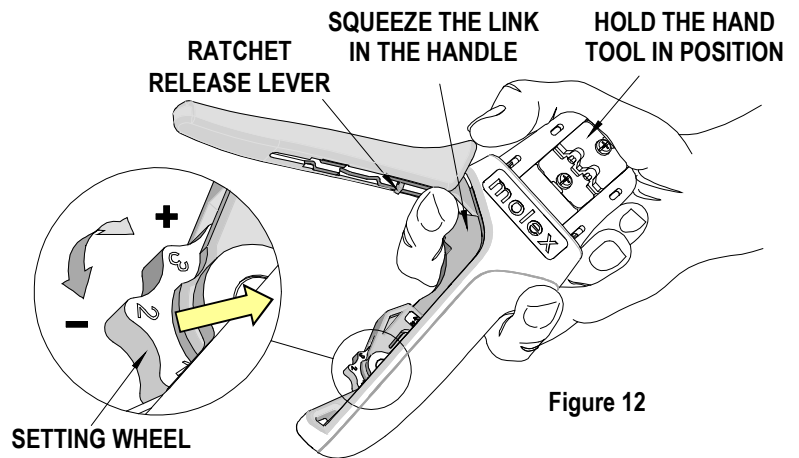


Figure 12

## Warranty

This tool is for electrical terminal crimping purposes only. This tool is made of the best quality materials. All vital components are long life tested. All tools are warranted to be free of manufacturing defects for a period of 30 days. Should such a defect occur, Molex will repair or exchange the tool free of charge. This repair or exchange will not be applicable to altered, misused or damaged tools. This tool is designed for hand use only. Any clamping, fixturing or use of handle extensions voids this warranty.

**CAUTION:** Molex crimp specifications are valid only when used with Molex terminals and tooling.

## CAUTIONS:

1. Manually powered hand tools are intended for low-volume use or field repair. This tool is **NOT** intended for production use. Repetitive use of this tool should be avoided.
2. Insulated rubber handles are not protection against electrical shock.
3. Wear eye protection at all times.
4. Use only the Molex terminals specified for crimping with this tool.

## Certification

Molex does not certify or re-certify hand tools but rather supplies the following guidelines for customers to re-certify hand tools:

- % This tool is qualified to pull force only. To re-certify, crimp a terminal to a wire that has been stripped 12.7mm (.50") long so that there is no crimping of the insulation. Pull the terminal and wire at a rate no faster than 25mm (1.00") per minute. See the Molex website for the Quality Crimp Handbook for more information on pull testing.
- % If the tool does not meet minimum pull force values, handle preload should be increased, and the pull test should be rerun (see How to Adjust Preload).
- % When the hand tool is no longer capable of achieving minimum pull force, it should be taken out of service and replaced.

**PARTS LIST**

Item Number	Order Number	Description	Quantity
REF	63823-4500	Hand Crimp Tool	Figure 13
1	63823-4575	Locator Assembly	1
2	63810-0104	Spring, Return	1
3	63810-0105	Spring, Ratchet	1

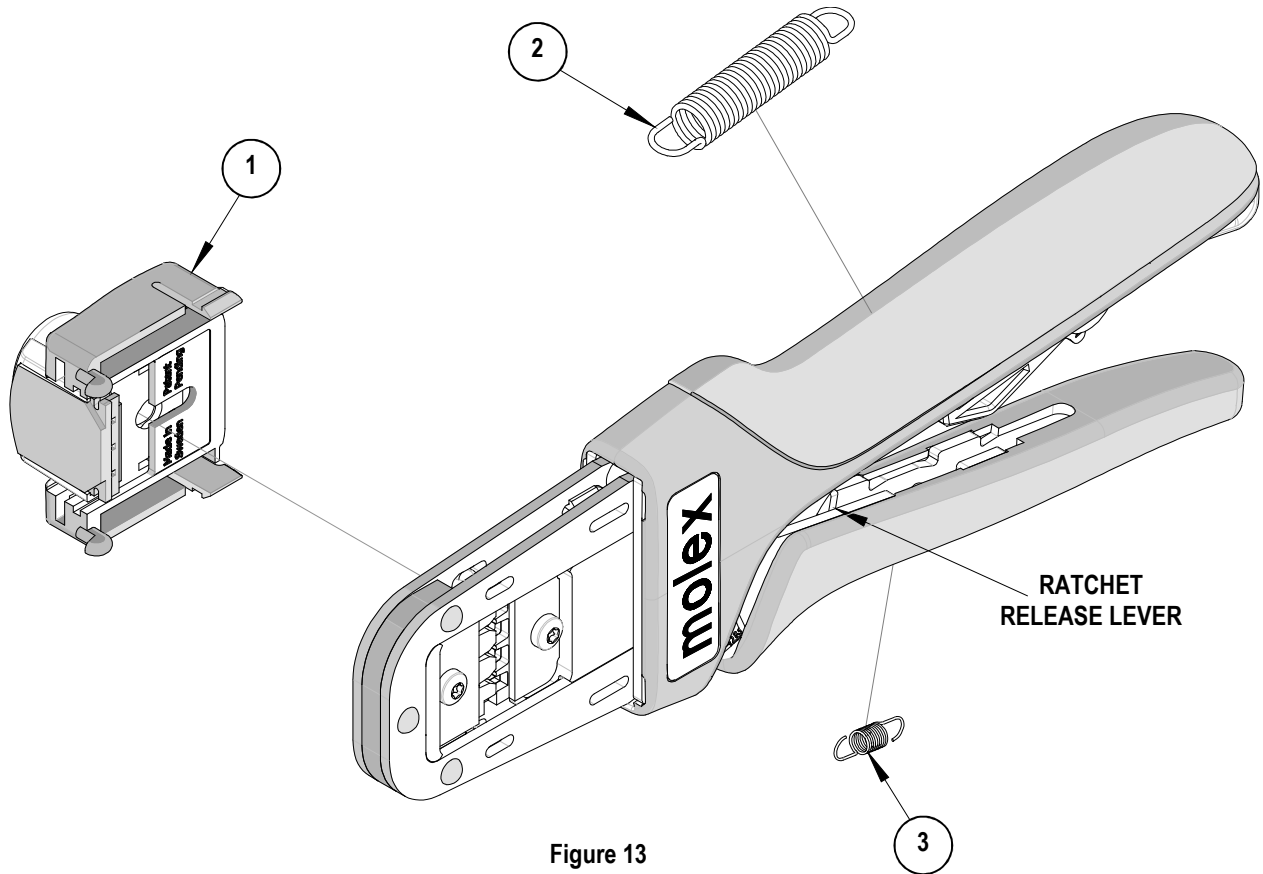


Figure 13

**Application Tooling Support**

**Phone:** (402) 458-TOOL (8665)  
**E-Mail:** [applicationtooling@molex.com](mailto:applicationtooling@molex.com)  
**Website:** [www.molex.com/applicationtooling](http://www.molex.com/applicationtooling)

Molex is a registered trademark of Molex, LLC in the United States of America and may be registered in other countries; all other trademarks listed herein belong to their respective owners.