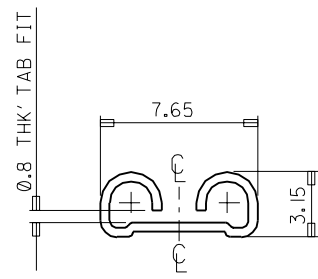
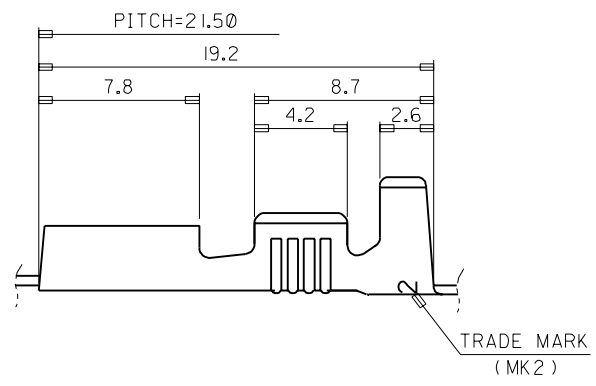
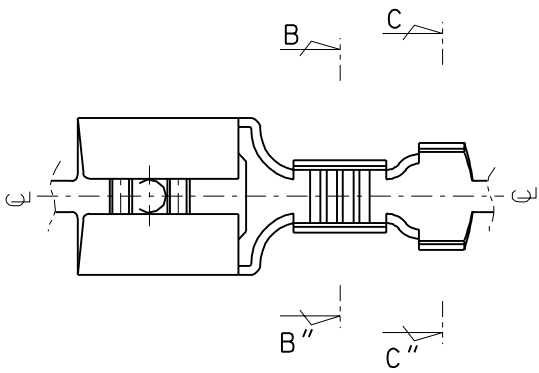


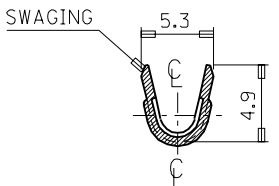
- NOTES
 1. MATERIAL : BRASS , 0.45mm THICKNESS
 2. PART NUMBER

PART NUMBER	FINISH
35725-2700	UNPLATED
35725-2710	POST PLATED TIN
35725-2740	POST PLATED TIN-LEAD

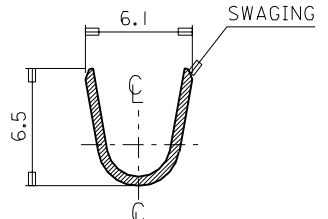
3. MATING TAB THICKNESS : 0.8 mm



VIEW "A"

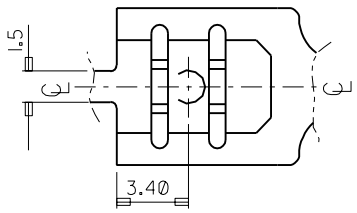


SEC' : B-B''



SEC' : C-C''

"A" →



WIRE RANGE AWG #14-#10					MATERIAL SEE NOTES	MOLEX-KOREA CO.,LTD.		
INSULATION RANGE Ø 3.8 -5.3	C	REVISED	97-015	97.2.18	GENERAL TOLERANCE DIMENSION : 1 PLCS : +0.30 ANGLE : 2 PLCS : +0.20			DRAWN BY J. S. KANG
DIE FEED: //	B	REVISED	96-048	96.4.19	DIMENSION CLASSIFICATION ▽ : CRITICAL ▾ : MAJOR () : REFERENCE	APP'D BY	SCALE 4.5 : 1	
APPLICATOR FEED: 21.50	A	CAD REDRAWING		93.7.2		TITLE : .250 SLIP-ON RECEPTACLE (SLOT)-L		SHEET 1 of 1
O'TY/ REEL OR PACK 4.000 O'TY/REEL	LTR	REVISION RECORD	ECN	DATE	ASS'Y PART DESCRIPTION/ ENG. NO.	ENG. NO.	SEE NOTES	REV C
REVISE ONLY ON CAD SYSTEM					//	//		