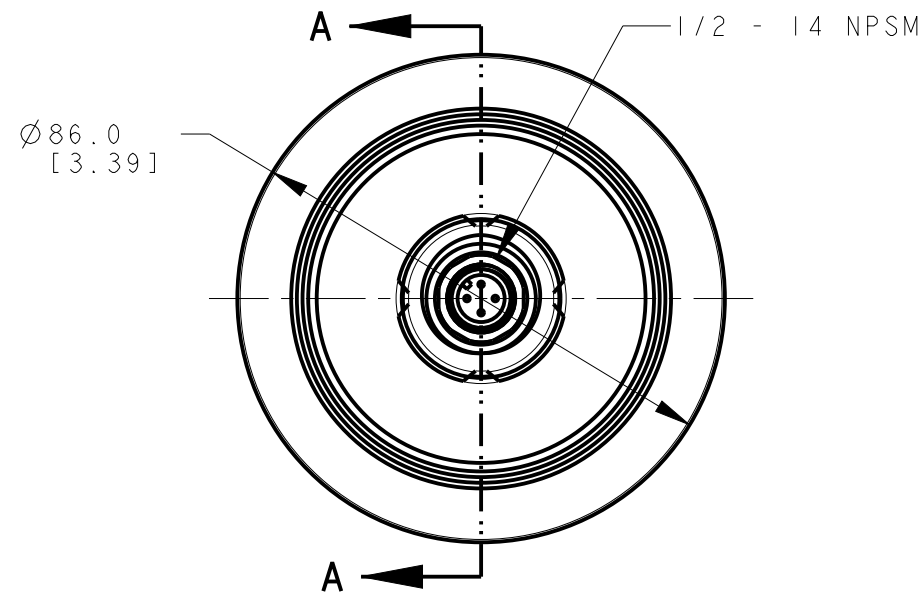
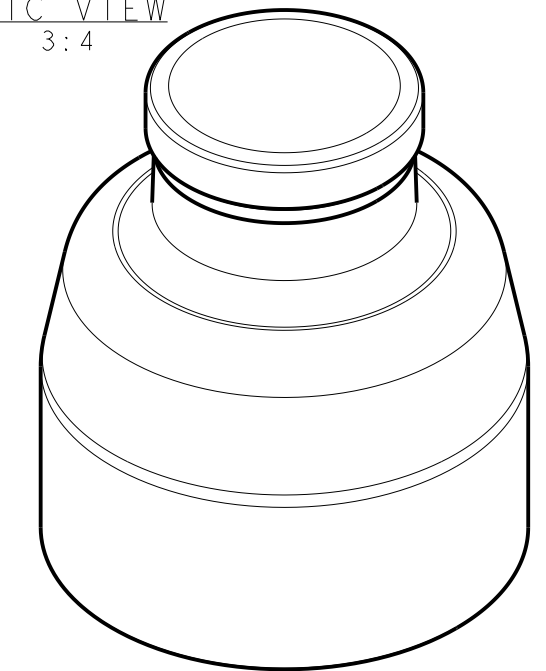


ISOMETRIC VIEW
SCALE 3:4



SECTION A-A

This drawing is the property of BANNER ENGINEERING CORP. Any use or reproduction, in any form, without prior written permission of Banner is prohibited. © 2015 Banner Engineering Corp.



BANNER ENGINEERING CORP.

www.bannerengineering.com

TITLE

SSA EBIP ECWC OD
WEB CAD DRAWING 2D/3D

SIZE B

DRAWING NO. 192625

REV. C

SCALE 3:4

SHEET 1 OF 1

CREO

- NOTES:
1. ALL DIMENSIONS ARE MILLIMETERS [INCHES] UNLESS OTHERWISE NOTED.
2. REFER TO "www.bannerengineering.com" FOR ADDITIONAL DATA AND SPECIFICATIONS.

THIRD ANGLE PROJECTION

