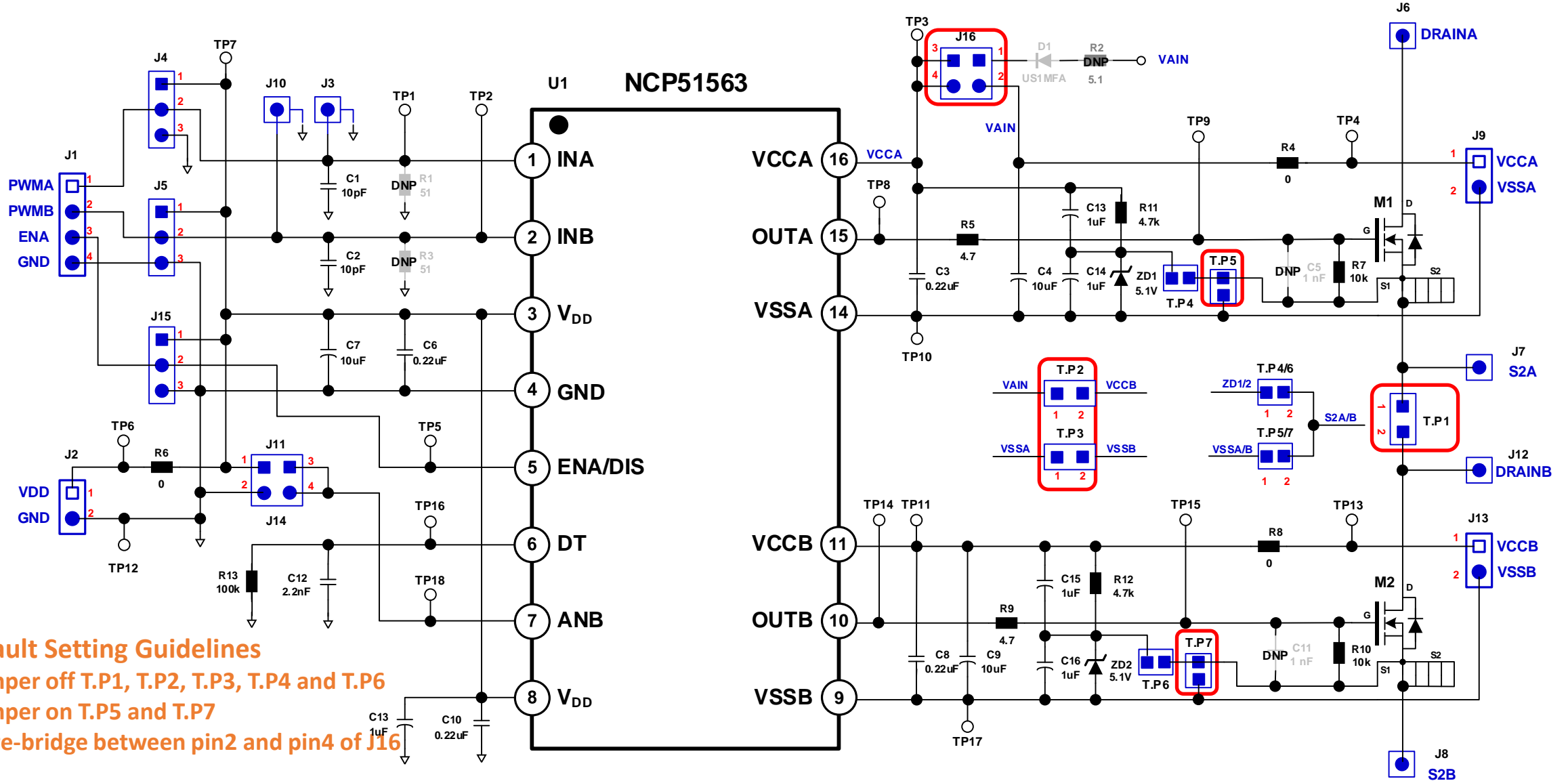


# **EVBUM2821 – NCP51563 Evaluation Board**

## **NCP51563 EVB Schematic**

# EVBUM2821 - EVB Schematic for D2PAK-7L



## Default Setting Guidelines

- Jumper off T.P.1, T.P.2, T.P.3, T.P.4 and T.P.6
- Jumper on T.P.5 and T.P.7
- Wire-bridge between pin2 and pin4 of J16

# onsemi<sup>TM</sup>

Intelligent Technology. Better Future.

Follow Us @onsemi



[www.onsemi](http://www.onsemi)