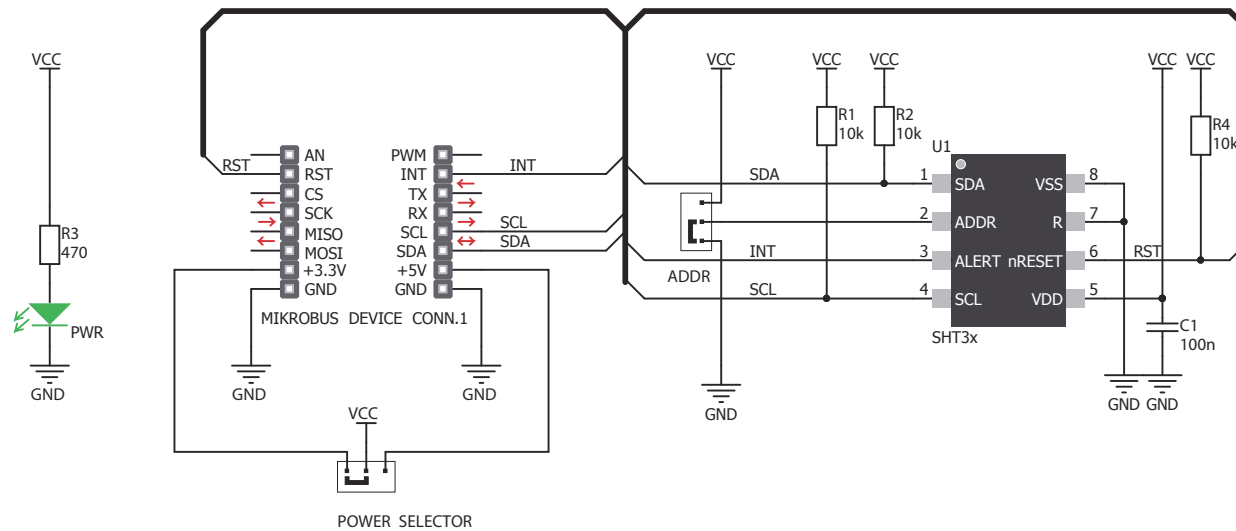


SHT click board™ Schematic



www.mikroe.com