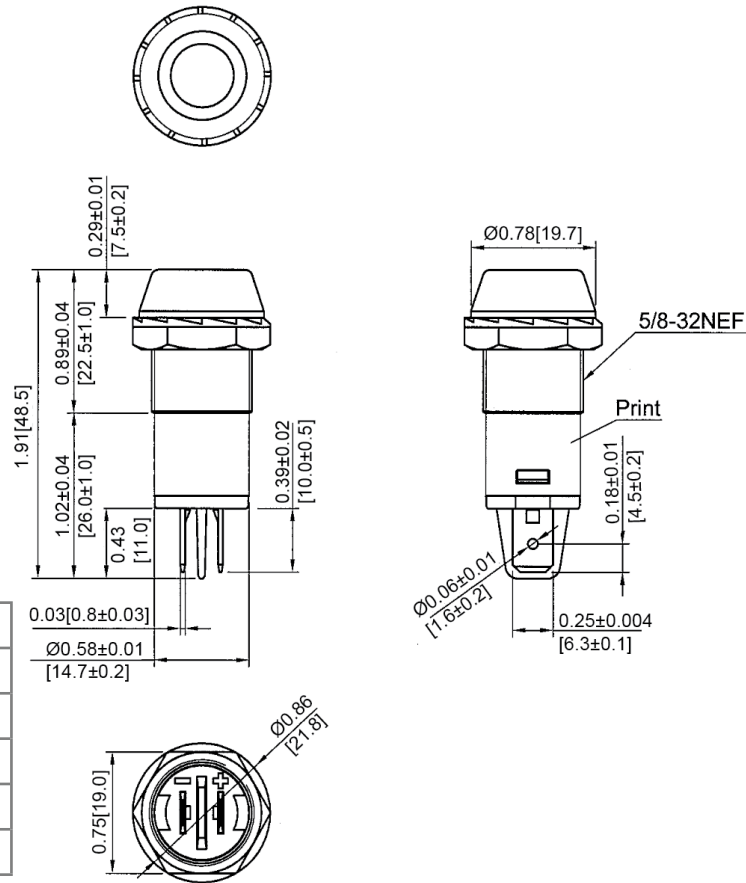


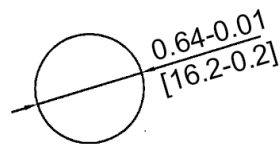
Mechanical Dimensions: Inches [mm]

Tolerances ± 0.012 [0.3] Unless Otherwise Specified



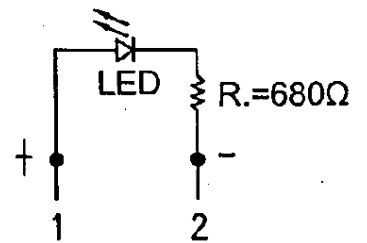
LED Color	Green
Lens Color	White Diffused
VF	3.9V
IF	20mA
Iv (mcd)	700mcd
Viewing Angle	120°

Mounting Hole



Panel Thickness: 0.02-0.35 [0.5~9.0]

Circuit Diagram



Electrical Specifications

Voltage Rating	12VDC
Insulation Resistance	DC 500V 100M ohms
Dielectric Strength	AC 1500V 1 min
Operating Temperature	-25°C ~ 85°C

Material Specifications

LED Size	10mm
Body	Nylon 66 (UL94V-2)
Base	Nylon 66 (UL94V-2)
Terminal	Brass, Nickel Plated

Rev **Date of issue** **Revision Notes**

Designed **Approved**

A	11-30-2020	Initial Drawing	RC	OF
---	------------	-----------------	----	----