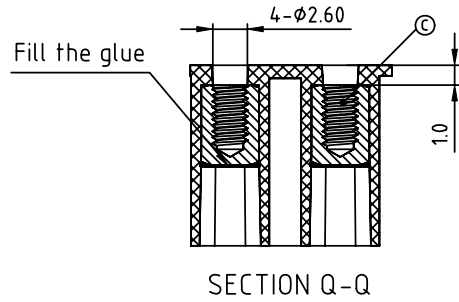
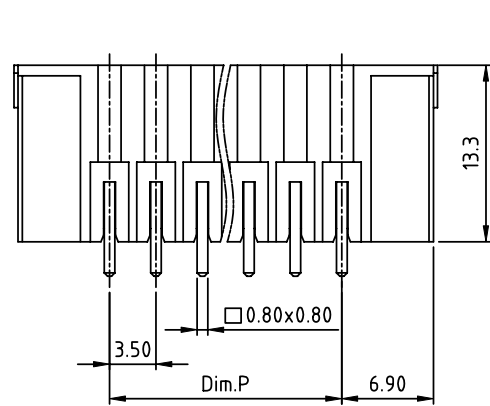
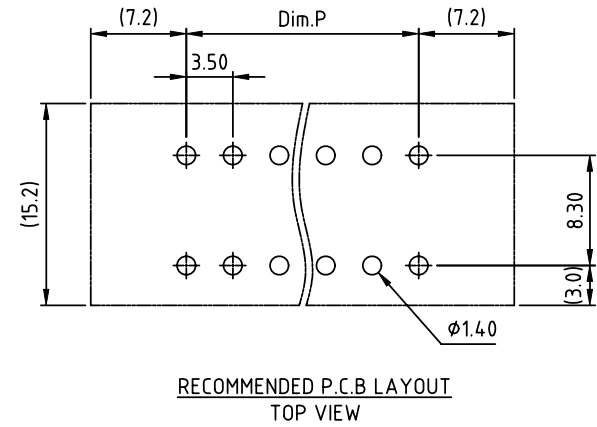
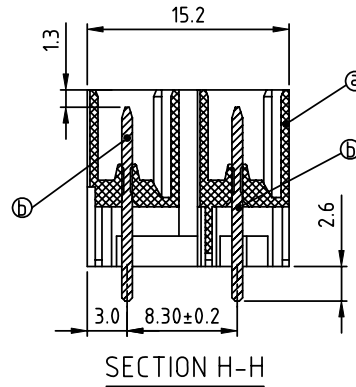
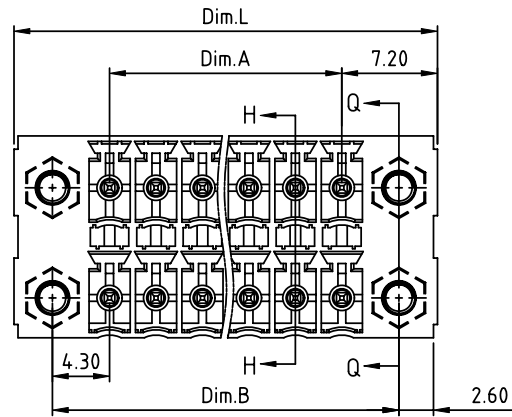


PRODUCT NUMBER	PITCH
KExx12x0A0J0G	3.50 mm



- Material:
- Item a Terminal(housing):Thermoplastic (UL94 V-0)
 - Item b Pin: Copper Tin plated
 - Item c Flange screw NUT: Brass M 2.5

- Electrical: cULus
- Voltage rating: 160V
 - Current rating: 5.5A
 - Withstanding Voltage: 1.32 KV
 - Operating temperature: -40°C to +115°C
 - Soldering temperature: 260°C ±5°C/5 Sec
 - Safety Approval:

DIMENSION

Dim.L	(N/2-1) × 3.5+14.4
Dim.P	(N/2-1) × 3.5
Dim.A	(N/2-1) × 3.5
Dim.B	(N/2-1) × 3.5+8.6

N=Number of poles

poles	Dim.L	Dim.P	Dim.A	Dim.B
2×2P-2×5P	±0.20	±0.15	±0.15	±0.15
2×6P-2×16P	±0.30	±0.25	±0.25	±0.25
2×17P-2×24P	±0.40	±0.30	±0.30	±0.30

PART NO.: KE xx 1 2 x 0 A0J0 G

- | | | |
|--------------|---------------------|-----------------|
| | Color | RoHS compliant |
| Solid block | 0 Black (RAL9005) | (lead<4%) |
| No. of poles | 2 Red (RAL3001/D) | In copper Alloy |
| 04 2x2poles | 3 Orange(RAL2011/P) | |
| 06 2x3poles | 4 Yellow(RAL1018/A) | |
| ... | 5 Green(RAL6018/T) | |
| 48 2x24poles | 6 Blue (RAL5015/A) | |
| | 8 Grey(RAL7035/D) | |
| | 9 White(RAL1102) | |
| | C Green(RAL6018/U) | |

mat'l. code		surface ASME Y14.5	tolerance ASME Y14.5	projection 	product family TERMINAL BLOCK
ltr	ecn no	dr	date	MM	title TERMINAL BLOCK PLUGGABLE SOCKET,VERTICAL,WITH FLANGE
tolerances unless otherwise specified					
angles		X.±0.5		scale	dwg no KExx12x0A0J0G
φ		X.X±0.3			
X°±1°		X.XX±0.1			type CUSTOMER Drawing
dr	EVIN ZHONG	042414			
enr	EVIN ZHONG	042414			
chr	HANKE FENG	042414			
appd	SHI JUN	042414			
sheet index	revision	A			
	sheet	1			