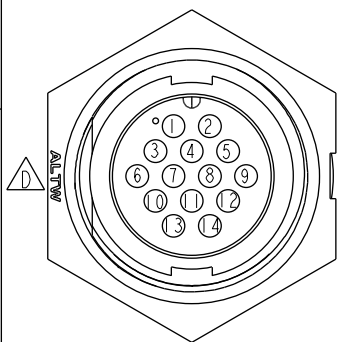
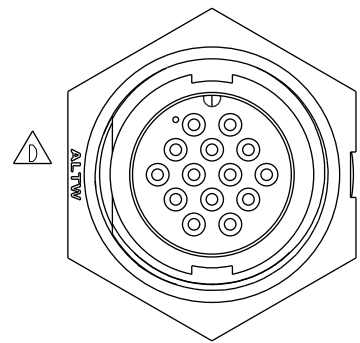
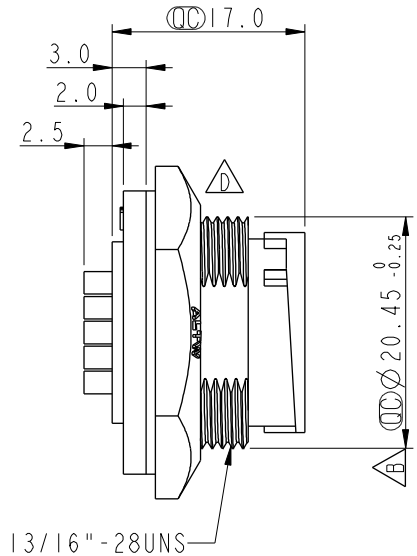
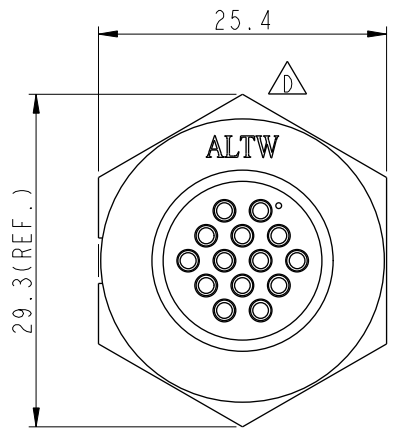
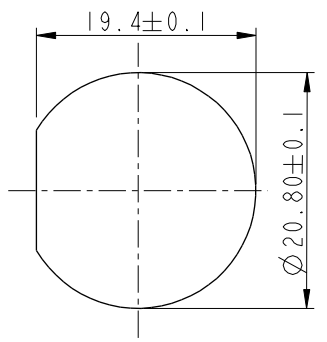


REV.	ECN NO.	DATE	SIGN	DESCRIPTION
C	LEN-8B0090	2008/09/25	Shin	Add Note
D	LEN1530028	2014/10/13	Jason.Yu	Modify LOGO
E	CI90310	2019/03/08	Ruru	Modify Note

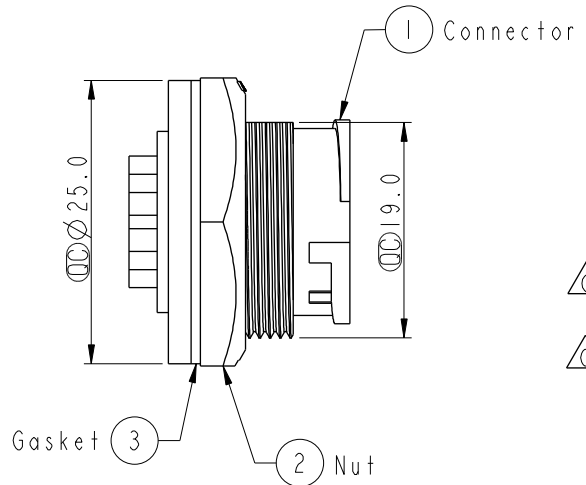
ALTW  
CONFIDENTIAL  
2019-03-08  
R&D DEPT.



Pin Assignments  
Front View



Recommended Panel Cut-Out



- Note:  $\triangle E$
- \*  $\text{CC}$  Important Dimension To Check.
  - \* Waterproof Rate: IP67, Unmated
  - \* Housing: Thermoplastic, Black
  - \* Pin: Copper Alloy, Gold Plated
  - \* Nut: Thermoplastic, Black
  - $\triangle C$ \* Gasket: Rubber, Black
  - \* Use with waterproof cap or dust cap  
Panel Thickness Max: 3.0mm
  - $\triangle C$ \* Use without waterproof cap or dust cap  
Panel Thickness Max: 4.0mm
  - \* Gasket and Nut are packed separately in PE bags.

UNIT:mm	Middle, Panel Lock 14Pin M Conn. M Pin		<b>Amphenol LTW</b>		ITEM NO	CD-14PMMS-LC7001	DRAWN BY	Ruru	DATE	2019-03-08	
	TOLERANCE		SCALE	SIZE	安費諾亮泰企業股份有限公司		DWG NO	CHECKED BY	Rita	DATE	2019-03-08
	.X	±0.25	1:1	A4	WC-REV.	A.2	CUSTOMER	APPROVED BY	Max	DATE	2019-03-08
	.XX	±0.1	REV.	E							
.XXX	±0.05										
ANGLES	±1°										

THIS DOCUMENT IS SUBJECT TO CHANGE WITHOUT NOTICE. IT IS CONFIDENTIAL AND A PROPERTY OF AMPHENOL LTW. DISCLOSURE TO THIRD PARTY HAS TO BE AUTHORIZED BY AMPHENOL LTW.