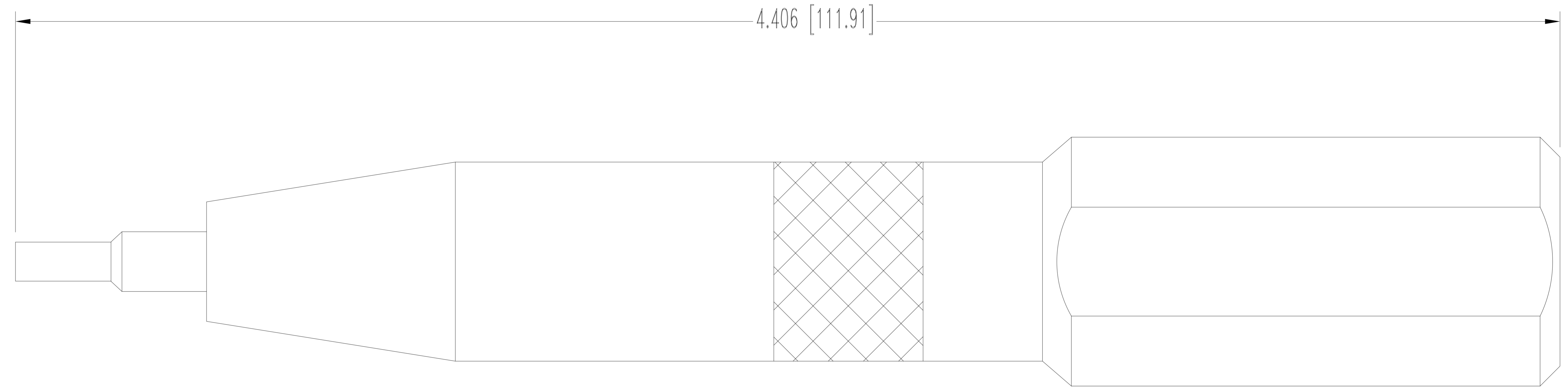
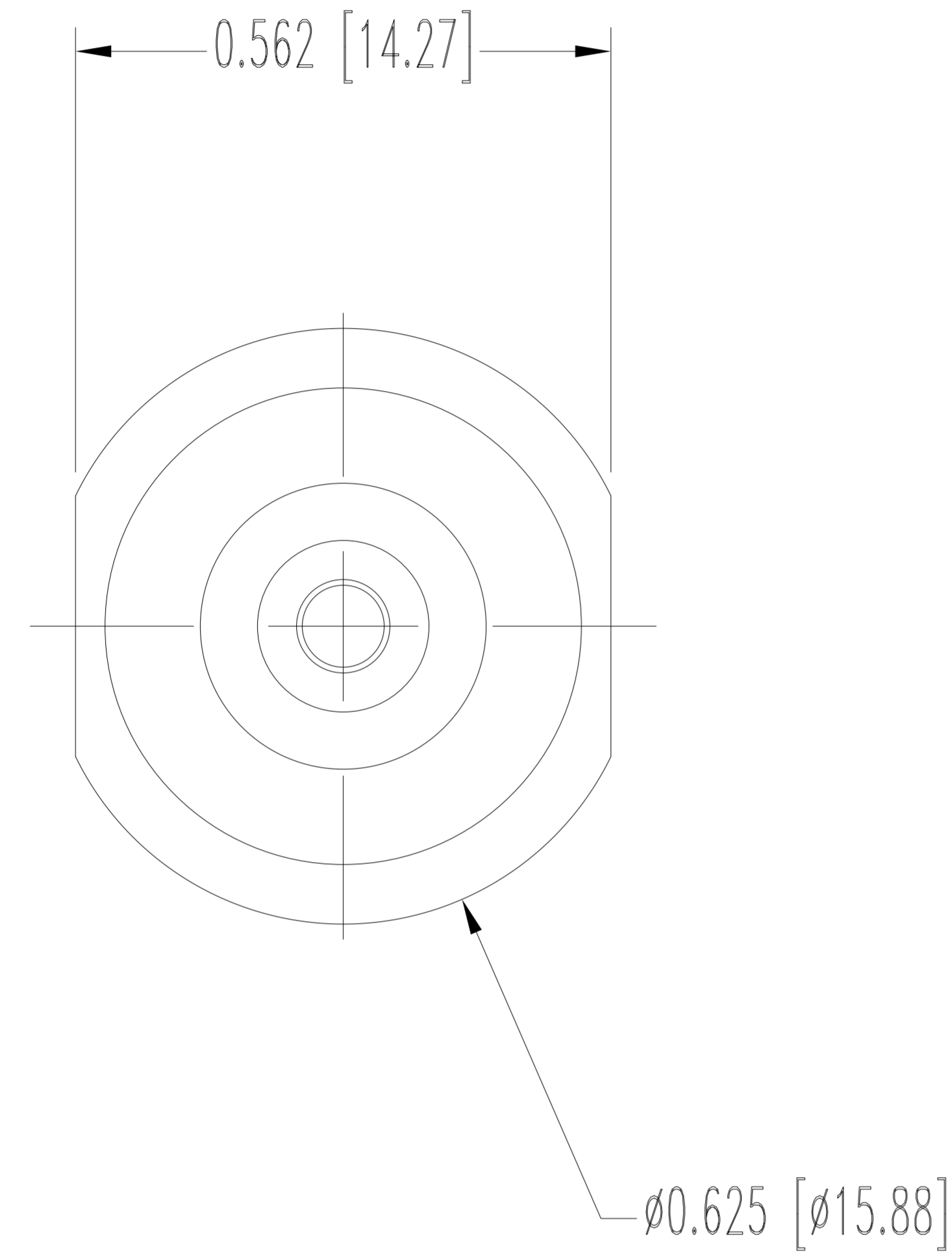
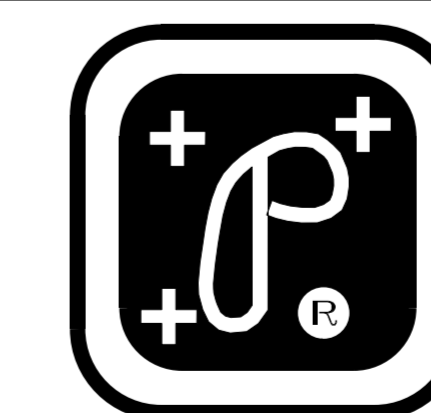


THIS DRAWING CONTAINS INFORMATION PROPRIETARY TO POSITRONIC IND. INC. ANY REPRODUCTION, DISCLOSURE OR USE OF THIS DRAWING IS EXPRESSLY PROHIBITED, EXCEPT AS POSITRONIC IND. INC. MAY OTHERWISE AGREE IN WRITING.

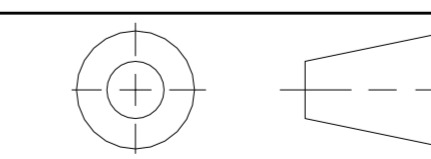
DATE	REV	REVISION RECORD	APP	DR	CK
05-08 19	B	ECO 66926	RK	GJ	AB



NOTES:
1. DIMENSIONS ARE IN INCHES [MILLIMETERS]



POSITRONIC INDUSTRIES INC.
SPRINGFIELD, MISSOURI 65806



DECIMAL TOL.
± 0.015 [0.38]

ANGULAR TOL.
± 3°

PCI

TITLE
9081-4-0-0

DATE
8-12-09

DRAWING NUMBER
SK10943

SCALE
N.T.S.

DRAWN BY
B SHELEDY
APPROVED BY
R WILLIAMS

REV.
B