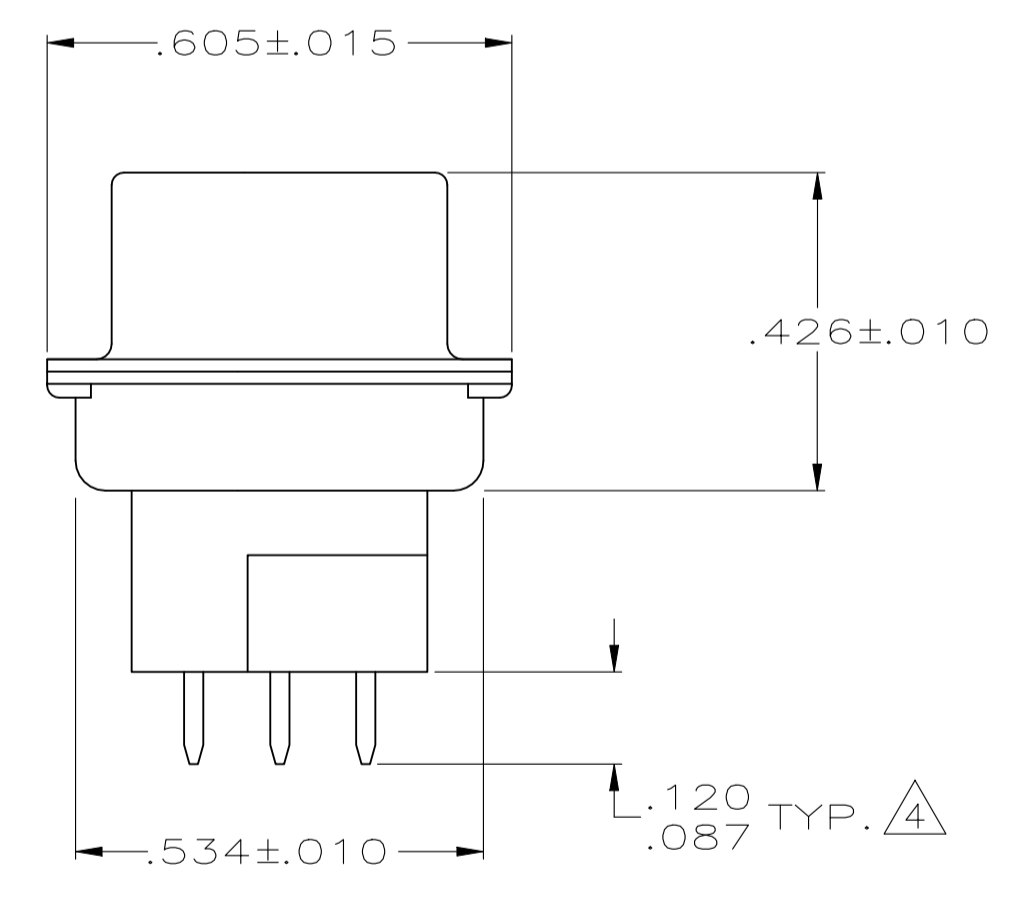
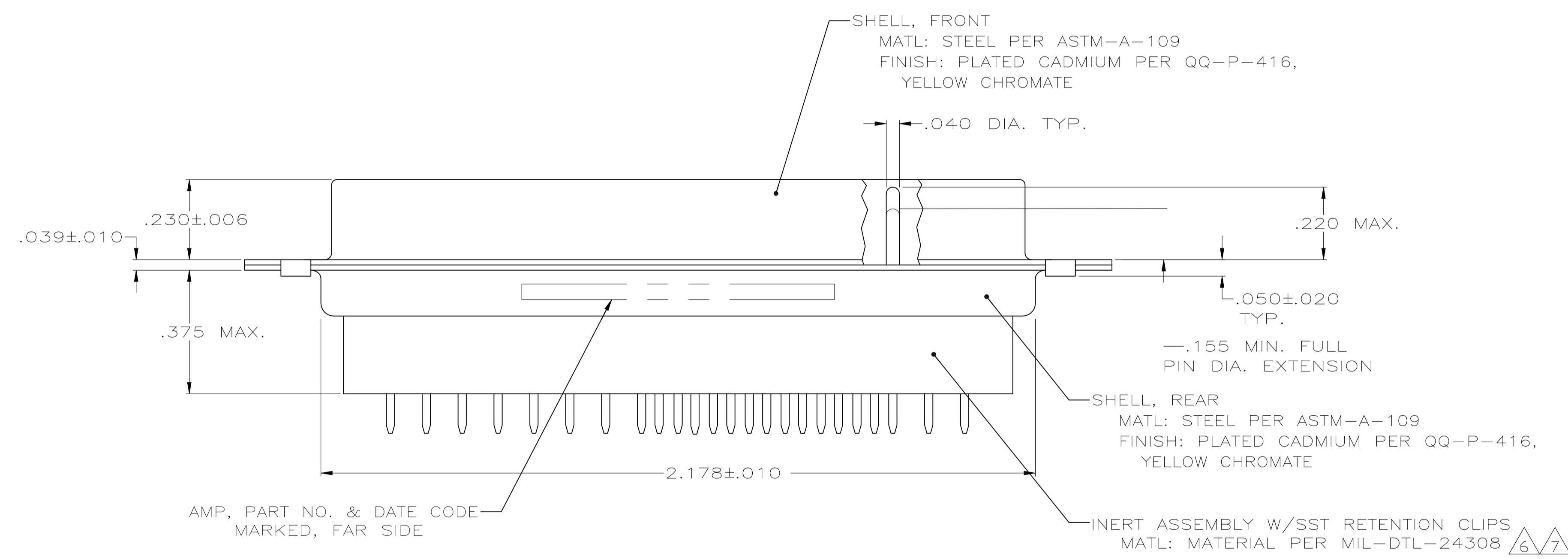
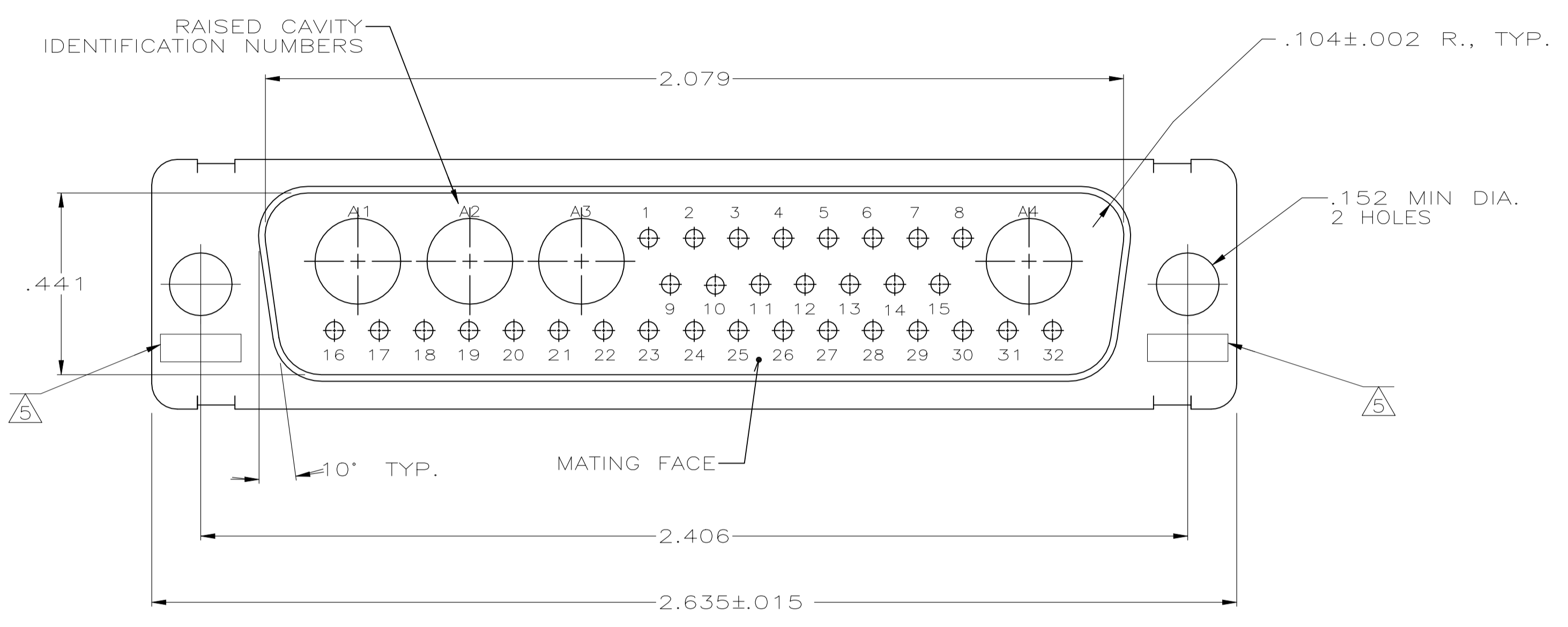


REVISIONS				
P	LTR	DESCRIPTION	DATE	BY
H		REV PER ECO-21-000831	23DEC2021	JAB RL

- THIS PLUG WILL MATE WITH ANY 36C4, SIZE 5 RECEPTACLE IN AMPLIMITE SERIES.
- MAXIMUM WIRE INSULATION TO BE USED WITH THIS PLUG IS .068 DIA FOR SIZE 20 CONTACTS.
- THIS CONNECTOR ACCEPTS SIZE 8 POWER OR COAX PIN CONTACTS (4); CONSULT PRODUCT ENGINEERING FOR ADDITIONAL DETAILS.
- WHEN FULLY SEATED REARWARD.
- UL/CSA DESIGNATION STAMPED IN THIS AREA.
- FINISH: CADMIUM PLATE PER QQ-P-416.
- FINISH: ZINC PLATED PER ASTM-B-633 .000200-.000400 THK WITH SUPPLEMENTARY CHROMATE (Cr3+).



JURISDICTION	EAR
CLASSIFICATION	EAR99
DATE OF MARKING	23DEC2021
THIS DOCUMENT CONTAINS CONTROLLED TECHNICAL DATA SUBJECT TO THE EXPORT ADMINISTRATION REGULATIONS (EAR). VIOLATIONS OF THESE EXPORT LAWS AND REGULATIONS ARE SUBJECT TO CIVIL AND CRIMINAL PENALTIES.	

THIS DRAWING IS A CONTROLLED DOCUMENT.		DIN 27-May-15 MANJUNATH G M		TE Connectivity	
DIMENSIONS: INCHES		CHK 27-May-15 CHARLES THOMAS		NAME	
TOLERANCES UNLESS OTHERWISE SPECIFIED:		APVD 27-May-15 CHARLES THOMAS		PLUG ASSEMBLY, AMPLIMITE, 36C4, SIZE 5, SERIES 109, COAX MIX, LOADED	
0. PLC ± -		PRODUCT SPEC		SIZE	
1. PLC ± -		APPLICATION SPEC		CAGE CODE	
2. PLC ± -		DRAWING NO		DRAWING NO	
3. PLC ± .005		RESTRICTED TO		RESTRICTED TO	
4. PLC ± -		WEIGHT		WEIGHT	
ANGLES ± -		0.000000		A1 00779 C=445030	
MATERIAL SEE CALLOUTS		FINISH SEE CALLOUTS		CUSTOMER DRAWING	
		SCALE 4:1		SHEET 1 of 1	
				REV H	

7	5-445030-1
6	445303-1
REMARKS	PART NO