

THIS DRAWING IS UNPUBLISHED. RELEASED FOR PUBLICATION
 © COPYRIGHT - TE Connectivity Ltd. ALL RIGHTS RESERVED.

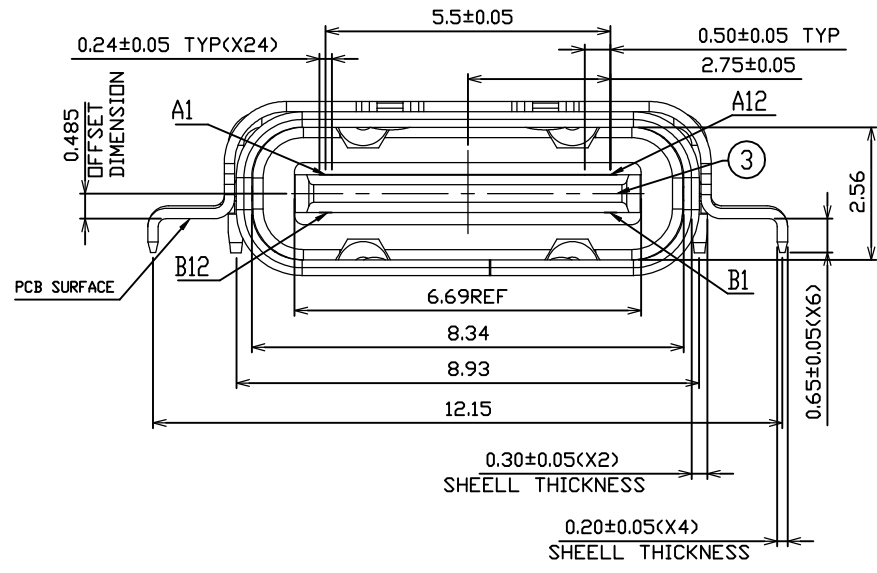
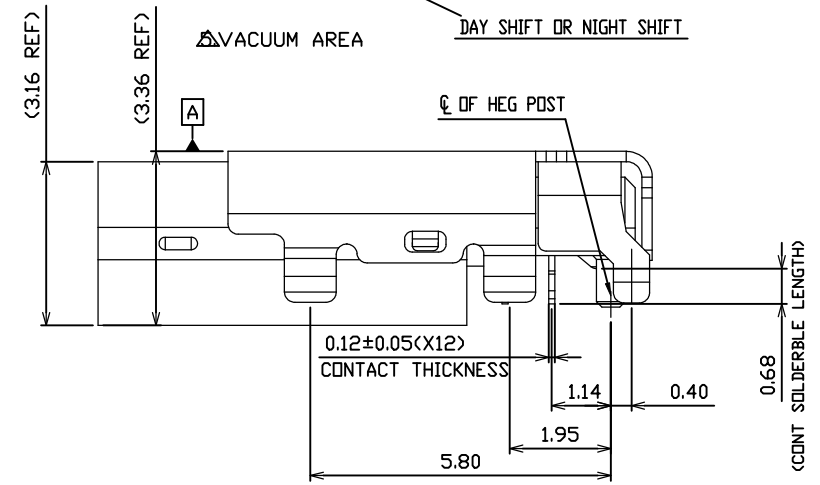
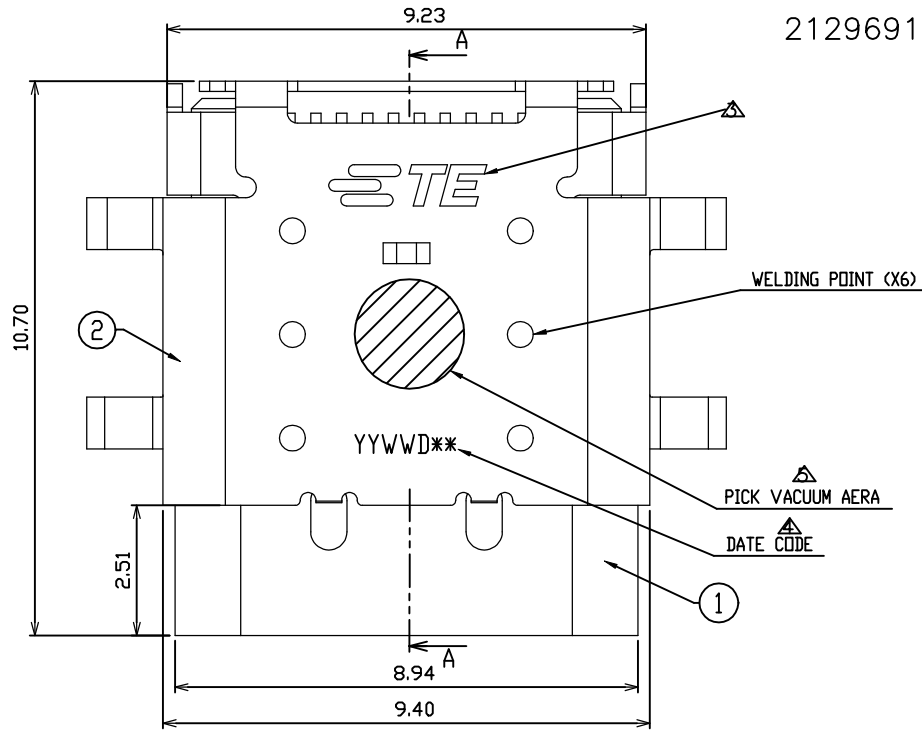
REVISIONS				
P	LTR	DESCRIPTION	DATE	DWN APVD
	B1	REVISED PER ECR-19-002924	14MAR2019	R.Z S.L

2129691-2 AS SHOWN

- NOTES:
 MATERIAL:
 ① SHELL: STAINLESS STEEL
 ② SHELL BRACKET: STAINLESS STEEL
 ③ HOUSING: HIGH TEMPERATURE THERMO PLASTIC ,BLACK, UL94V-0
 ④ UPPER CONTACT: COPPER ALLOY
 ⑤ LOWER CONTACT: COPPER ALLOY
 ⑥ MID-PLATE: STAINLESS STEEL

- FINISH:
 CONTACT: ALL OVER NI PLATING(2.0UM)
 CONTACT AREA AU PLATING(0.75UM)
 SOLDER AREA TIN PLATING(2.0UM)
 SHELL: ALL OVER NI PLATING(1.3UM),
 BRACKET: ALL OVER NI PLATING(1.3UM),
 MID-PLATE: ALL OVER NI PLATING(1.3UM).

- TE LOGO
 DATE CODE :YYWWD**
 VACUUM AREA



PIN NO.	A1	A2	A3	A4	A5	A6	A7	A8	A9	A10	A11	A12
SIGNAL NAME	GND	SSTxp1	SSTxm1	VBUS	CC1	Dp1	Dn1	SBU1	VBUS	SSRx2	SSRp2	GND
PIN NO.	B12	B11	B10	B9	B8	B7	B6	B5	B4	B3	B2	B1
SIGNAL NAME	GND	SSRx1	SSRx1	VBUS	SBU2	Dn2	Dp2	CC2	VBUS	SSTxm2	SSTxp2	GND

2129691-2
 PART NUMBER

THIS DRAWING IS A CONTROLLED DOCUMENT.

DWN T.ZHU 26APR2018
 CHK S.LI 26APR2018
 APVD S.LI 26APR2018

TE Connectivity

NAME: TYPE-C RECTANGULAR ASSEMBLY OFFSET 0.485MM HYBRID TYPE

PRODUCT SPEC: 108-99061
 APPLICATION SPEC: -

SIZE: A3 CAGE CODE: G=2129691 DRAWING NO: - RESTRICTED TO: -

MATERIAL: SEE NOTE FINISH: SEE NOTE WEIGHT: -

CUSTOMER DRAWING SCALE: - SHEET: 1 OF 4 REV: B1

THIS DRAWING IS UNPUBLISHED.

RELEASED FOR PUBLICATION

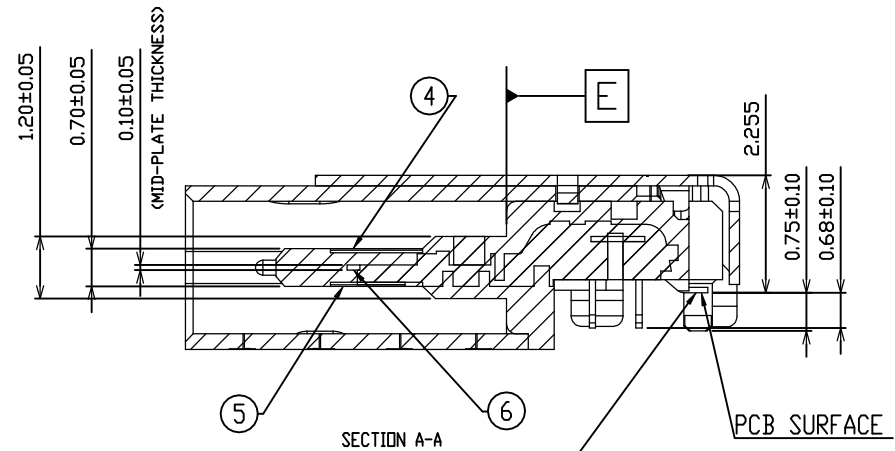
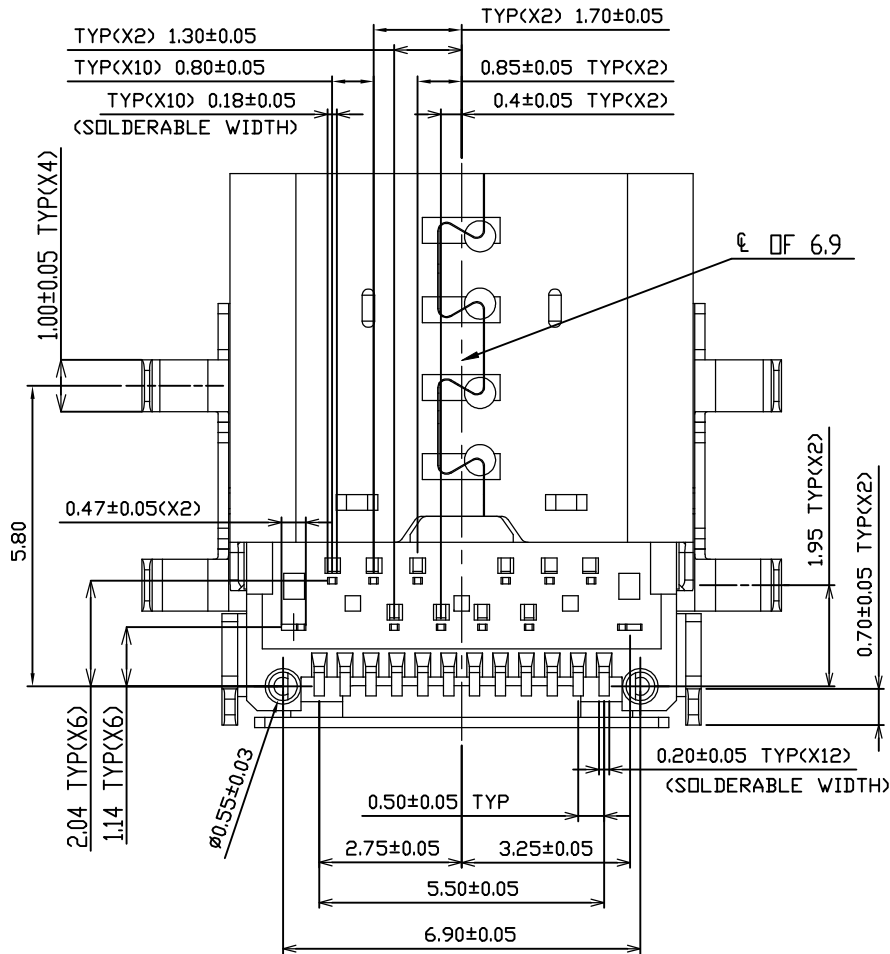
-. - .

© COPYRIGHT - TE Connectivity Ltd.

ALL RIGHTS RESERVED.

REVISIONS

P	LTR	DESCRIPTION	DATE	DWN	APVD
-	-	SEE SHEET 1	-	-	-



Coplanarity 0.08 Max(B.R)

Coplanarity 0.10 Max(A.R)

(GROUND PINS) SOLDERABLE WIDTH

2129691-2

PART NUMBER

THIS DRAWING IS A CONTROLLED DOCUMENT.

DWN T.ZHU 26APR2018

CHK S.LI 26APR2018

APVD S.LI 26APR2018

PRODUCT SPEC

108-99061

APPLICATION SPEC

WEIGHT -

CUSTOMER DRAWING

TE Connectivity

TYPE-C RECTACLAE ASSEMBLY
OFFSET 0.485MM HYBRID TYPE

NAME

SIZE

CAGE CODE

DRAWING NO

RESTRICTED TO

A3

SCALE

SHEET

REV

2129691

2 OF 4

B1

DIMENSIONS:

mm



TOLERANCES UNLESS OTHERWISE SPECIFIED:

0 PLC	± -
1 PLC	± 0.25
2 PLC	± 0.15
3 PLC	± 0.10
4 PLC	± -
ANGLES	± 3'

MATERIAL

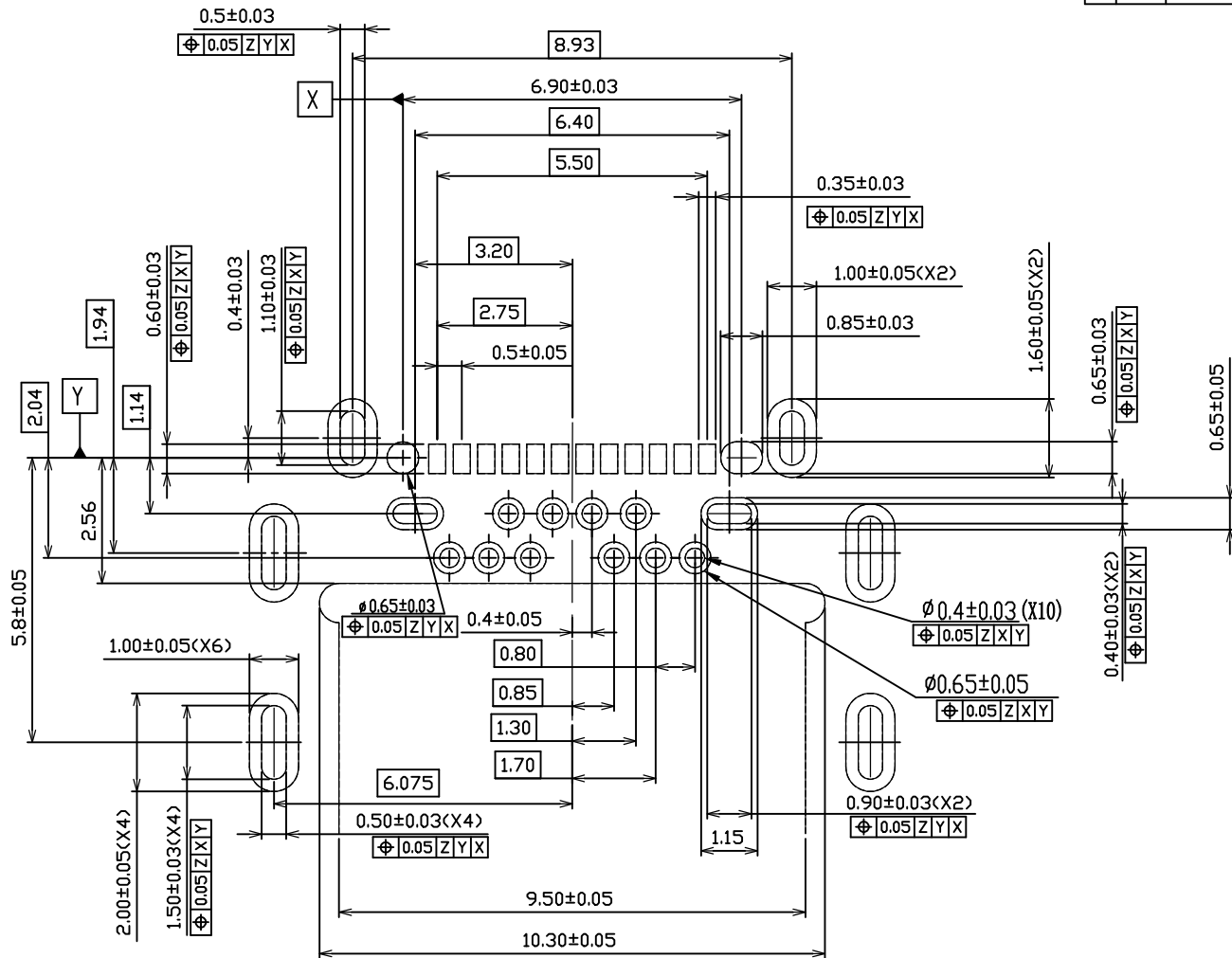
SEE NOTE

FINISH

SEE NOTE

THIS DRAWING IS UNPUBLISHED. RELEASED FOR PUBLICATION
COPYRIGHT - TE Connectivity Ltd. ALL RIGHTS RESERVED.

REVISIONS				
P	LTR	DESCRIPTION	DATE	APVD
-	-	SEE SHEET 1	-	-



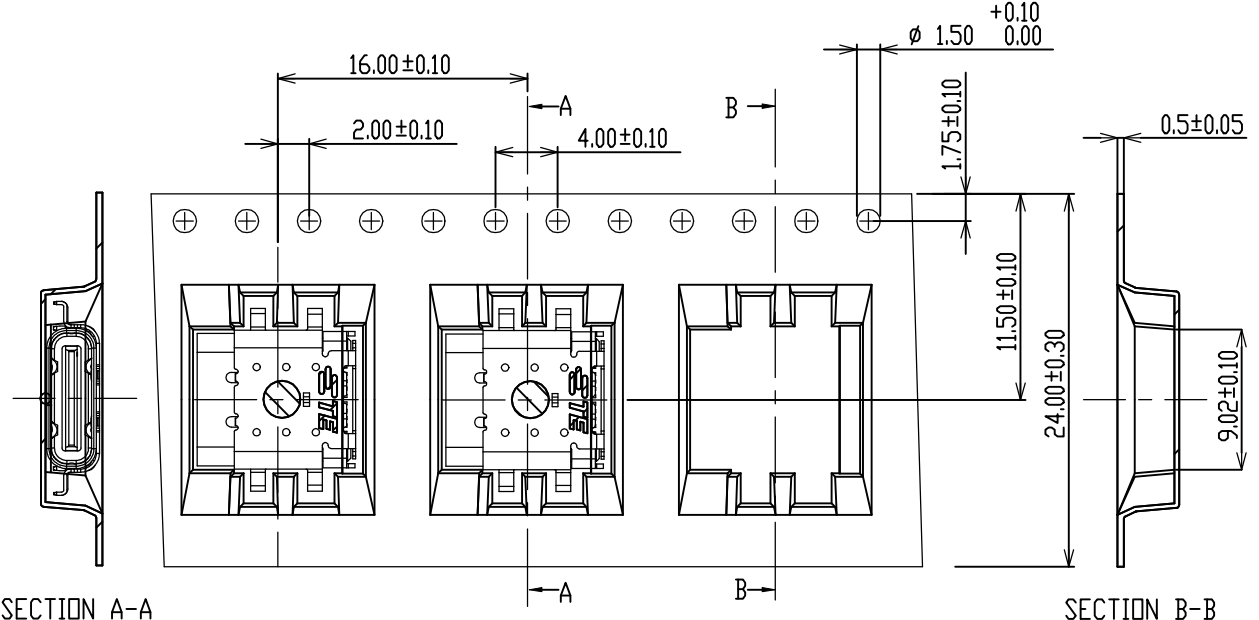
PCB SURFACE $\begin{matrix} Z \\ - \\ Z \end{matrix}$

2129691-2
PART NUMBER

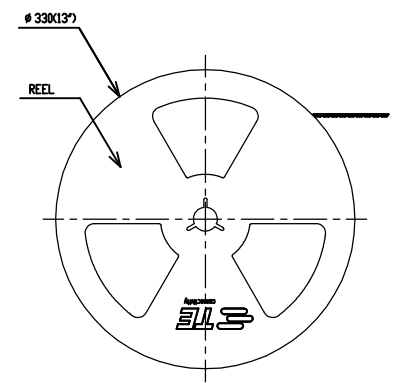
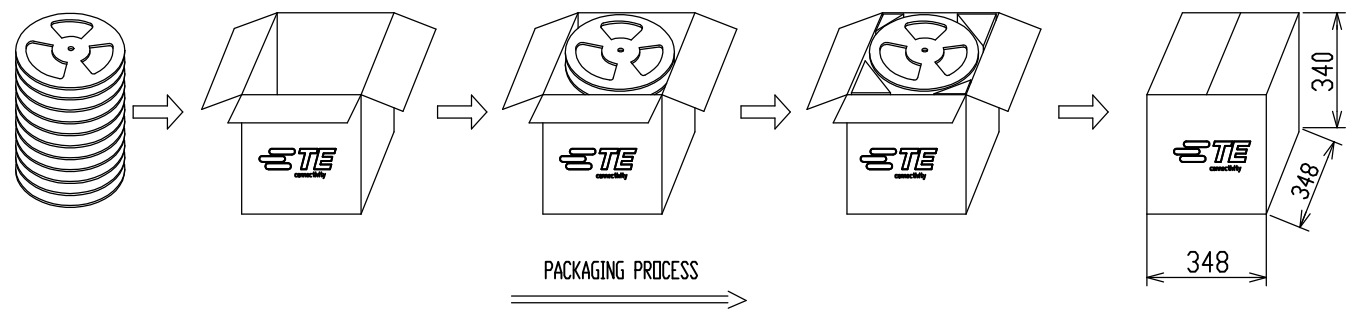
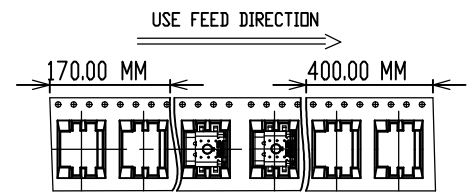
THIS DRAWING IS A CONTROLLED DOCUMENT.		DWN T.ZHU 26APR2018	TE TE Connectivity	
		CHK S.LI 26APR2018		
DIMENSIONS: mm	TOLERANCES UNLESS OTHERWISE SPECIFIED:	APVD Roger 26APR2018	NAME TYPE-C RECPTACLAE ASSEMBLY OFFSET 0.485MM HYBRID TYPE	
	0 PLC ± - 1 PLC ± 0.25 2 PLC ± 0.15 3 PLC ± 0.10 4 PLC ± - ANGLES ± 3'	PRODUCT SPEC 108-99061	RESTRICTED TO	
MATERIAL SEE NOTE	FINISH SEE NOTE	APPLICATION SPEC -	SIZE A3	CAGE CODE C=2129691
		WEIGHT -	DRAWING NO C=2129691	REV B1
CUSTOMER DRAWING			SCALE -	SHEET 3 of 4

THIS DRAWING IS UNPUBLISHED. RELEASED FOR PUBLICATION
 © COPYRIGHT - TE Connectivity Ltd. ALL RIGHTS RESERVED.

REVISIONS					
P	LTR	DESCRIPTION	DATE	DWN	APVD
-	-	SEE SHEET 1	-	-	-



- NOTES:
- 1.P/N:P-ZA-172309
 - 2.USED ON USB TYPE C RECEP.CONNECTOR PRODUCTS.
 - 3.PACKAGE:1000PCS/REEL,10REELS/BOX
 - 4.MATERIAL:TRANSPARENT CONDUCTIVE POLYSTYRENE ALLOY
 - 5.APPLICABLE DOCUMENTS:IEA-481-D
 - 6.AFTER UNREELING DIRECTION MUST HAVE 11PCS BLANK.(170mm Min)
 - 7.BEFORE UNREELING DIRECTION MUST HAVE 25PCS BLANK.(400mm Min)



2129691-2
PART NUMBER

THIS DRAWING IS A CONTROLLED DOCUMENT.		DWN T.ZHU 26APR2018	TE Connectivity TYPE-C RECPTACLAE ASSEMBLY OFFSET 0.485MM HYBRID TYPE		
DIMENSIONS: mm		CHK S.LI 26APR2018			
TOLERANCES UNLESS OTHERWISE SPECIFIED:		APVD S.LI 26APR2018	NAME 108-99061		
		PRODUCT SPEC	SIZE A3		
MATERIAL SEE NOTE		APPLICATION SPEC	CAGE CODE C=2129691		RESTRICTED TO -
FINISH SEE NOTE		WEIGHT -	DRAWING NO C=2129691		SCALE -
		CUSTOMER DRAWING		SHEET 4 OF 4	REV B1