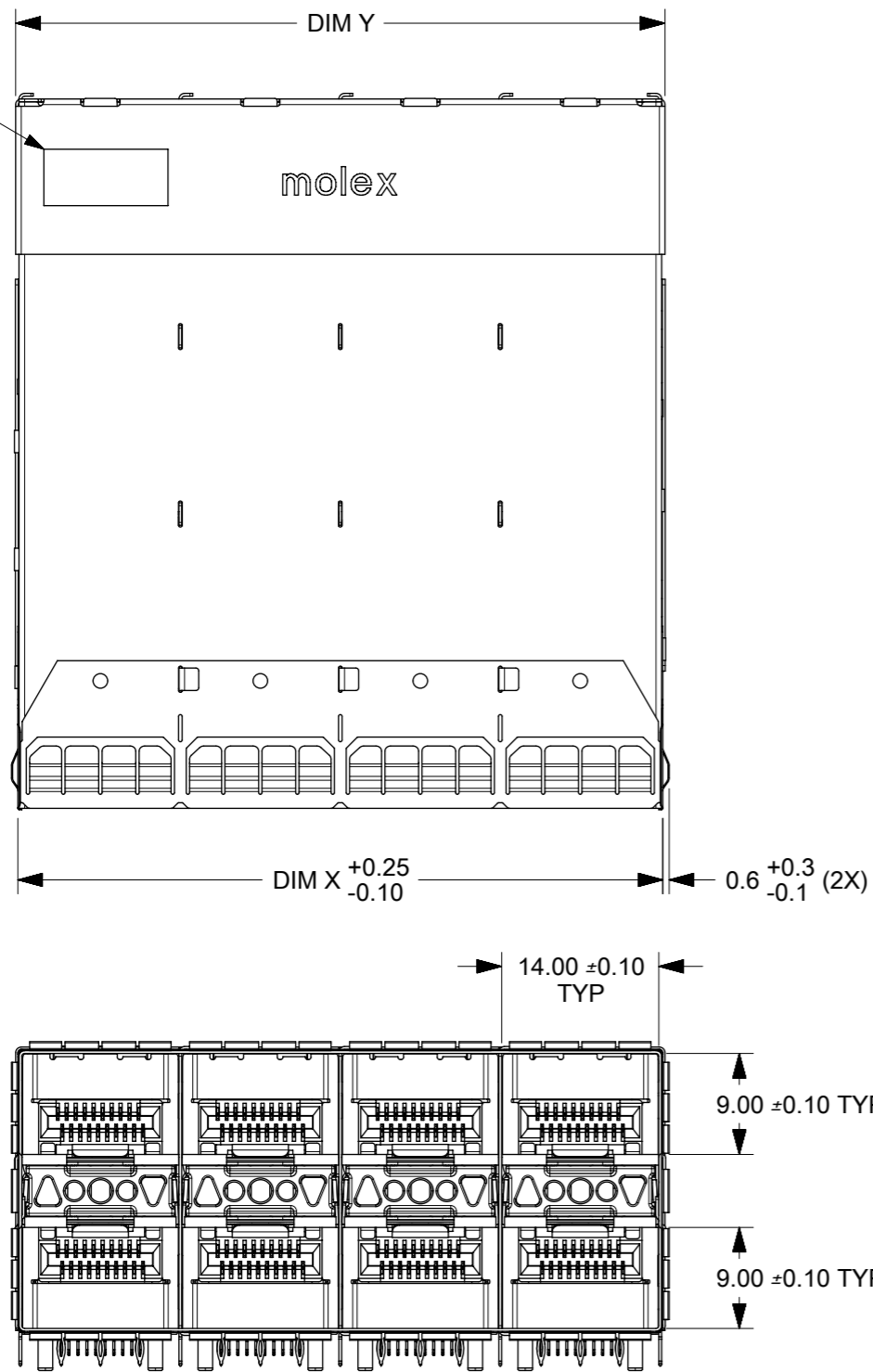
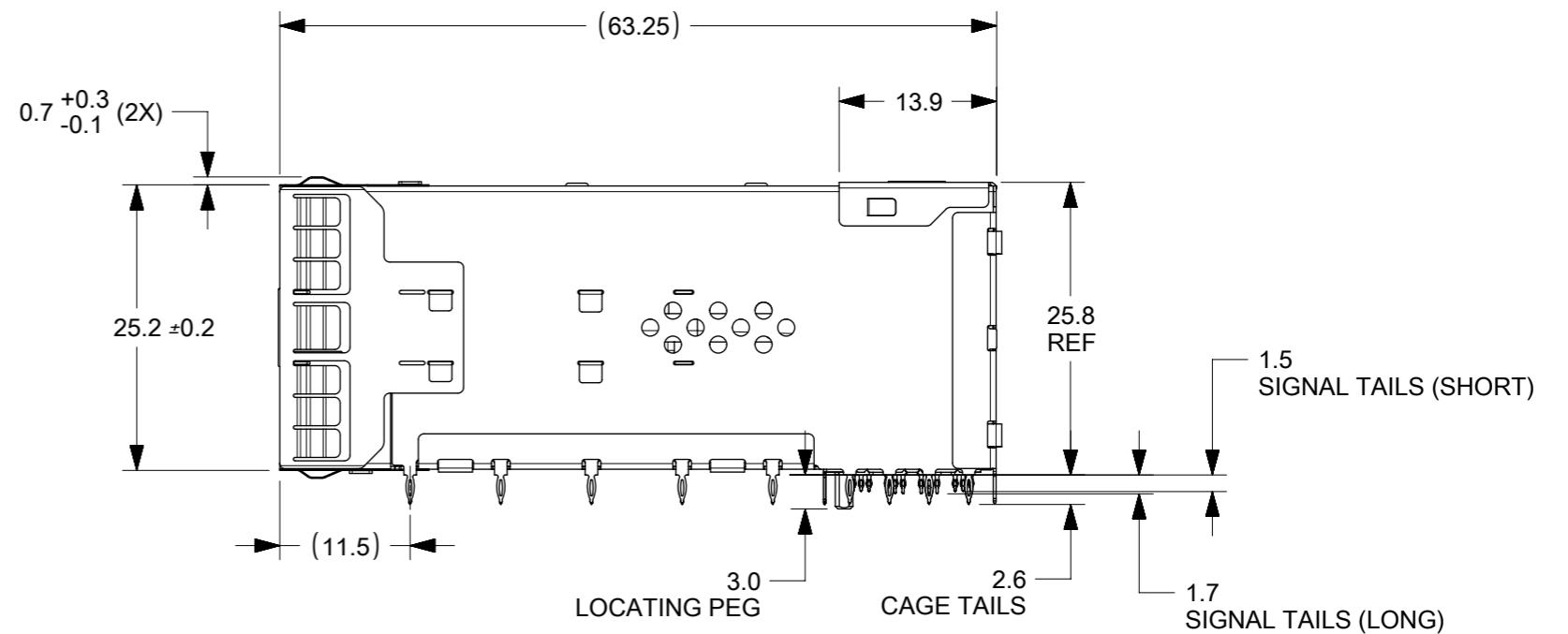


DATE CODE LOCATION, SEE NOTE 8



NOTES:

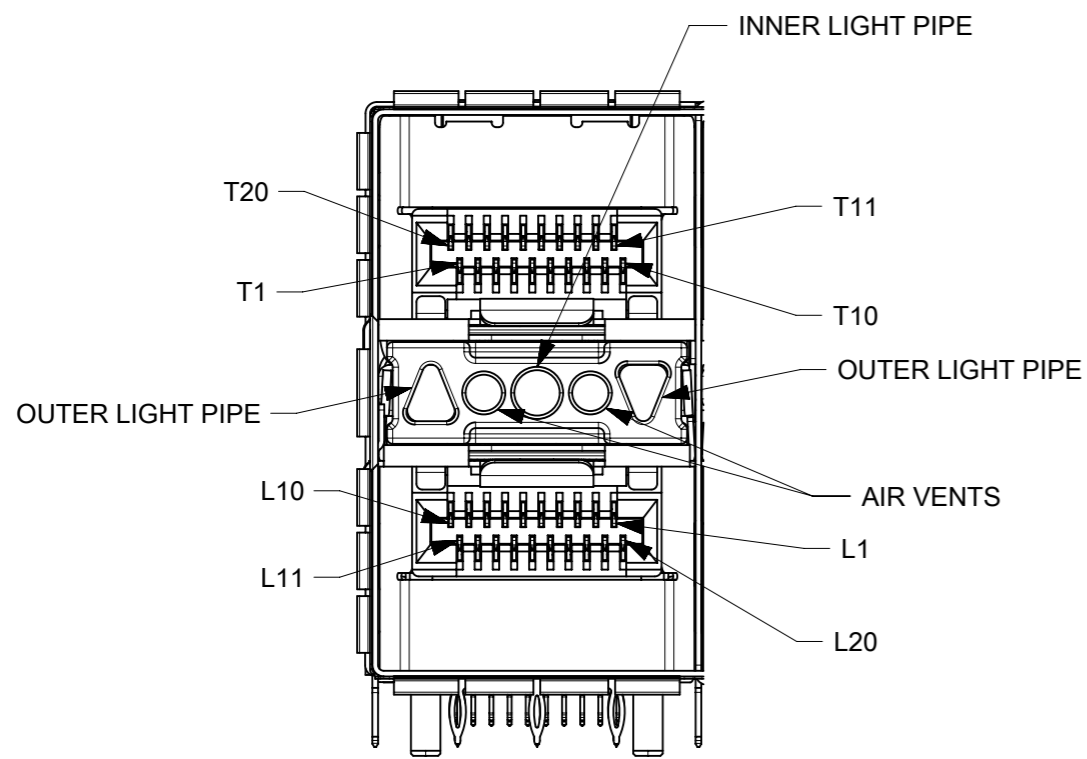
- MATERIAL:
 - CAGE: NICKEL SILVER
 - CONNECTOR HOUSING: GLASS FILLED THERMOPLASTIC, UL: 94V-0, COLOR: BLACK
 - LIGHT PIPES: POLYCARBONATE, 94 HB, COLOR: CLEAR
 - TERMINALS: HIGH PERFORMANCE COPPER ALLOY
 - FRONT SHIELD WALL: COPPER ALLOY
 - LIGHT PIPE HOUSING: ZINC ALLOY
- FINISH
 - TERMINALS: CONTACT AREA: 0.76 μm MIN. HARD GOLD OVER 3.8 μm MIN. NICKEL.
 - COMPLIANT TAIL: 0.7-1.5 μm MATTE TIN OVER 0.7-1.5 μm NICKEL
 - FRONT SHIELD WALL: 0.7-1.5 μm NICKEL OVERALL
 - LIGHT PIPE HOUSING: 2.0 μm NICKEL OVER 0.7 μm COPPER
- ALL SURFACES CLASS "C" PER MOLEX COSMETIC SPECIFICATION ES-171233-0001.
- 2X4 CONFIGURATION WITH 3 LIGHT PIPES SHOWN FOR REFERENCE, SEE CHART FOR AVAILABLE OPTIONS.
- REFER TO PS-170071-0001 FOR ALL ELECTRICAL, MECHANICAL AND ENVIRONMENTAL SPECIFICATIONS.
- REFER TO AS-170071-0001 FOR CONNECTOR MOUNTING AND REWORK INFORMATION.
- REFER TO AS-170071-0002 FOR PCB ROUTING RECOMMENDATIONS.
- DATE CODE FORMAT: YYDDDX
 - YY: LAST TWO DIGITS OF THE YEAR
 - DDD: DAY OF THE YEAR
 - X: MOLEX INTERNAL CONTROL



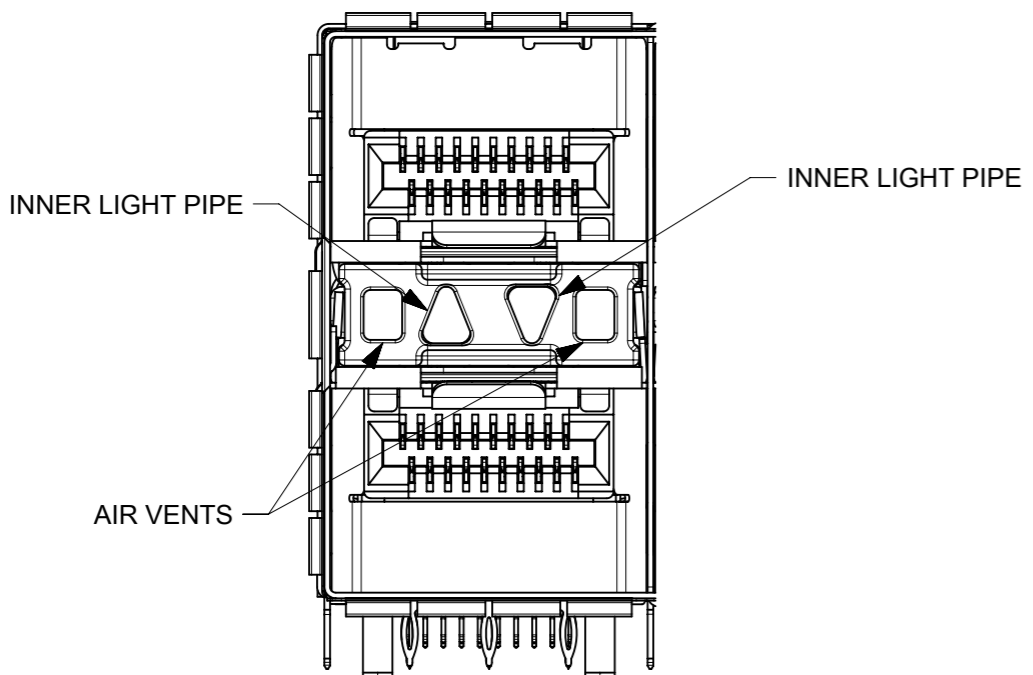
PORT SIZE	PART NUMBER	DIM X	DIM Y
2X4	171224-403*	57.50	57.85
2X6	171224-603*	86.00	86.35
2X8	171224-803*	114.50	114.85
2X12	171224-123*	171.50	171.85

*-DESIGNATES LIGHT PIPE CONFIGURATIONS, SEE SHEET 2

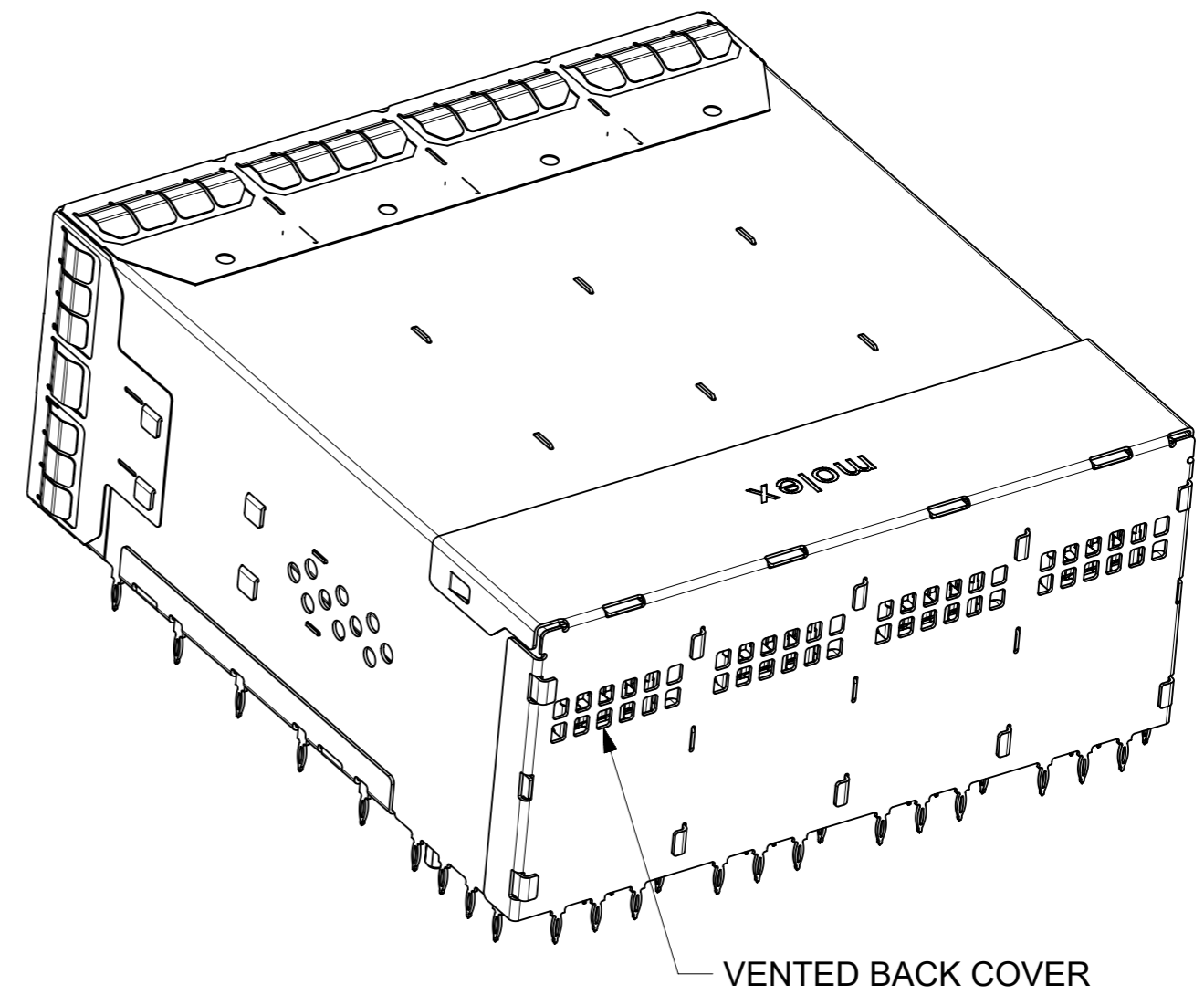
SYMBOLS	THIS DRAWING CONTAINS INFORMATION THAT IS PROPRIETARY TO MOLEX ELECTRONIC TECHNOLOGIES, LLC AND SHOULD NOT BE USED WITHOUT WRITTEN PERMISSION			
	DIMENSION UNITS	SCALE		
$\nabla = 0$	mm	1.6:1	EC NO: 616026	ZSFP+ STACKED CONNECTOR VENTED W/ LIGHT PIPES PRODUCT CUSTOMER DRAWING
$\nabla = 0$	GENERAL TOLERANCES (UNLESS SPECIFIED)		DRWN: CWANG67 2019/04/23	
$\nabla = 0$	ANGULAR TOL $\pm 0.5^\circ$		CHK'D: RNELSON 2019/09/04	
$\nabla = 0$	4 PLACES \pm		APPR: RNELSON 2019/09/04	DOCUMENT NUMBER: SD-171224-4300
$\nabla = 0$	3 PLACES \pm		INITIAL REVISION:	
$\nabla = 0$	2 PLACES ± 0.13		DRWN: JKACHLIC 2014/03/18	DOC TYPE: PSD
$\nabla = 0$	1 PLACE ± 0.25		APPR: MBANAKIS 2014/03/21	DOC PART: 001
$\nabla = 0$	0 PLACES \pm		DRAFT WHERE APPLICABLE MUST REMAIN WITHIN DIMENSIONS	REVISION: D1
$\square = 0$	THIRD ANGLE PROJECTION		DRAWING: A3-SIZE	SHEET NUMBER: 1 OF 5
$\nabla = 0$	SERIES: 171224		MATERIAL NUMBER: SEE TABLE	CUSTOMER: GENERAL MARKET



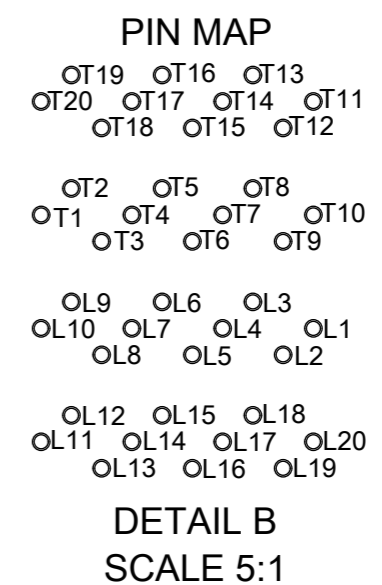
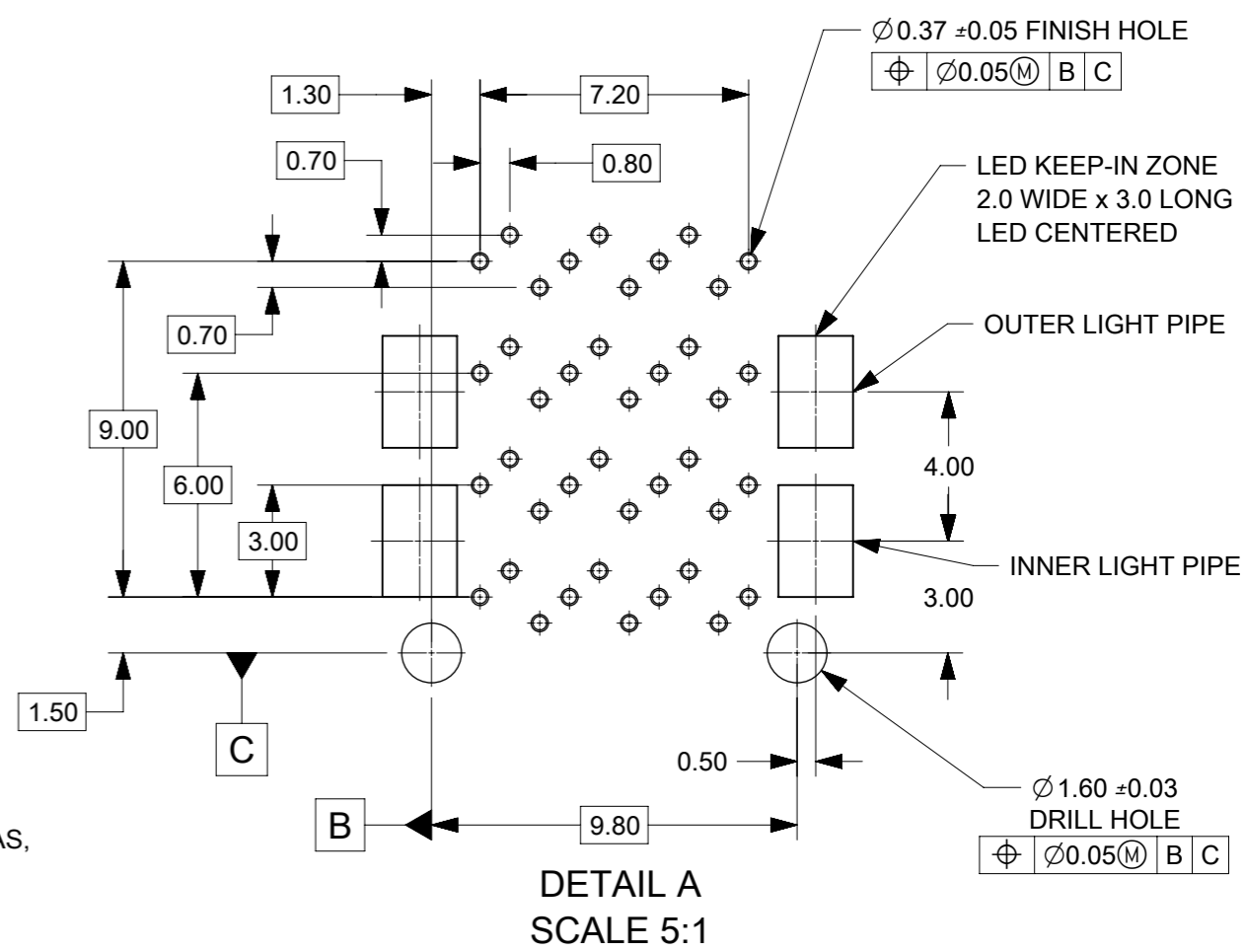
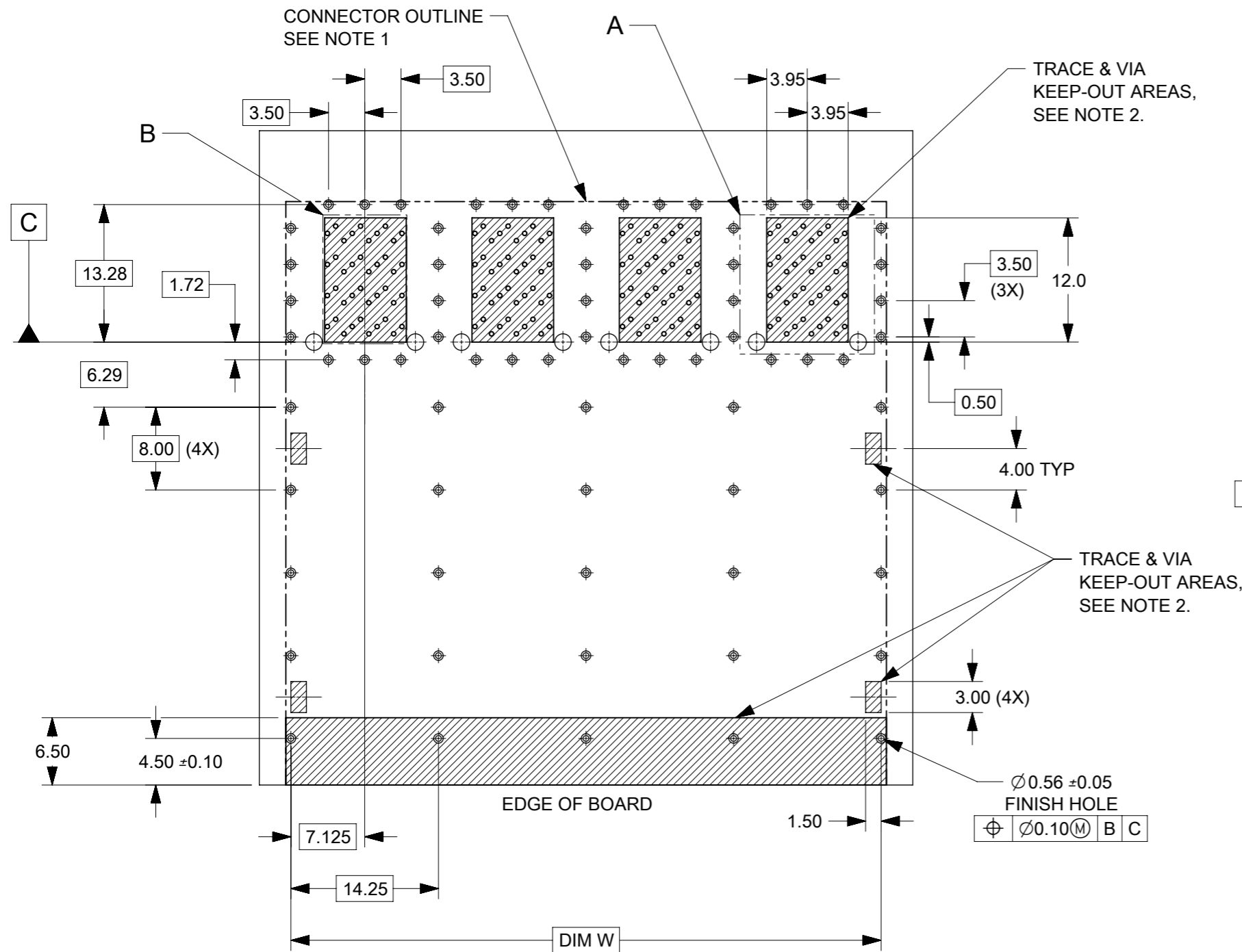
3 LIGHT PIPE OPTION
P/N 171224-**30



INNER LIGHT PIPE OPTION
P/N 171224-**31



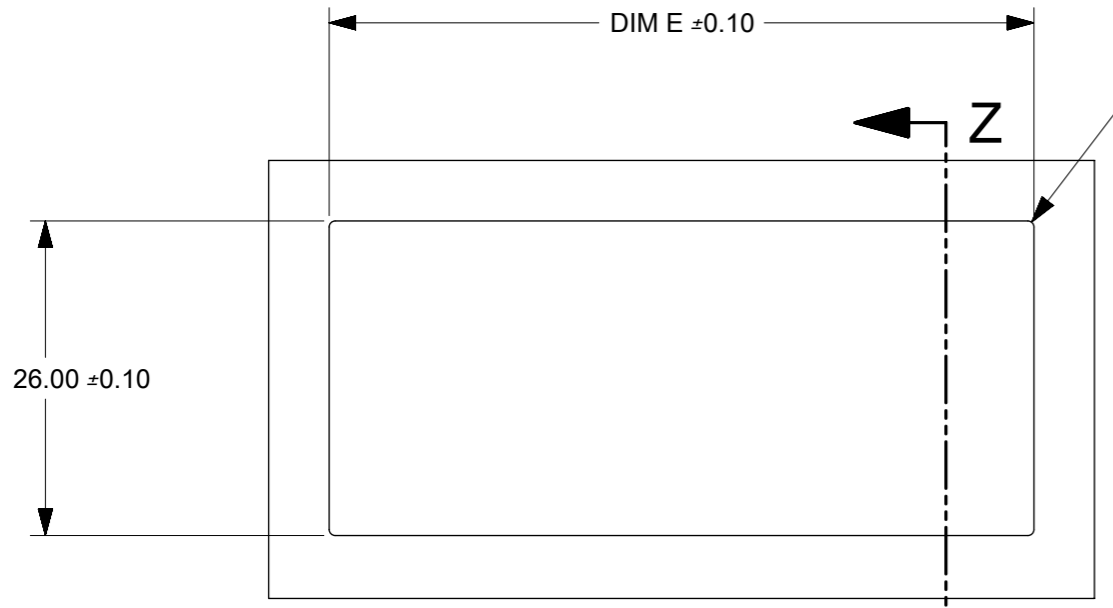
THIS DRAWING CONTAINS INFORMATION THAT IS PROPRIETARY TO MOLEX ELECTRONIC TECHNOLOGIES, LLC AND SHOULD NOT BE USED WITHOUT WRITTEN PERMISSION												
SYMBOLS		DIMENSION UNITS		SCALE		CURRENT REV DESC: SEE REVISION HISTORY						
▽ = 0		mm		2:1		GENERAL TOLERANCES (UNLESS SPECIFIED)						
▽ = 0		ANGULAR TOL		± 0.5°		EC NO: 616026			ZSFP+ STACKED CONNECTOR VENTED W/ LIGHT PIPES			
▽ = 0		4 PLACES		±		DRWN: CWANG67 2019/04/23			PRODUCT CUSTOMER DRAWING			
▽ = 0		3 PLACES		±		CHK'D: RNELSON 2019/09/04			DOCUMENT NUMBER			
▽ = 0		2 PLACES		± 0.13		APPR: RNELSON 2019/09/04			DOC TYPE		DOC PART	REVISION
▽ = 0		1 PLACE		± 0.25		INITIAL REVISION:			SD-171224-4300			
▽ = 0		0 PLACES		±		DRWN: JKACHLIC 2014/03/18			PSD	001	D1	
▽ = 0		DRAFT WHERE APPLICABLE MUST REMAIN WITHIN DIMENSIONS		THIRD ANGLE PROJECTION		DRAWING	SERIES	MATERIAL NUMBER	CUSTOMER		SHEET NUMBER	
▽ = 0						A3-SIZE	171224	SEE TABLE	GENERAL MARKET		2 OF 5	



PORT SIZE	DIM "W"	HOLE CHART		
		CONNECTOR (Ø0.37)	SHIELD (Ø0.56)	LOCATION (Ø1.60)
2X4	57.00	160	69	8
2X6	85.50	240	99	12
2X8	114.00	320	129	16
2X12	171.00	480	189	24

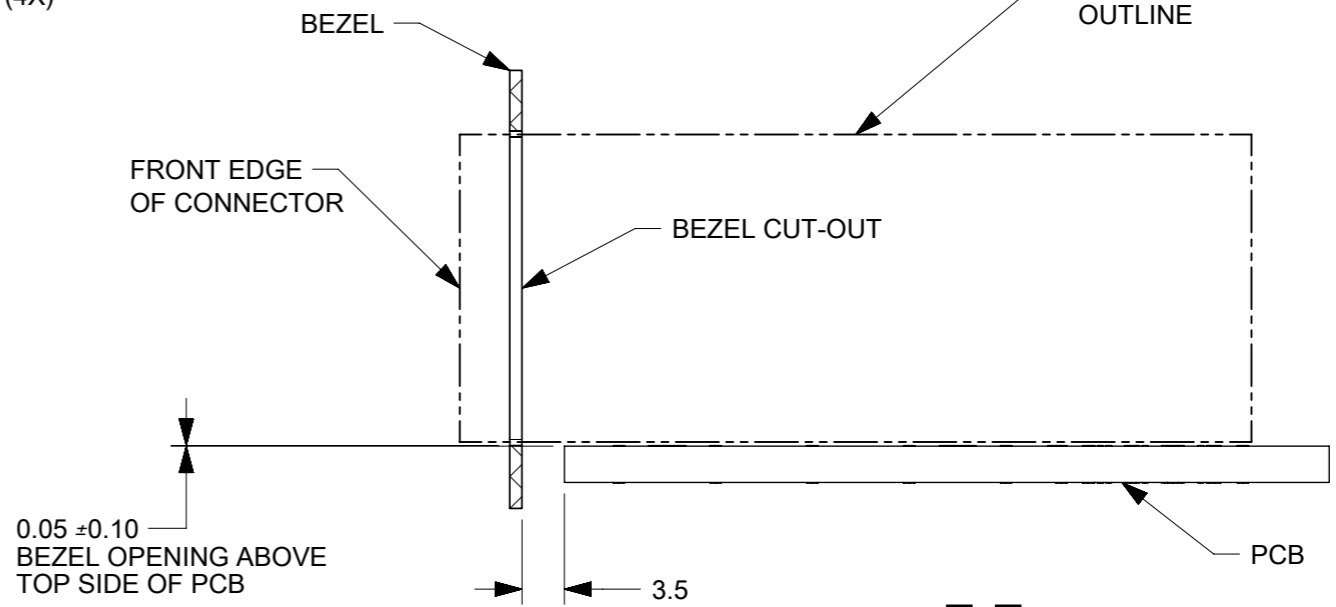
- NOTES:
- THE ENTIRE AREA UNDER THE CONNECTOR IS A KEEP OUT ZONE FOR COMPONENTS AND TRACES, TOP LAYER ONLY, EXCEPT FOR CHASSIS GROUND.
 - CROSS-HATCHED AREAS INDICATE PLACES WHERE THE PLASTIC HOUSING AND METAL CAGE MAY CONTACT PCB SURFACE. THESE AREAS ARE KEEP OUT ZONES. CROSS-HATCHED AREA UNDER THE CONNECTOR ARE TRACE AND VIA KEEP OUT AREAS FOR THE TOP LAYER.

SYMBOLS	THIS DRAWING CONTAINS INFORMATION THAT IS PROPRIETARY TO MOLEX ELECTRONIC TECHNOLOGIES, LLC AND SHOULD NOT BE USED WITHOUT WRITTEN PERMISSION		molex	
	DIMENSION UNITS	SCALE		
	mm	2:1	PRODUCT CUSTOMER DRAWING	
	GENERAL TOLERANCES (UNLESS SPECIFIED)		DOCUMENT NUMBER	
ANGULAR TOL ± 0.5°		SD-171224-4300		
4 PLACES ±		DOC TYPE		
3 PLACES ±		PSD		
2 PLACES ± 0.13		DOC PART		
1 PLACE ± 0.25		001		
0 PLACES ±		REVISION		
DRAFT WHERE APPLICABLE MUST REMAIN WITHIN DIMENSIONS		D1		
THIRD ANGLE PROJECTION		SHEET NUMBER		
DRAWING		3 OF 5		
SERIES		GENERAL MARKET		
MATERIAL NUMBER		SEE TABLE		
CUSTOMER		GENERAL MARKET		
A3-SIZE		3 OF 5		
171224				

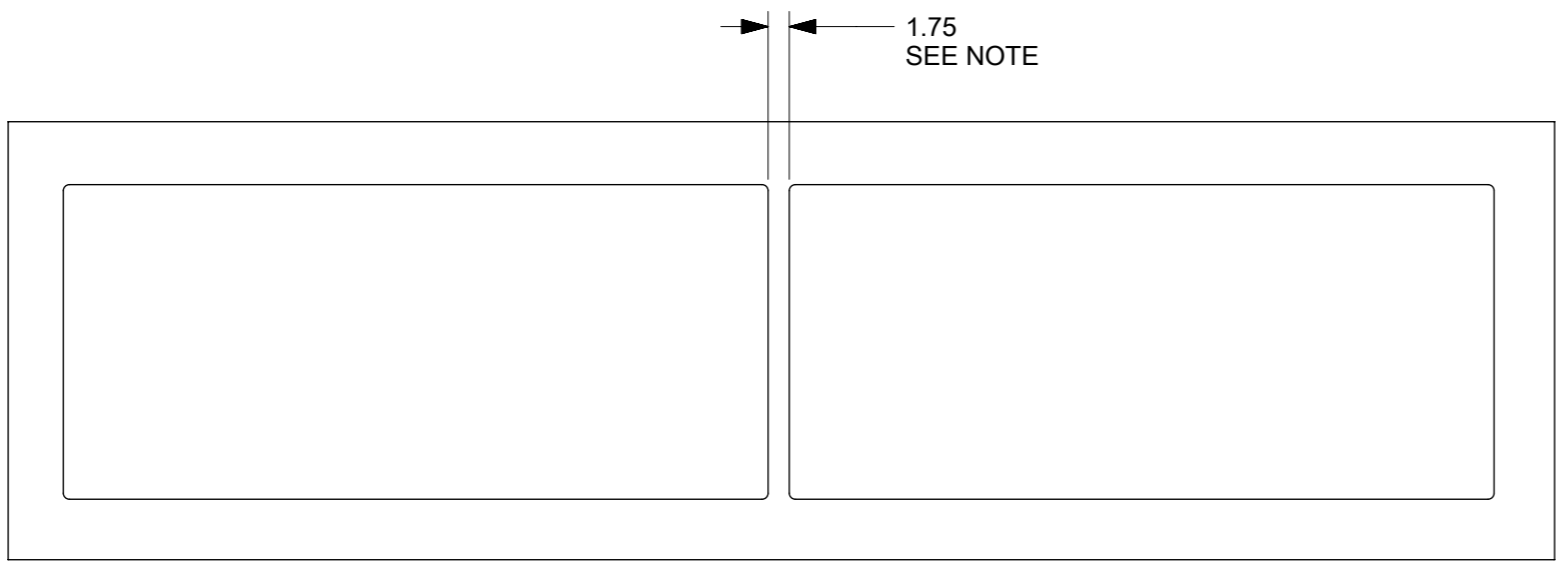


BEZEL CUT-OUT DETAIL
BEZEL THICKNESS 0.8-2.6

R0.50 ±0.10 (4X)



SECTION Z-Z



BEZEL CUT-OUT FOR
CONNECTOR STACKING

1.75
SEE NOTE

PORT SIZE	DIM "E"
2X4	58.25
2X6	86.75
2X8	115.25
2X12	172.25

NOTE:
FOR SIDE BY SIDE STACKING OF CONNECTORS. A BASIC DIMENSION OF 3.0mm BETWEEN CONNECTOR MOUNTING PATTERNS IS THE RECOMMENDED MINIMUM SPACING.

SYMBOLS ▽ = 0 ▽ = 0 ▽ = 0 ▽ = 0 ▽ = 0 ▽ = 0 ▽ = 0 ▽ = 0 ▽ = 0 ▽ = 0	THIS DRAWING CONTAINS INFORMATION THAT IS PROPRIETARY TO MOLEX ELECTRONIC TECHNOLOGIES, LLC AND SHOULD NOT BE USED WITHOUT WRITTEN PERMISSION DIMENSION UNITS: mm SCALE: 1.6:1	CURRENT REV DESC: SEE REVISION HISTORY EC NO: 616026 DRWN: CWANG67 2019/04/23 CHK'D: RNELSON 2019/09/04 APPR: RNELSON 2019/09/04			
	GENERAL TOLERANCES (UNLESS SPECIFIED) ANGULAR TOL ± 0.5°	INITIAL REVISION: DRWN: JKACHLIC 2014/03/18 APPR: MBANAKIS 2014/03/21	ZSFP+ STACKED CONNECTOR VENTED W/ LIGHT PIPES		
	4 PLACES ± 3 PLACES ± 2 PLACES ± 0.13 1 PLACE ± 0.25 0 PLACES ±	PRODUCT CUSTOMER DRAWING DOCUMENT NUMBER: SD-171224-4300 DOC TYPE: PSD DOC PART: 001 REVISION: D1	PRODUCT CUSTOMER DRAWING		
	DRAFT WHERE APPLICABLE MUST REMAIN WITHIN DIMENSIONS THIRD ANGLE PROJECTION DRAWING: A3-SIZE SERIES: 171224 MATERIAL NUMBER: SEE TABLE CUSTOMER: GENERAL MARKET SHEET NUMBER: 4 OF 5				

10

9

8

7

6

5

4

3

2

1

F

F

REVISION HISTORY		
DATE	REV	DESCRIPTION
2019/08/23	D1	1.ADDED REVISION HISTORY. 2.UPDATE NOTE FOR KEEP-OUT ZONE IN SHEET3. 3.ADDED DIMENSION OF SHORT SIGNAL PIN IN SHEET1.

E

E

D

D

C

C

B

B

A

A

SYMBOLS	THIS DRAWING CONTAINS INFORMATION THAT IS PROPRIETARY TO MOLEX ELECTRONIC TECHNOLOGIES, LLC AND SHOULD NOT BE USED WITHOUT WRITTEN PERMISSION												
	▽ = 0	DIMENSION UNITS	SCALE	CURRENT REV DESC: SEE REVISION HISTORY							molex		
	▽ = 0	mm	1:1	GENERAL TOLERANCES (UNLESS SPECIFIED)									
	▽ = 0	ANGULAR TOL ± 0.5°			EC NO: 616026							ZSFP+ STACKED CONNECTOR VENTED W/ LIGHT PIPES	
	▽ = 0	4 PLACES ±	DRWN: CWANG67 2019/04/23							PRODUCT CUSTOMER DRAWING			
	▽ = 0	3 PLACES ±	CHK'D: RNELSON 2019/09/04							DOCUMENT NUMBER			
	▽ = 0	2 PLACES ± 0.13	APPR: RNELSON 2019/09/04							SD-171224-4300			
	▽ = 0	1 PLACE ± 0.25	INITIAL REVISION:							DOC TYPE			
	▽ = 0	0 PLACES ±	DRWN: JKACHLIC 2014/03/18							PSD			
	▽ = 0	DRAFT WHERE APPLICABLE MUST REMAIN WITHIN DIMENSIONS		THIRD ANGLE PROJECTION		DRAWING	SERIES	MATERIAL NUMBER	CUSTOMER	DOC PART	REVISION		
▽ = 0					A3-SIZE	171224		GENERAL MARKET	001	D1			
										SHEET NUMBER			
										5 OF 5			

DOCUMENT STATUS	P1	RELEASE DATE	2019/09/04	07:26:35
-----------------	----	--------------	------------	----------

9

8

7

6

5

4

3

2

1

10

FORMAT: mxd
REVISION: 11
DATE: 2018/01/11