

MATERIAL NUMBER	# OF COLUMNS	# OF DIFF PAIR	DIM "A" MAX	DIM "B"	PTH $\phi$
170510-18**	8	24	15.20	13.30	0.46±0.05
170510-11**	10	30	19.00	17.10	
170510-18**	8	24	15.20	13.30	0.39±0.05
170510-11**	10	30	19.00	17.10	

**170510-1\*\*\***

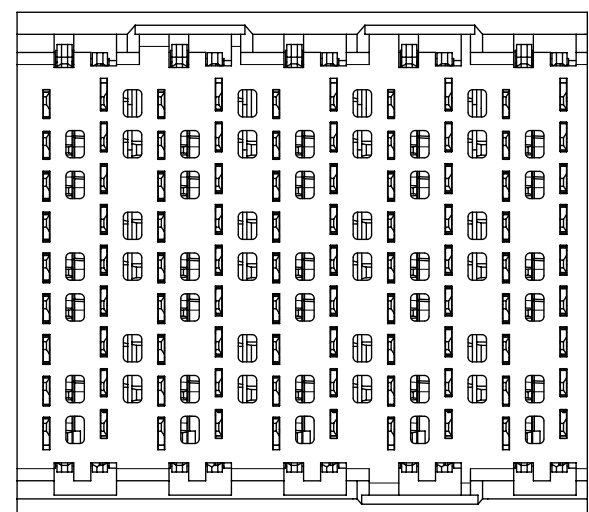
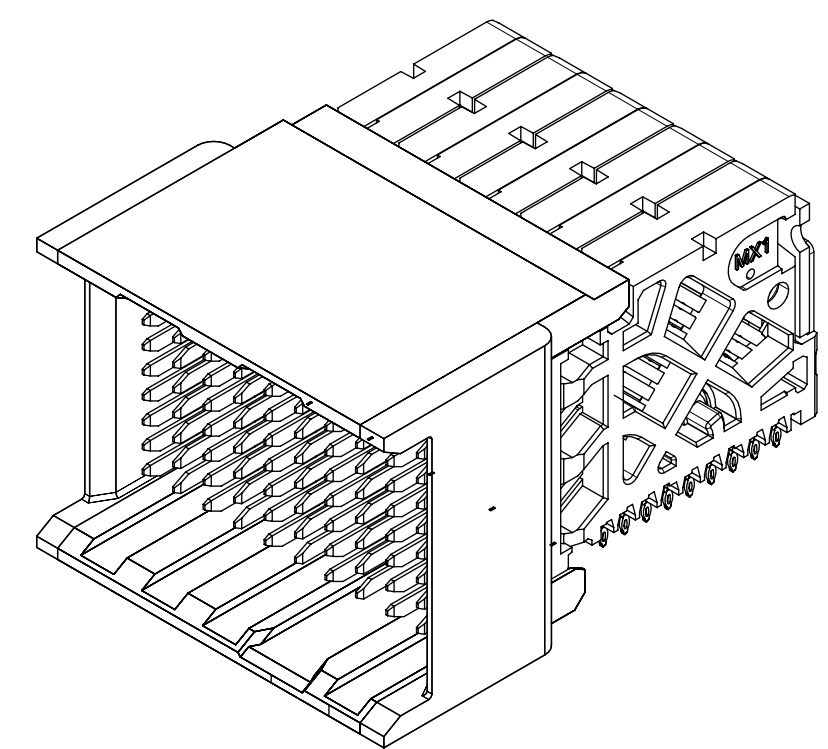
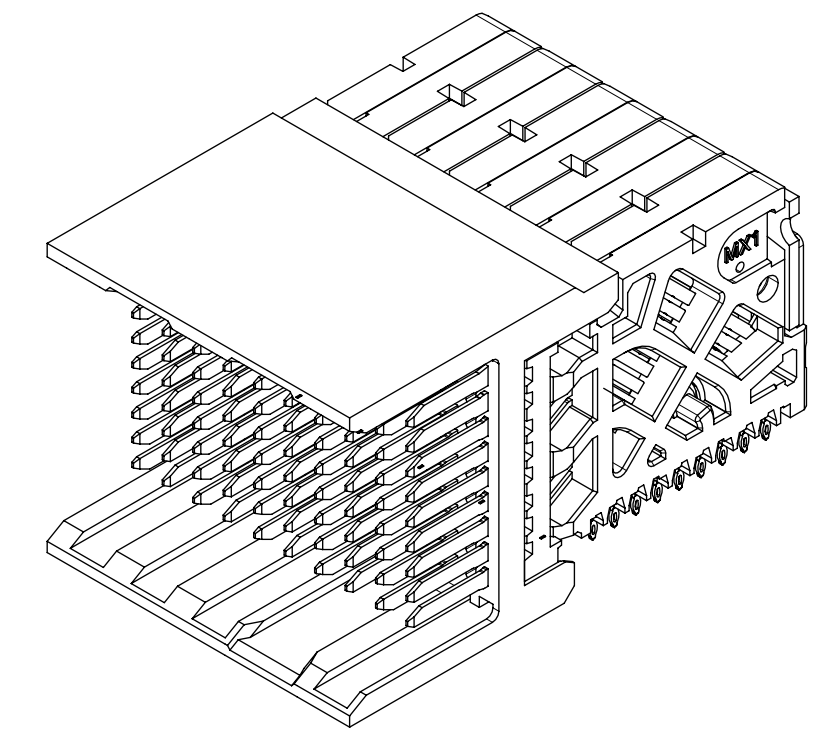
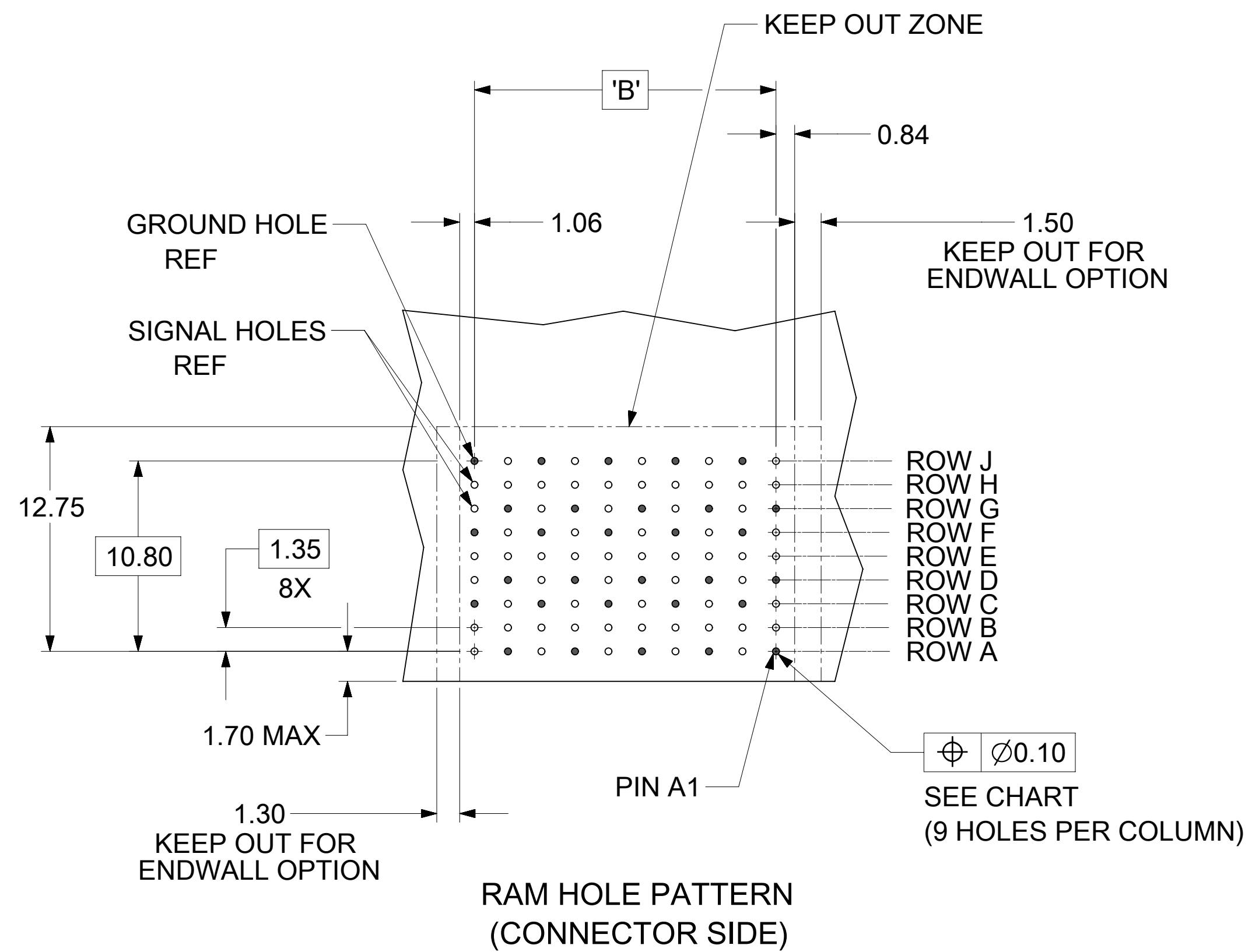
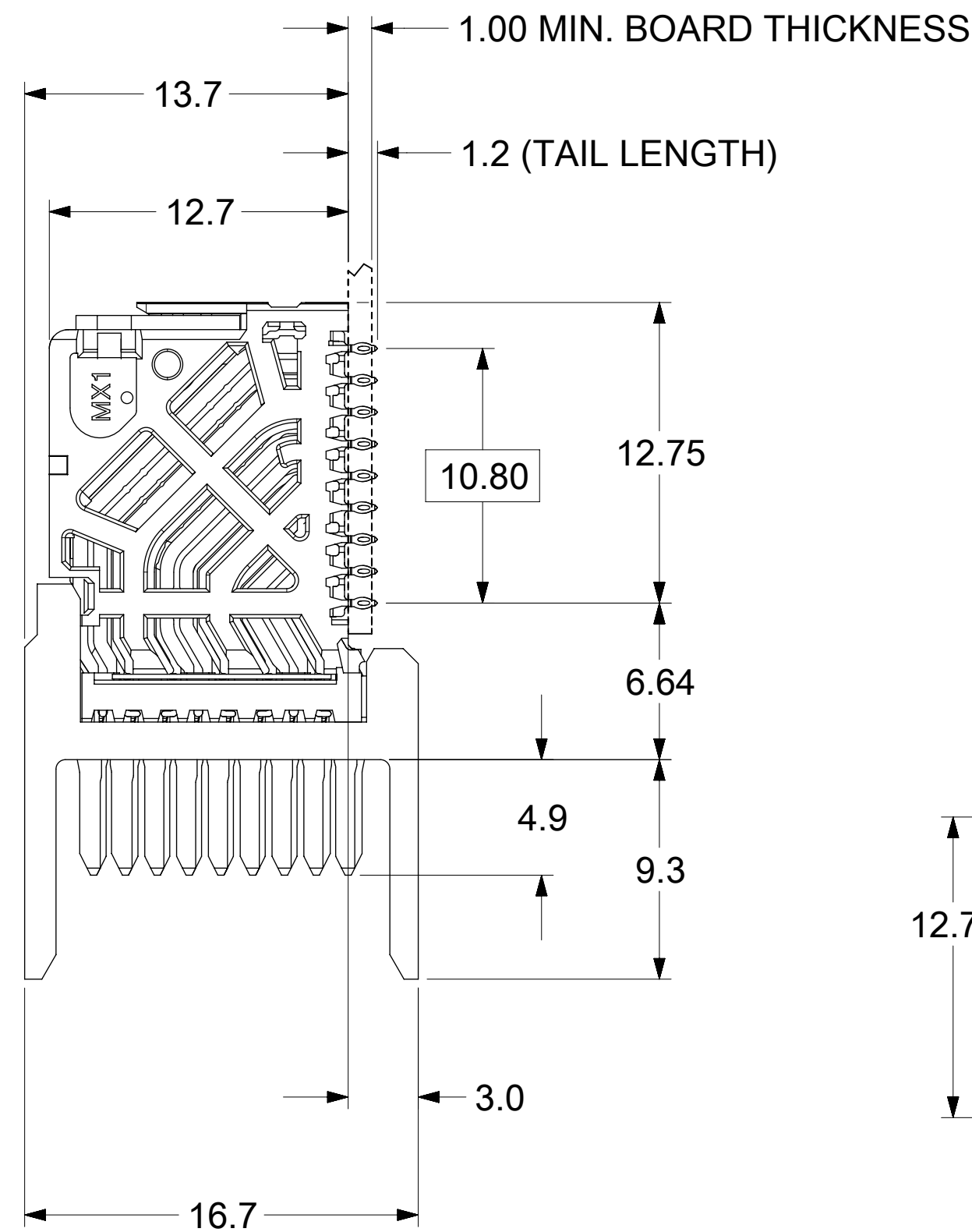
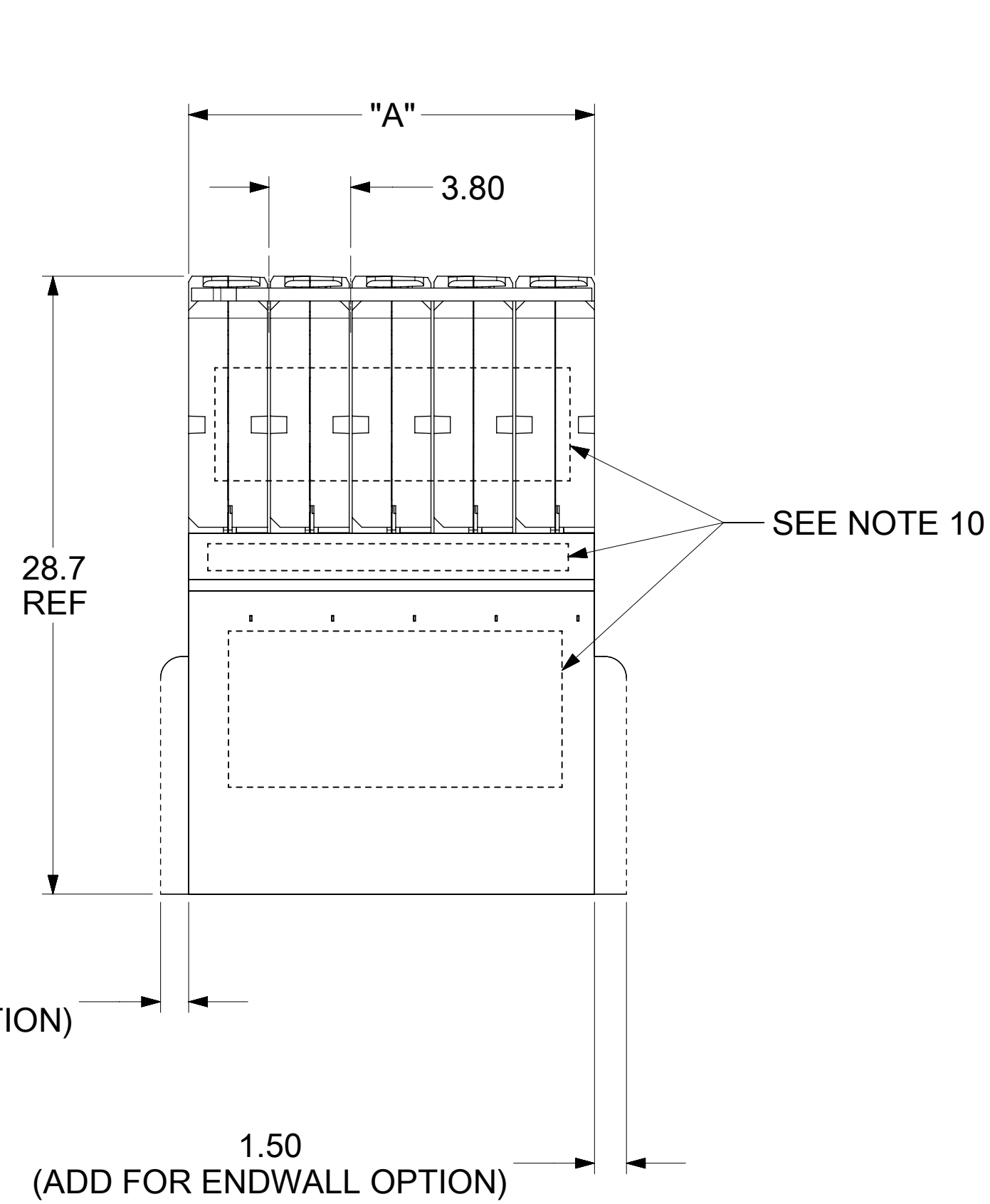
MODULE TYPE  
1 = UNGUIDED, LEAD-FREE

# OF COLUMNS  
1 = 10 COLUMNS  
8 = 8 COLUMNS

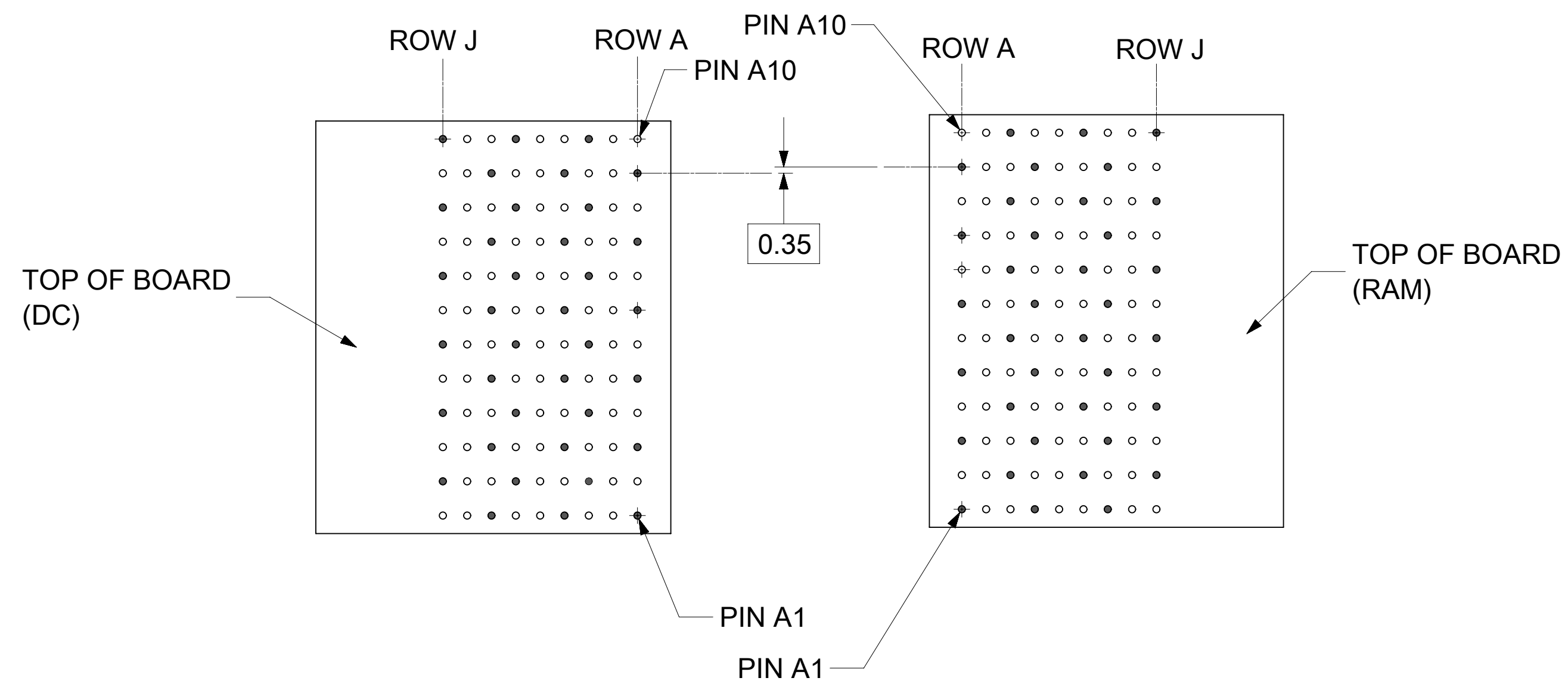
PIN LENGTH (P)  
4 = 4.90 (0.46 PTH)  
5 = 5.50 (0.46 PTH)  
7 = 4.90 (0.39 PTH)  
8 = 5.50 (0.39 PTH)

END WALL OPTIONS  
0 = OPEN ENDS  
1 = LEFT ENDWALL  
2 = DUAL ENDWALL  
3 = RIGHT ENDWALL

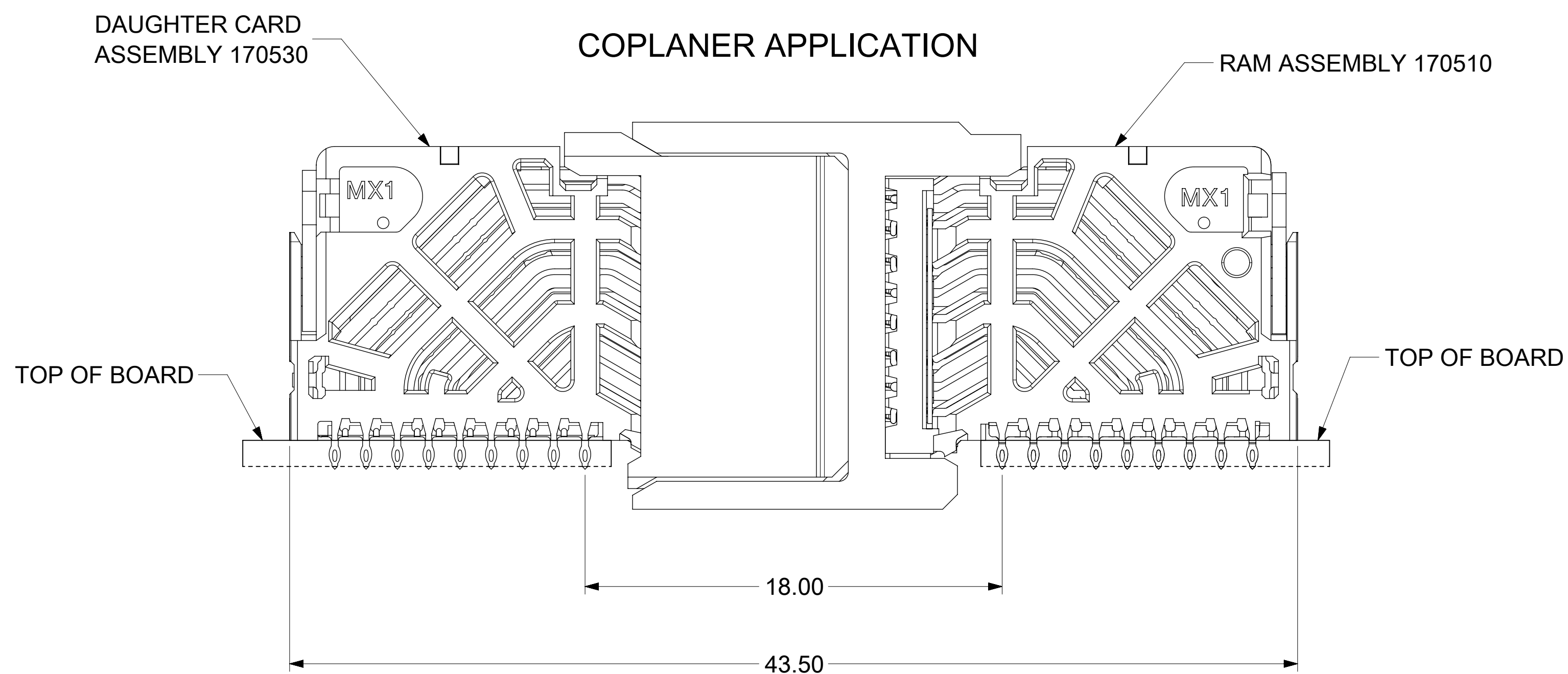
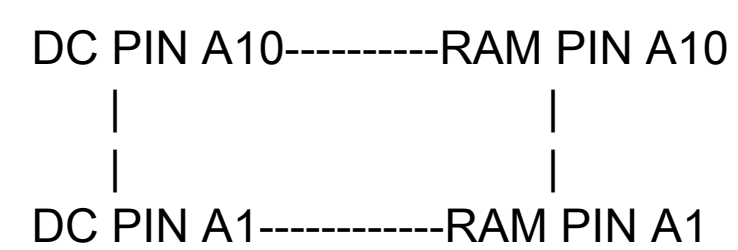
- NOTES:
- MATERIALS: HOUSING - LIQUID CRYSTAL POLYMER (LCP), GLASS-FILLED, UL94V-0  
TERMINALS - HIGH PERFORMANCE COPPER ALLOY
  - FINISH: 30 $\mu$ IN SELECTIVE GOLD IN CONTACT AREA, SELECTIVE TIN ON PCB TAILS, NICKEL OVERALL.
  - REFER TO MOLEX PRODUCT SPECIFICATION PS-170540-999 FOR PERFORMANCE SPECIFICATIONS AND ADDITIONAL PCB INFORMATION.
  - EACH SIGNAL WAFER CONTAINS 2 COLUMNS OF TERMINALS.
  - PRODUCT IS PACKAGED PER PK-70873-041.
  - THIS PART CONFORMS TO CLASS B REQUIREMENTS OF COSMETIC SPEC PS-45499-002.
  - REFER TO MOLEX SALES DRAWING SD-170530-0001 FOR THE MATING RECEPTACLES.
  - REFER TO MOLEX PCB ROUTING GUIDE AS-76060-990 FOR ANTIPAD AND ROUTING RECOMMENDATIONS.
  - GROUND PATHS ARE NOT DISCRETE CIRCUITS.
  - MARKING: LOCATED APPROXIMATELY AS SHOWN. PART NUMBER AND DATE CODE.



THIS DRAWING CONTAINS INFORMATION THAT IS PROPRIETARY TO MOLEX ELECTRONIC TECHNOLOGIES, LLC AND SHOULD NOT BE USED WITHOUT WRITTEN PERMISSION											
DIMENSION UNITS <b>mm</b>		SCALE <b>NTS</b>		CURRENT REV DESC: REMASTERED TO NX AND UPDATED MATING RECEPTACLE DRAWING NUMBER IN NOTE 7.							
GENERAL TOLERANCES (UNLESS SPECIFIED)				EC NO: 705090							
ANGULAR TOL $\pm$ 0.5°				DRWN: PMAHADEVAPPA 2019/05/14							
4 PLACES $\pm$				CHK'D: TMARRI 2019/12/13							
3 PLACES $\pm$				APPR: LZENG 2022/05/13							
2 PLACES $\pm$ 0.13				INITIAL REVISION:							
1 PLACE $\pm$ 0.25				DRWN: MKRAUSE 2013/05/31							
0 PLACES $\pm$				APPR: MKRAUSE 2013/06/21							
DRAFT WHERE APPLICABLE MUST REMAIN WITHIN DIMENSIONS				THIRD ANGLE PROJECTION		DRAWING		SERIES		MATERIAL NUMBER	
						<b>D-SIZE</b>		<b>170510</b>		SEE CHART	
DOCUMENT STATUS				P1		RELEASE DATE		2022/05/13		03:05:07	
										<b>molex</b> IMPACT 3P 85 OHM RAM SIGNAL MODULE ASSEMBLY UNGUIDED SALES DRAWING PRODUCT CUSTOMER DRAWING DOCUMENT NUMBER: <b>SD-170510-0002</b> DOC TYPE: PSD DOC PART: 001 REVISION: A4 MATERIAL NUMBER: GENERAL MARKET CUSTOMER: SEE CHART SHEET NUMBER: 1 OF 2	



**COPLANAR MATED SIGNAL PATHS**



**COPLANER APPLICATION**

THIS DRAWING CONTAINS INFORMATION THAT IS PROPRIETARY TO MOLEX ELECTRONIC TECHNOLOGIES, LLC AND SHOULD NOT BE USED WITHOUT WRITTEN PERMISSION									
DIMENSION UNITS <b>mm</b>		SCALE <b>NTS</b>		CURRENT REV DESC: REMASTERED TO NX AND UPDATED MATING RECEPTACLE DRAWING NUMBER IN NOTE 7.				<b>molex</b>	
GENERAL TOLERANCES (UNLESS SPECIFIED)				EC NO: 705090					
ANGULAR TOL ± 0.5°				DRWN: PMAHADEVAPPA 2019/05/14				PRODUCT CUSTOMER DRAWING	
4 PLACES ±				CHK'D: TMARRI 2019/12/13				DOCUMENT NUMBER	
3 PLACES ±				APPR: LZENG 2022/05/13				DOC TYPE	
2 PLACES ± 0.13				INITIAL REVISION:				DOC PART	
1 PLACE ± 0.25				DRWN: MKRAUSE 2013/05/31				REVISION	
0 PLACES ±				APPR: MKRAUSE 2013/06/21				<b>SD-170510-0002</b>	
DRAFT WHERE APPLICABLE MUST REMAIN WITHIN DIMENSIONS		THIRD ANGLE PROJECTION		DRAWING <b>D-SIZE</b>		SERIES <b>170510</b>		MATERIAL NUMBER SEE CHART	
						CUSTOMER GENERAL MARKET		SHEET NUMBER <b>2 OF 2</b>	

MATERIAL NUMBER	# OF COLUMNS	# OF DIFF PAIR	DIM 'A' MAX	DIM 'B'	PTH $\phi$
170510-#8**	8	24	22.80	13.30	0.46±0.05
170510-#8**					0.39±0.05
170510-#1**	10	30	26.60	17.10	0.46±0.05
170510-#1**					0.39±0.05

170510-\*\*\*\*

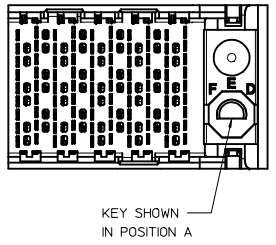
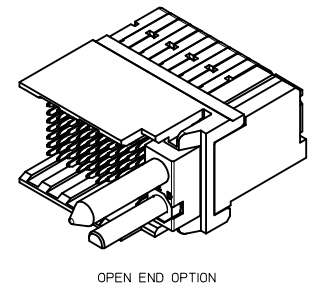
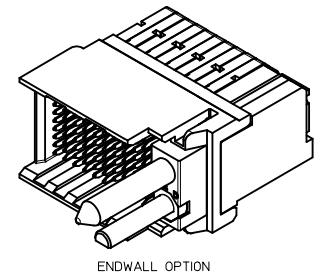
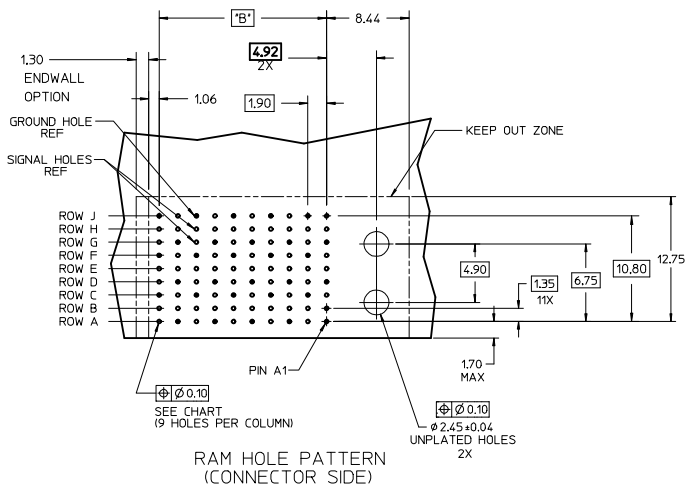
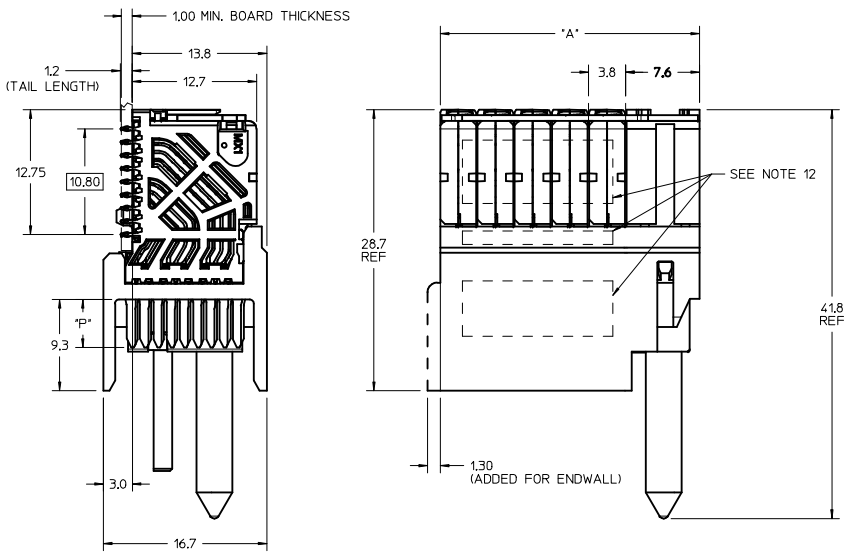
MODULE TYPE  
 5 = RIGHT GUIDED, LEAD-FREE  
 9 = RIGHT GUIDED, LEAD-FREE W/ ENDWALL

PIN LENGTH (P)  
 4 = 4.90 (0.46 PTH)  
 5 = 5.50 (0.46 PTH)  
 7 = 4.90 (0.39 PTH)  
 8 = 5.50 (0.39 PTH)

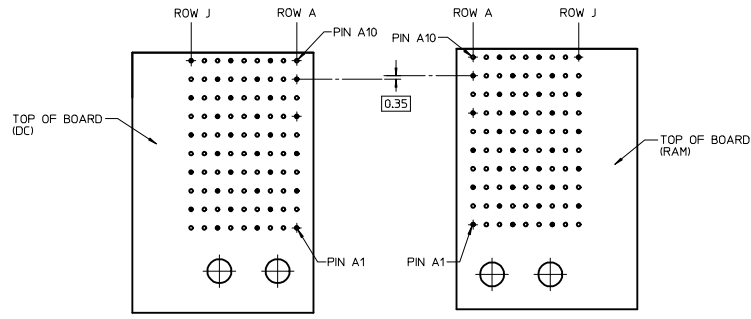
# OF COLUMNS  
 1 = 10 COLUMNS  
 8 = 8 COLUMNS

KEY ORIENTATION  
 0 = NO KEY  
 1 = A 5 = E  
 2 = B 6 = F  
 3 = C 7 = G  
 4 = D 8 = H

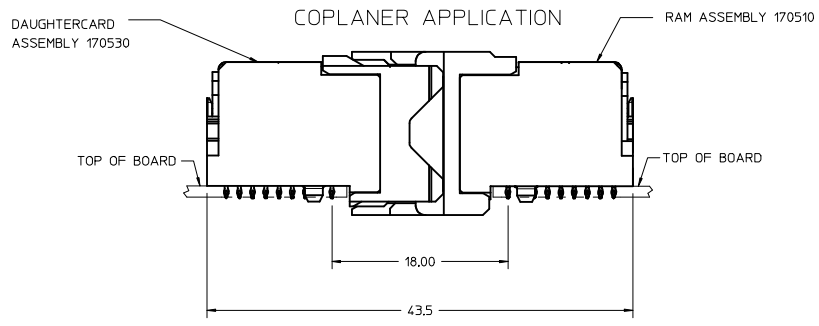
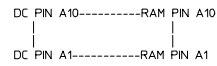
- NOTES:
- MATERIALS: HOUSING - LIQUID CRYSTAL POLYMER (LCP), GLASS-FILLED, UL94V-0  
 TERMINALS - HIGH PERFORMANCE COPPER ALLOY
  - FINISH: 30NM SELECTIVE GOLD IN CONTACT AREA, SELECTIVE TIN ON PCB TAILS, NICKEL OVERALL
  - REFER TO MOLEX PRODUCT SPECIFICATION PS-170540-999 FOR PERFORMANCE SPECIFICATIONS AND ADDITIONAL PCB INFORMATION.
  - EACH SIGNAL WAFER CONTAINS 2 COLUMNS OF TERMINALS.
  - PRODUCT IS PACKAGED PER PK-70873-041.
  - THIS PART CONFORMS TO CLASS B REQUIREMENTS OF COSMETIC SPEC PS-45499-002.
  - REFER TO MOLEX SALES DRAWING SD-170340-002 FOR THE MATING RECEPTACLES.
  - REFER TO MOLEX PCB ROUTING GUIDE AS-76060-990 FOR ANTI PAD AND ROUTING RECOMMENDATIONS.
  - CONNECTORS SUPPLIED WITH A 2-32 SCREW 73726-0000 (9.5mm ±.38mm THREADABLE SCREW LENGTH). THE MAX BOARD THICKNESS IS 4.4mm.
  - GUIDE RIGHT RAM MATES WITH A GUIDE LEFT DAUGHTERCARD.
  - GROUND PATHS ARE NOT DISCRETE CIRCUITS.
  - MARKING: LOCATED APPROXIMATELY AS SHOWN. PART NUMBER AND DATE CODE.



<b>REV D 12, 14, 16-COL OPTIONS</b> DEC NO. UICP2017-2489 DRAWN: VARVARA 2017/05/17 CHCK: TELLO APPR: TELLO 2017/05/12	QUALITY SYMBOLS	GENERAL TOLERANCES (UNLESS SPECIFIED)	DIMENSION STYLE	SCALE	DESIGN UNITS	THIRD ANGLE PROJECTION
	$\nabla=0$ $\nabla=0$ $\nabla=0$	mm INCH 4 PLACES ± --- ± --- 3 PLACES ± --- ± --- 2 PLACES ± 0.13 ± --- 1 PLACE ± 0.25 ± --- 0 PLACE ± --- ± ---	MM ONLY	4:1	METRIC	DRAWN BY: MKRAUSE 2013/05/31 CHECKED BY: TELLO 2016/02/22 APPROVED BY: TELLO 2014/03/19
MATERIAL NO. SEE CHART DOCUMENT NO. SD-170510-0004	ANGULAR ±1/2° DRAFT WHERE APPLICABLE MUST REMAIN WITHIN DIMENSIONS	SHEET NO. 1 OF 2				



COPLANAR MATED SIGNAL PATHS



<b>PROPOSED</b> IEC NO. UCF2017-2489 DRAWN: VARARA CHCK: A2 APPR: TELO 2017/05/17 2017/05/22	QUALITY SYMBOLS	GENERAL TOLERANCES (UNLESS SPECIFIED)	DIMENSION STYLE	SCALE	DESIGN UNITS	THIRD ANGLE PROJECTION
	$\nabla=0$ $\nabla=0$ $\nabla=0$	4 PLACES ± mm 3 PLACES ± INCH 2 PLACES ± 0.13 1 PLACE ± 0.25 0 PLACE ±	MM ONLY	4:1	METRIC	
	DRAWN BY: MKRAUSE CHECKED BY: TELO APPROVED BY: TELO DATE: 2013/05/31 DATE: 2016/02/22 DATE: 2014/03/19	ANGULAR ±1/2° DRAFT WHERE APPLICABLE MUST REMAIN WITHIN DIMENSIONS	MATERIAL NO. <b>SEE CHART</b>	TITLE <b>IMPACT 3P 85 OHM RAM          RIGHT GUIDED ASSEMBLY          SALES DRAWING</b> 	DOCUMENT NO. SD-170510-0004	SHEET NO. 2 OF 2
	THIS DRAWING CONTAINS INFORMATION THAT IS PROPRIETARY TO MOLEX INCORPORATED AND SHOULD NOT BE USED WITHOUT WRITTEN PERMISSION					