

PART NUMBER	PACKAGING
149-0701-801	ONE PIECE PER BAG

REV	ECO	DATE
2	EC-2005027	20MAY2020
3	-	29JUL2020
4	EC-2007028	05NOV2020

NOTES:

1. MATERIAL AND FINISH:

- 1.1 MAIN BODY: BERYLLIUM COPPER, GOLD PLATE
- 1.2 MOUNTING BODY: BRASS, GOLD PLATE
- 1.3 CONTACT: BERYLLIUM COPPER, GOLD PLATE
- 1.4 MAIN INSULATOR: ULTEM 1000, AMBER
- 1.5 MOUNTING INSULATOR: PTFE
- 1.6 BOLT&WASHERS: STAINLESS STEEL

2. ELECTRICAL SPECIFICATIONS:

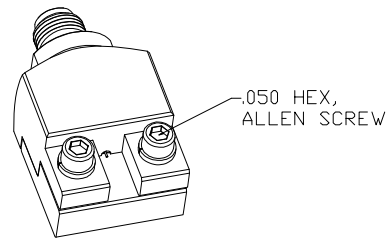
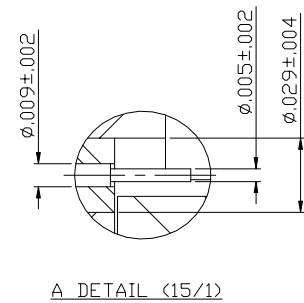
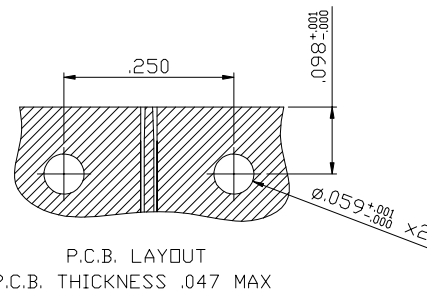
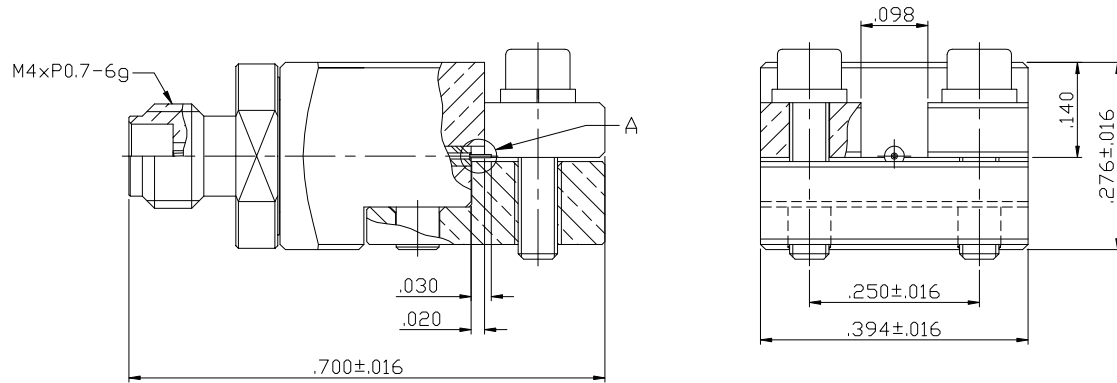
- 2.1 IMPEDANCE: 50 OHMS NOMINAL
- 2.2 FREQUENCY RANGE: DC~110 GHz
- 2.3 RETURN LOSS: DC~67 GHz -15 dB MAX.
67~110 GHz -10 dB MAX.
- 2.4 INSERTION LOSS: 0.6 dB TYPICAL
- 2.5 DIELECTRIC WITHSTANDING VOLTAGE: 500 VRMS MIN.
- 2.6 INSULATION RESISTANCE: 5000 MEGOHM MIN.
- 2.7 CONTACT RESISTANCE:
 - 2.7.1 CENTER CONTACT - 8.0 MILLIOHM MAX.
 - 2.7.2 OUTER CONDUCTOR - 1.0 MILLIOHM MAX.

3. MECHANICAL SPECIFICATIONS:

- 3.1 INTERFACE STANDARD: IEEE 287 GPC
- 3.2 MATING TORQUE: 0.35 Nm MAX.
- 3.3 COUPLING PROOF TORQUE: 0.7 Nm MIN.
- 3.4 DURABILITY: 500 CYCLES MIN.

4. ENVIRONMENTAL:

- 4.1 THERMAL SHOCK: MIL-STD-202, METHOD 107, CONDITION B
- 4.2 OPERATING TEMPERATURE: -65°C TO 165°C
- 4.3 MOISTURE RESISTANCE: MIL-STD-202, METHOD 106
- 4.4 MECHANICAL SHOCK: MIL-STD-202, METHOD 213, CONDITION I
- 4.5 VIBRATION: MIL-STD-202, METHOD 204, CONDITION D



	Model No: 149-0701-801/810	JOHNSON	
	RoHS <input checked="" type="checkbox"/> <small>EU/2015/863</small> COMPLIANT	Code Code 	Title: 1.0MM FEMALE END LAUNCH 110 GHz, SCREW-ON TYPE
<small>UNLESS OTHERWISE SPECIFIED</small> .XXX ±.008 .XXXX ±.008 ANGLES ±5°	Drawn by: Bill Peng Date: 11/05/2020	Drawing No. 149-0701-801/810	REV. 4
<small>INTERPRET DRAWING IN ACCORDANCE WITH ASME Y14.5-2009.</small>	Size B DO NOT SCALE DRAWING	Parameters: NONE	Sheet 1 OF 1