

6

5

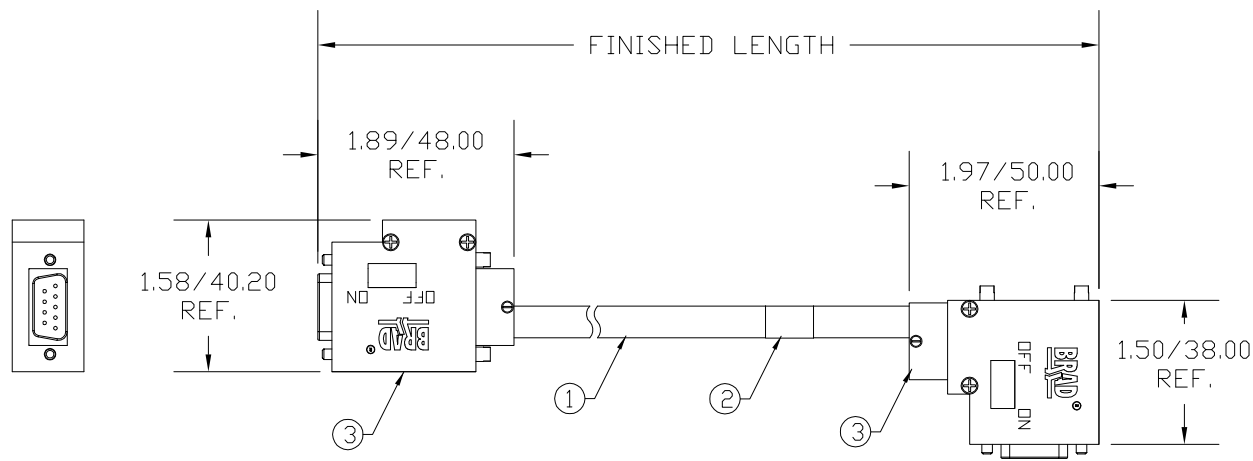
4

3

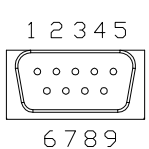
2

1

MATERIAL NUMBER	ENGINEERING PART NUMBER	FINISHED LENGTH
1200980200	MM3S62PP4M010	3.28' +2.19" -0 [1.0M +55.6 -0]
1200980201	MM3S62PP4M050	16.40' +6.50" -0 [5.0M +165.1 -0]



9	NOT CONNECTED	9
8	GREEN (LINE A)	8
7	NOT CONNECTED	7
6	NOT CONNECTED	6
5	NOT CONNECTED	5
4	NOT CONNECTED	4
3	RED (LINE B)	3
2	NOT CONNECTED	2
1	NOT CONNECTED	1



D-SUB FACE VIEW

WIRING DIAGRAM

VOLTAGE RATING	250 VAC/VDC
AMPERAGE RATING	4 AMPS
PROTECTION FOR D-SUB	IP40
OPERATING TEMPERATURE	-20°C TO 80°C

ITEM	COMPONENT	MATERIAL	FINISH
1	CABLE- 22 AWG, COPPER STRANDING TWISTED PAIR SHIELD WITH BRAID	PUR	PURPLE
2	LABEL	MLYAR	BLACK/YELLOW
3	D-SUB	ABS	BLACK

RLSD DRAWING
 EC NO: WNA2010-0143
 DRWN: TWOLDEGE 8/27/09
 CHKD: BWOODMAN
 APPR: JFMURPHY 2009/08/28
 DESCRIPTION
 QUALITY SYMBOLS
 ▽=0
 ▽/C=0

GENERAL TOLERANCES (UNLESS SPECIFIED)	
	INCH
4 PLACES	±---
3 PLACES	±---
2 PLACES	±.01
1 PLACE	±0.3
ANGULAR ±---°	

DRAFT WHERE APPLICABLE MUST REMAIN WITHIN DIMENSIONS

DIMENSION STYLE	
IN/MM	
DRAWN BY	DATE
TWOLDEGE	2009/08/26
CHECKED BY	DATE
BWOODMAN	2009/08/26
APPROVED BY	DATE
JFMURPHY	2009/08/27
MATERIAL NO.	SEE CHART
SIZE	A

SCALE	DESIGN UNITS	THIRD ANGLE PROJECTION
---	----	
TITLE		
MICRO-CHANGE PROFIBUS 9P HORIZ-VERTI DSUB-DSUB PUR CABLE		
MOLEX INCORPORATED		
DOCUMENT NO.	SD-120098-027	SHEET NO. 1 OF 1
THIS DRAWING CONTAINS INFORMATION THAT IS PROPRIETARY TO MOLEX INCORPORATED AND SHOULD NOT BE USED WITHOUT WRITTEN PERMISSION		

6

5

4

3

2

1