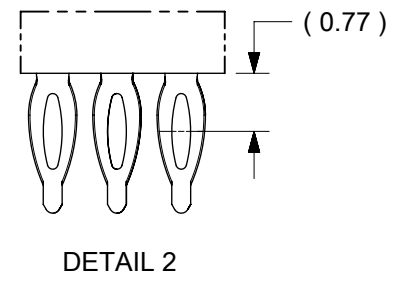
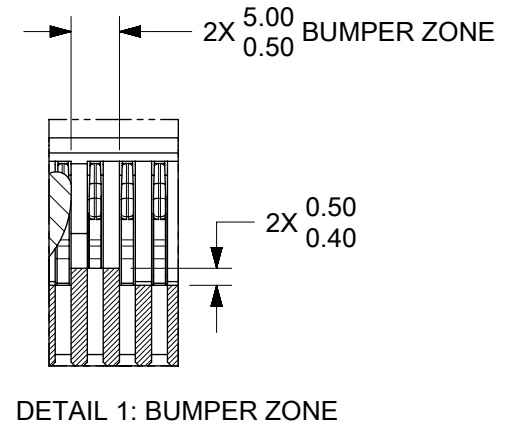
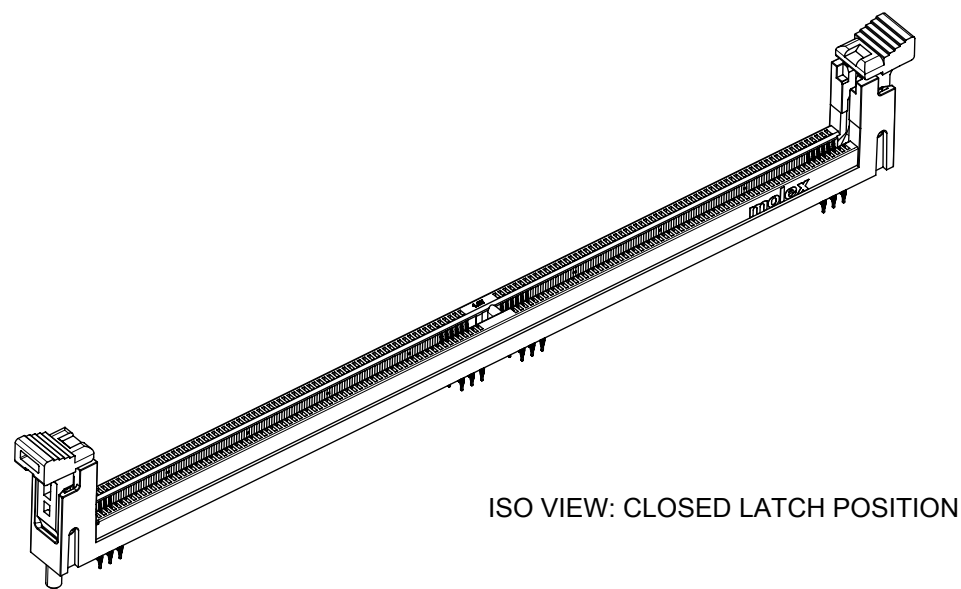
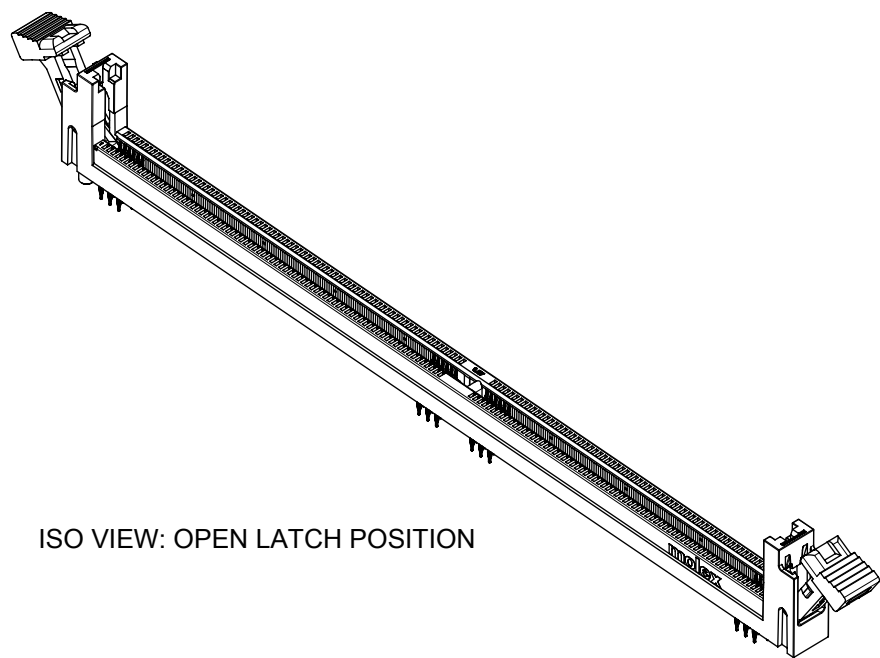
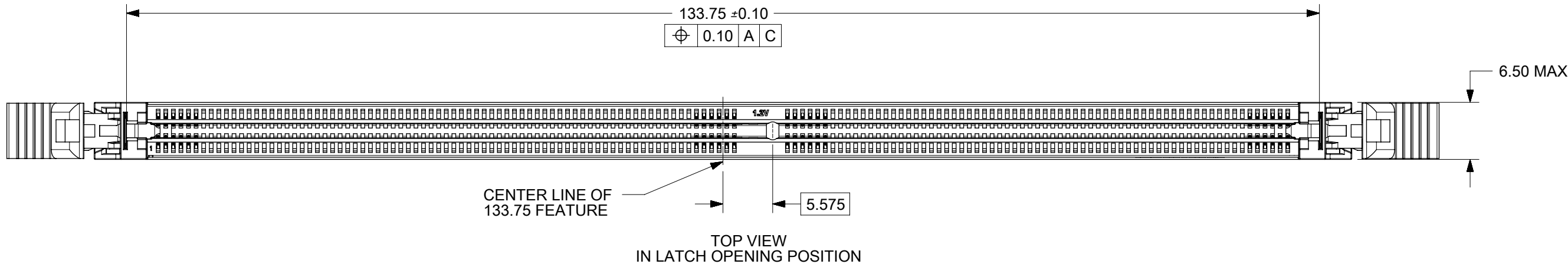


- NOTES:
- MATERIAL : HOUSING - HALOGEN FREE HIGH TEMP POLYAMIDE, GLASS FILLED, UL94V-0.  
COLOUR : SEE TABLE ON SHEET 5.  
LATCH - HALOGEN FREE HIGH TEMP POLYAMIDE, GLASS FILLED, UL94V-0.  
COLOUR : SEE TABLE ON SHEET 5.  
TERMINAL: COPPER ALLOY.
  - FINISHES - SEE TABLE ON SHEET 5.
  - PRODUCT SPECIFICATION : SEE TABLE ON SHEET 5.
  - PACKAGING SPECIFICATION: PRODUCT SHALL BE PACKED IN TRAY, SEE SHEET 5
  - CARD SLOT ACCEPTS 1.40±0.10MM MODULE THICKNESS (MEASURED OVER P.C. PADS).
  - MOLEX LOGO, DATE & PART NO. INDICATED ON HOUSING.
  - MODULE SEATING PLANE.
  - KEEP OUT ZONE RESERVED FOR LATCH.
  - KEEP OUT AREA IS THE AREA WHERE THE CONNECTOR (INCLUDES LATCHES IN OPENING POSITION) IS MOUNTED ON THE PCB.
  - REFER TO AS-78731-001 FOR CONNECTOR MOUNTING AND REWORK INFORMATION.
  - REFER TO AS-78731-003 FOR PCB ROUTING RECOMMENDATIONS.

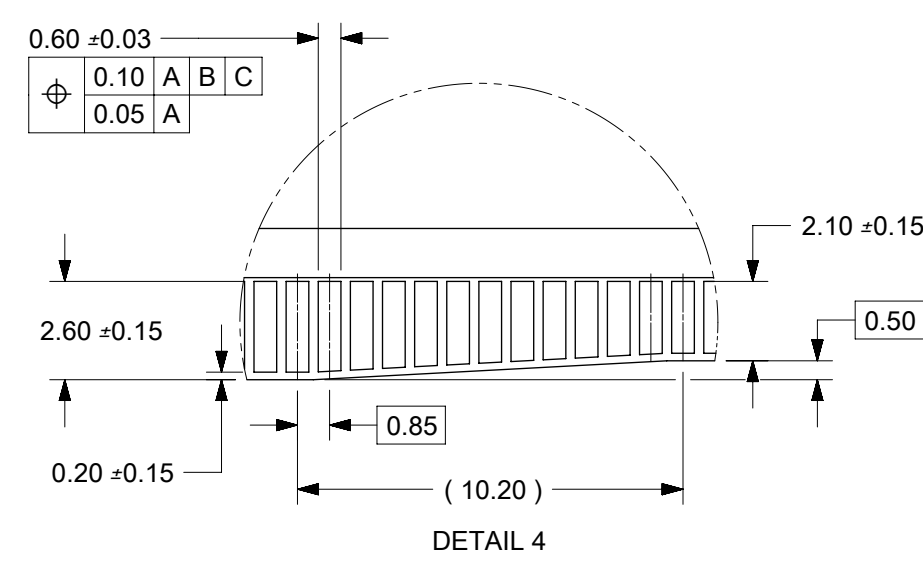
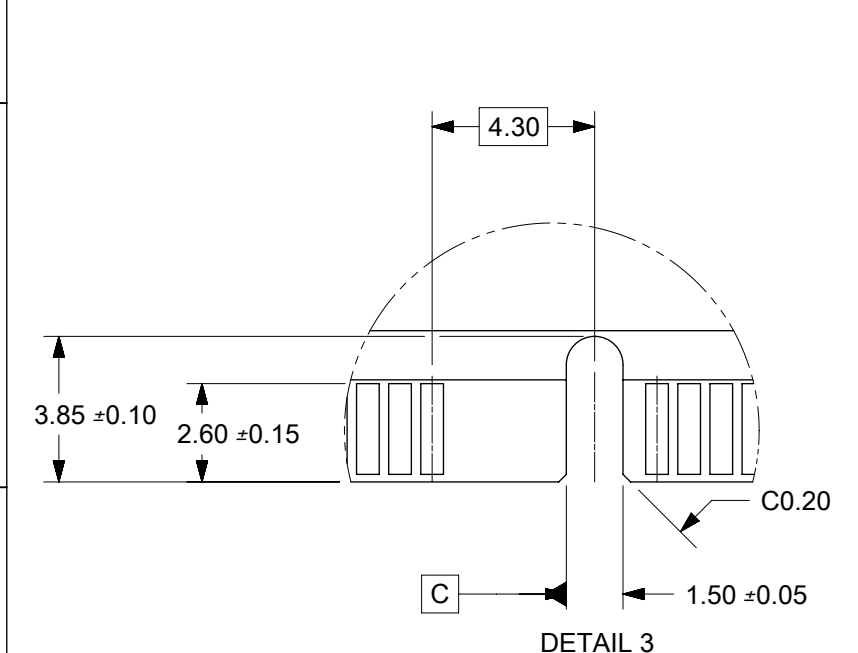
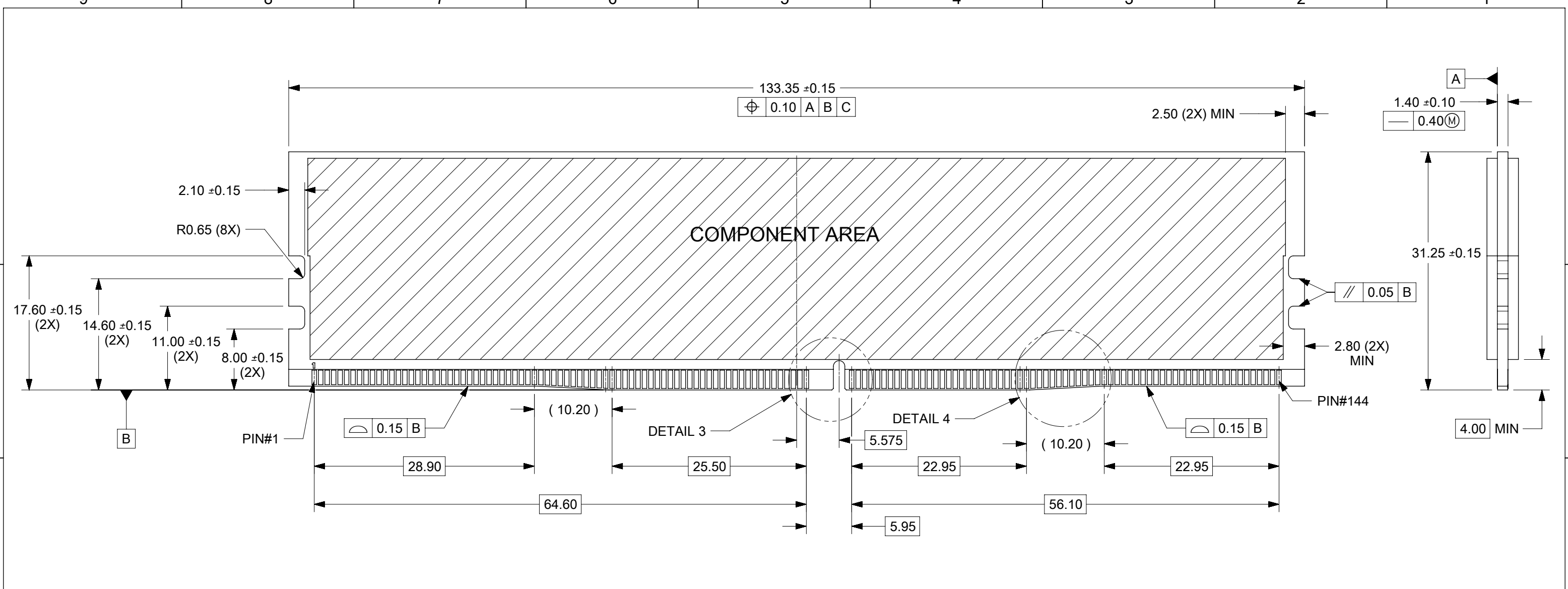


THIS DRAWING CONTAINS INFORMATION THAT IS PROPRIETARY TO MOLEX ELECTRONIC TECHNOLOGIES, LLC AND SHOULD NOT BE USED WITHOUT WRITTEN PERMISSION		CURRENT REV DESC: MIGRATED TO NX		<b>molex</b>	
DIMENSION UNITS	SCALE				
MM	NTS			DDR4 DIMM, 0.85MM PITCH 288CKTS, VERTICAL PF	
GENERAL TOLERANCES (UNLESS SPECIFIED)		EC NO: 174601		PRODUCT CUSTOMER DRAWING	
ANGULAR TOL	± 3.0 °	DRWN: RHA02	2018/03/08	DOCUMENT NUMBER	
4 PLACES	±	CHK'D: CGTAN	2018/05/08	SD-78731-002	
3 PLACES	±	APPR: SHLENI	2018/05/15	DOC TYPE	DOC PART
2 PLACES	± 0.2	INITIAL REVISION:		PSD	001
1 PLACE	±	DRWN: EKSOH	2015/03/19	REVISION	
0 PLACES	±	APPR: SHLENI	2015/06/23	A	
DRAFT WHERE APPLICABLE MUST REMAIN WITHIN DIMENSIONS		THIRD ANGLE PROJECTION	DRAWING	SERIES	MATERIAL NUMBER
			A3-SIZE	78731	SEE TABLE
		CUSTOMER	SHEET NUMBER		
		GENERAL MARKET	1 OF 5		

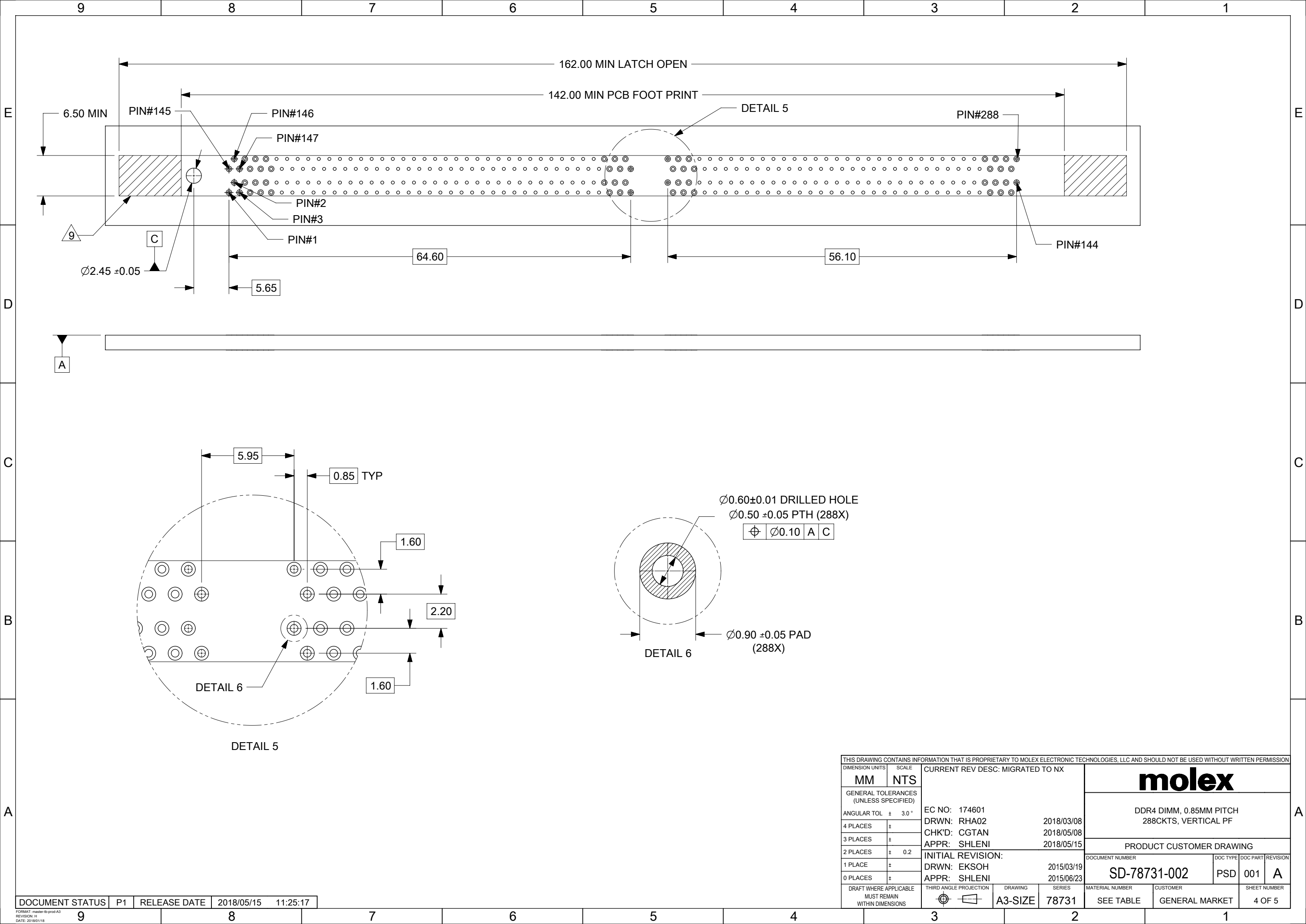


THIS DRAWING CONTAINS INFORMATION THAT IS PROPRIETARY TO MOLEX ELECTRONIC TECHNOLOGIES, LLC AND SHOULD NOT BE USED WITHOUT WRITTEN PERMISSION											
DIMENSION UNITS	SCALE	CURRENT REV DESC: MIGRATED TO NX									
MM	NTS										
GENERAL TOLERANCES (UNLESS SPECIFIED)					DDR4 DIMM, 0.85MM PITCH 288CKTS, VERTICAL PF						
ANGULAR TOL	±	3.0°	EC NO: 174601		PRODUCT CUSTOMER DRAWING						
4 PLACES	±		DRWN: RHA02		2018/03/08		DOCUMENT NUMBER				
3 PLACES	±		CHK'D: CGTAN		2018/05/08		SD-78731-002		DOC TYPE	DOC PART	REVISION
2 PLACES	±	0.2	APPR: SHLENI		2018/05/15				PSD	001	A
1 PLACE	±		INITIAL REVISION:				MATERIAL NUMBER		CUSTOMER		SHEET NUMBER
0 PLACES	±		DRWN: EKSOH		2015/03/19		SEE TABLE		GENERAL MARKET		2 OF 5
DRAFT WHERE APPLICABLE MUST REMAIN WITHIN DIMENSIONS		THIRD ANGLE PROJECTION		DRAWING	SERIES	MATERIAL NUMBER		CUSTOMER		SHEET NUMBER	
				A3-SIZE	78731	SEE TABLE		GENERAL MARKET		2 OF 5	

DOCUMENT STATUS	P1	RELEASE DATE	2018/05/15	11:25:17
-----------------	----	--------------	------------	----------



THIS DRAWING CONTAINS INFORMATION THAT IS PROPRIETARY TO MOLEX ELECTRONIC TECHNOLOGIES, LLC AND SHOULD NOT BE USED WITHOUT WRITTEN PERMISSION		CURRENT REV DESC: MIGRATED TO NX		<b>molex</b>	
DIMENSION UNITS	SCALE				
MM	NTS			PRODUCT CUSTOMER DRAWING	
GENERAL TOLERANCES (UNLESS SPECIFIED)		EC NO: 174601		DOCUMENT NUMBER	
ANGULAR TOL	± 3.0°	DRWN: RHA02	2018/03/08	SD-78731-002	
4 PLACES	±	CHK'D: CGTAN	2018/05/08	DOC TYPE	DOC PART
3 PLACES	±	APPR: SHLENI	2018/05/15	PSD	001
2 PLACES	± 0.2	INITIAL REVISION:		REVISION	A
1 PLACE	±	DRWN: EKSOH	2015/03/19		
0 PLACES	±	APPR: SHLENI	2015/06/23		
DRAFT WHERE APPLICABLE MUST REMAIN WITHIN DIMENSIONS	THIRD ANGLE PROJECTION	DRAWING	SERIES	MATERIAL NUMBER	CUSTOMER
		A3-SIZE	78731	SEE TABLE	GENERAL MARKET
DOCUMENT STATUS		P1	RELEASE DATE	2018/05/15	11:25:17



THIS DRAWING CONTAINS INFORMATION THAT IS PROPRIETARY TO MOLEX ELECTRONIC TECHNOLOGIES, LLC AND SHOULD NOT BE USED WITHOUT WRITTEN PERMISSION												
DIMENSION UNITS		SCALE		CURRENT REV DESC: MIGRATED TO NX								
MM		NTS										
GENERAL TOLERANCES (UNLESS SPECIFIED)										DDR4 DIMM, 0.85MM PITCH 288CKTS, VERTICAL PF		
ANGULAR TOL $\pm 3.0^\circ$				PRODUCT CUSTOMER DRAWING								
4 PLACES $\pm$				EC NO: 174601		2018/03/08		DOCUMENT NUMBER		DOC TYPE	DOC PART	REVISION
3 PLACES $\pm$				DRWN: RHA02		2018/05/08		SD-78731-002		PSD	001	A
2 PLACES $\pm 0.2$				CHK'D: CGTAN		2018/05/15		MATERIAL NUMBER		CUSTOMER		
1 PLACE $\pm$				APPR: SHLENI		2018/05/15		78731		GENERAL MARKET		
0 PLACES $\pm$				INITIAL REVISION:		2015/03/19		SERIES		SHEET NUMBER		
DRAFT WHERE APPLICABLE MUST REMAIN WITHIN DIMENSIONS				DRWN: EKSOH		2015/06/23		DRAWING		4 OF 5		
				APPR: SHLENI				A3-SIZE				

DOCUMENT STATUS	P1	RELEASE DATE	2018/05/15	11:25:17
-----------------	----	--------------	------------	----------

E

E

CKT SIZE	ASSEMBLY PART NO.	HOUSING COLOUR	LATCH COLOUR	RECOMMENDED MINIMUM PCB THICKNESS	PLATING OPTION		PRODUCT SPEC. NO.	PACKAGING SPEC. NO.
					CONTACT AREA	TAIL AREA		
288	78731-1012	BLACK	BLACK	1.57	0.76 MICROMETER (30 MICROINCH) MIN GOLD ON CONTACT	0.38 TO 1.52 MICROMETER (15 TO 60 MICROINCH) MIN TIN ON SOLDERTAILS	PS-78731-001	PK-78731-001
	78731-1013	BLACK	WHITE					
	78731-1014	WHITE	BLACK					
	78731-1015	WHITE	WHITE					
	78731-1016	BLUE	BLUE					
	78731-2012	BLACK	BLACK		1.27 MICROMETER (50 MICROINCH) MIN NICKEL UNDERPLATE			
	78731-2013	BLACK	WHITE					
	78731-2014	WHITE	BLACK					
	78731-2015	WHITE	WHITE					
	78731-2016	BLUE	BLUE					

D

D

C

C

B

B

A

A

THIS DRAWING CONTAINS INFORMATION THAT IS PROPRIETARY TO MOLEX ELECTRONIC TECHNOLOGIES, LLC AND SHOULD NOT BE USED WITHOUT WRITTEN PERMISSION									
DIMENSION UNITS	SCALE	CURRENT REV DESC: MIGRATED TO NX					<b>molex</b>		
MM	NTS								
GENERAL TOLERANCES (UNLESS SPECIFIED)		EC NO: 174601					DDR4 DIMM, 0.85MM PITCH		
ANGULAR TOL	± 3.0 °	DRWN: RHA02 2018/03/08					288CKTS, VERTICAL PF		
4 PLACES	±	CHK'D: CGTAN 2018/05/08					PRODUCT CUSTOMER DRAWING		
3 PLACES	±	APPR: SHLENI 2018/05/15					DOCUMENT NUMBER		
2 PLACES	± 0.2	INITIAL REVISION:					SD-78731-002		
1 PLACE	±	DRWN: EKSOH 2015/03/19					DOC TYPE	DOC PART	REVISION
0 PLACES	±	APPR: SHLENI 2015/06/23					PSD	001	A
DRAFT WHERE APPLICABLE MUST REMAIN WITHIN DIMENSIONS		THIRD ANGLE PROJECTION	DRAWING	SERIES	MATERIAL NUMBER	CUSTOMER	SHEET NUMBER		
			A3-SIZE	78731	SEE TABLE	GENERAL MARKET	5 OF 5		

DOCUMENT STATUS	P1	RELEASE DATE	2018/05/15	11:25:17
-----------------	----	--------------	------------	----------