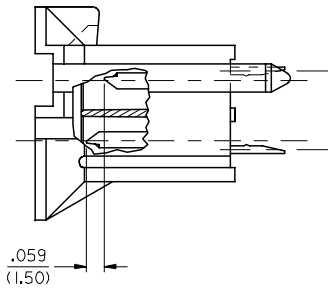
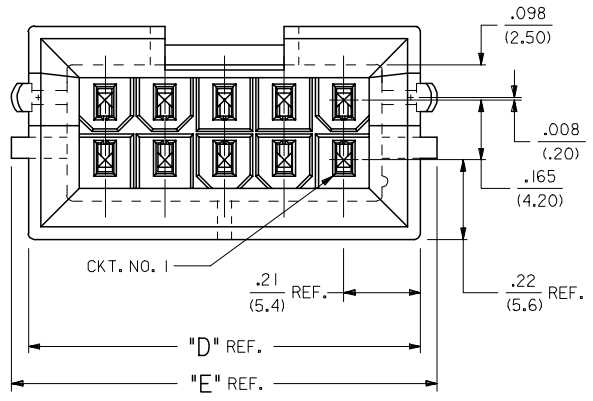
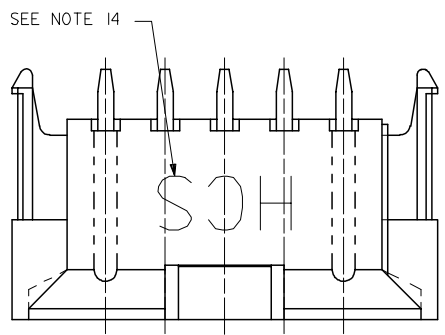
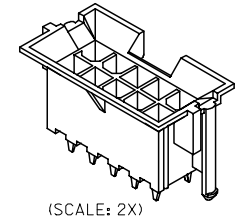


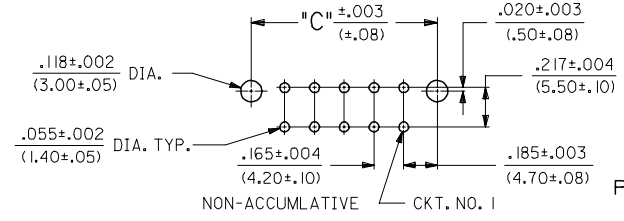
| CIRCUIT SIZE | DIM. 'A'       | DIM. 'B'       | DIM. 'C'         | DIM. 'D'         | DIM. 'E'         |
|--------------|----------------|----------------|------------------|------------------|------------------|
| 2            | —              | .21<br>(5.4)   | .370<br>(9.40)   | .425<br>(10.80)  | .520<br>(13.20)  |
| 4            | .17<br>(4.2)   | .38<br>(9.6)   | .535<br>(13.60)  | .590<br>(15.00)  | .685<br>(17.40)  |
| 6            | .33<br>(8.4)   | .54<br>(13.8)  | .701<br>(17.80)  | .756<br>(19.20)  | .850<br>(21.60)  |
| 8            | .50<br>(12.6)  | .71<br>(18.0)  | .866<br>(22.00)  | .921<br>(23.40)  | 1.016<br>(25.80) |
| 10           | .66<br>(16.8)  | .87<br>(22.2)  | 1.031<br>(26.20) | 1.087<br>(27.60) | 1.181<br>(30.00) |
| 12           | .83<br>(21.0)  | 1.04<br>(26.4) | 1.197<br>(30.40) | 1.252<br>(31.80) | 1.346<br>(34.20) |
| 14           | .99<br>(25.2)  | 1.20<br>(30.6) | 1.362<br>(34.60) | 1.417<br>(36.00) | 1.512<br>(38.40) |
| 16           | 1.16<br>(29.4) | 1.37<br>(34.8) | 1.528<br>(38.80) | 1.583<br>(40.20) | 1.677<br>(42.60) |
| 18           | 1.32<br>(33.6) | 1.54<br>(39.0) | 1.693<br>(43.00) | 1.748<br>(44.40) | 1.843<br>(46.80) |
| 20           | 1.49<br>(37.8) | 1.70<br>(43.2) | 1.858<br>(47.20) | 1.913<br>(48.60) | 2.008<br>(51.00) |
| 22           | 1.65<br>(42.0) | 1.87<br>(47.4) | 2.024<br>(51.40) | 2.079<br>(52.80) | 2.173<br>(55.20) |
| 24           | 1.82<br>(46.2) | 2.03<br>(51.6) | 2.189<br>(55.60) | 2.244<br>(57.00) | 2.339<br>(59.40) |



MATE-FIRST/BREAK-LAST DETAIL  
(SEE NOTE 12)

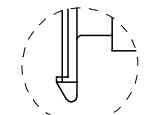


(SCALE: 2X)

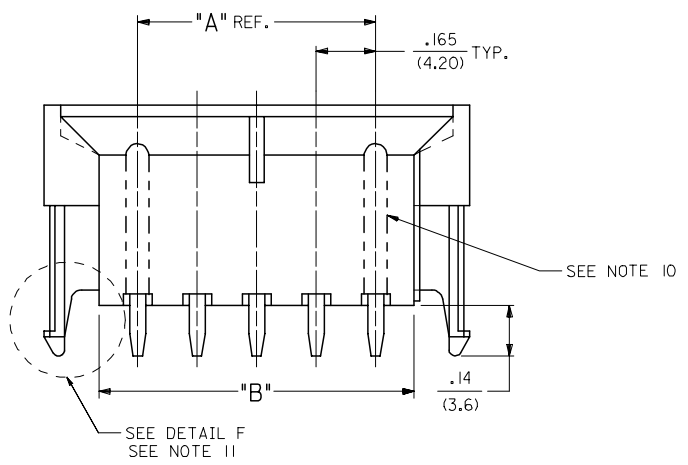


RECOMMENDED HOLE LAYOUT FOR .070/(1.78) MAX. THICK P.C. BOARD

(SEE NOTE 5)  
(SCALE: 2X)



DETAIL "F"  
PEG DESIGN  
PRIOR TO 8/11/97



|   |    |
|---|----|
| 6 | G  |
| 5 | G  |
| 4 | G  |
| 3 | G  |
| 2 | D1 |
| 1 | G  |

| <b>REVISE BORDER</b><br>EC NO: UCP2005-1986<br>G1 DRWN: JSCHAFER 2005/03/17<br>CHKD: 2005/03/21<br>APPR: YMARGULLI 2005/03/22<br>REV DESCRIPTION | QUALITY SYMBOLS | GENERAL TOLERANCES (UNLESS SPECIFIED)   | DIMENSION STYLE IN/MM | SCALE 1:1 | DESIGN UNITS INCH | THIRD ANGLE PROJECTION |     |      |            |     |       |            |      |       |           |      |      |               |  |  |  |          |      |       |     |  |  |            |      |  |     |  |  |             |      |  |     |  |  |  |              |              |           |  |                |        |
|--|-----------------|---|-----------------------|-----------|-------------------|------------------------|-----|------|------------|-----|-------|------------|------|-------|-----------|------|------|---------------|--|--|--|----------|------|-------|-----|--|--|------------|------|--|-----|--|--|-------------|------|--|-----|--|--|--|--------------|--------------|-----------|--|----------------|--------|
|  |                 | <table border="1"> <thead> <tr> <th></th> <th>mm</th> <th>INCH</th> </tr> </thead> <tbody> <tr> <td>4 PLACES ±</td> <td>---</td> <td>±---</td> </tr> <tr> <td>3 PLACES ±</td> <td>---</td> <td>±.010</td> </tr> <tr> <td>2 PLACES ±</td> <td>0.25</td> <td>±.015</td> </tr> <tr> <td>1 PLACE ±</td> <td>0.38</td> <td>±---</td> </tr> <tr> <td colspan="3">ANGULAR ±1/2°</td> </tr> </tbody> </table> |                       | mm        | INCH              | 4 PLACES ±             | --- | ±--- | 3 PLACES ± | --- | ±.010 | 2 PLACES ± | 0.25 | ±.015 | 1 PLACE ± | 0.38 | ±--- | ANGULAR ±1/2° |  |  | <table border="1"> <tr> <th>DRAWN BY</th> <th>DATE</th> <th>TITLE</th> </tr> <tr> <td>GEP</td> <td></td> <td>VERTICAL HEADER ASSEMBLY MINI-FIT HCS SERIES</td> </tr> <tr> <th>CHECKED BY</th> <th>DATE</th> <td></td> </tr> <tr> <td>RJF</td> <td></td> <td></td> </tr> <tr> <th>APPROVED BY</th> <th>DATE</th> <td></td> </tr> <tr> <td>RJF</td> <td></td> <td></td> </tr> </table> | DRAWN BY | DATE | TITLE | GEP |  | VERTICAL HEADER ASSEMBLY MINI-FIT HCS SERIES | CHECKED BY | DATE |  | RJF |  |  | APPROVED BY | DATE |  | RJF |  |  | <table border="1"> <tr> <th>MATERIAL NO.</th> <th>DOCUMENT NO.</th> <th>SHEET NO.</th> </tr> <tr> <td></td> <td>SDA-44474-****</td> <td>1 OF 6</td> </tr> </table> | MATERIAL NO. | DOCUMENT NO. | SHEET NO. |  | SDA-44474-**** | 1 OF 6 |
|  |                 | mm  | INCH                  |           |                   |                        |     |      |            |     |       |            |      |       |           |      |      |               |  |  |  |          |      |       |     |  |  |            |      |  |     |  |  |             |      |  |     |  |  |  |              |              |           |  |                |        |
|  | 4 PLACES ±      | ---   | ±---                  |           |                   |                        |     |      |            |     |       |            |      |       |           |      |      |               |  |  |  |          |      |       |     |  |  |            |      |  |     |  |  |             |      |  |     |  |  |  |              |              |           |  |                |        |
| 3 PLACES ±   | ---             | ±.010   |                       |           |                   |                        |     |      |            |     |       |            |      |       |           |      |      |               |  |  |  |          |      |       |     |  |  |            |      |  |     |  |  |             |      |  |     |  |  |  |              |              |           |  |                |        |
| 2 PLACES ±   | 0.25            | ±.015   |                       |           |                   |                        |     |      |            |     |       |            |      |       |           |      |      |               |  |  |  |          |      |       |     |  |  |            |      |  |     |  |  |             |      |  |     |  |  |  |              |              |           |  |                |        |
| 1 PLACE ±  | 0.38            | ±---  |                       |           |                   |                        |     |      |            |     |       |            |      |       |           |      |      |               |  |  |  |          |      |       |     |  |  |            |      |  |     |  |  |             |      |  |     |  |  |  |              |              |           |  |                |        |
| ANGULAR ±1/2°  |                 |   |                       |           |                   |                        |     |      |            |     |       |            |      |       |           |      |      |               |  |  |  |          |      |       |     |  |  |            |      |  |     |  |  |             |      |  |     |  |  |  |              |              |           |  |                |        |
| DRAWN BY   | DATE            | TITLE   |                       |           |                   |                        |     |      |            |     |       |            |      |       |           |      |      |               |  |  |  |          |      |       |     |  |  |            |      |  |     |  |  |             |      |  |     |  |  |  |              |              |           |  |                |        |
| GEP  |                 | VERTICAL HEADER ASSEMBLY MINI-FIT HCS SERIES  |                       |           |                   |                        |     |      |            |     |       |            |      |       |           |      |      |               |  |  |  |          |      |       |     |  |  |            |      |  |     |  |  |             |      |  |     |  |  |  |              |              |           |  |                |        |
| CHECKED BY   | DATE            |   |                       |           |                   |                        |     |      |            |     |       |            |      |       |           |      |      |               |  |  |  |          |      |       |     |  |  |            |      |  |     |  |  |             |      |  |     |  |  |  |              |              |           |  |                |        |
| RJF  |                 |   |                       |           |                   |                        |     |      |            |     |       |            |      |       |           |      |      |               |  |  |  |          |      |       |     |  |  |            |      |  |     |  |  |             |      |  |     |  |  |  |              |              |           |  |                |        |
| APPROVED BY  | DATE            |   |                       |           |                   |                        |     |      |            |     |       |            |      |       |           |      |      |               |  |  |  |          |      |       |     |  |  |            |      |  |     |  |  |             |      |  |     |  |  |  |              |              |           |  |                |        |
| RJF  |                 |   |                       |           |                   |                        |     |      |            |     |       |            |      |       |           |      |      |               |  |  |  |          |      |       |     |  |  |            |      |  |     |  |  |             |      |  |     |  |  |  |              |              |           |  |                |        |
| MATERIAL NO.   | DOCUMENT NO.    | SHEET NO.   |                       |           |                   |                        |     |      |            |     |       |            |      |       |           |      |      |               |  |  |  |          |      |       |     |  |  |            |      |  |     |  |  |             |      |  |     |  |  |  |              |              |           |  |                |        |
|  | SDA-44474-****  | 1 OF 6  |                       |           |                   |                        |     |      |            |     |       |            |      |       |           |      |      |               |  |  |  |          |      |       |     |  |  |            |      |  |     |  |  |             |      |  |     |  |  |  |              |              |           |  |                |        |
| DRAFT WHERE APPLICABLE MUST REMAIN WITHIN DIMENSIONS   |                 | SEE CHARTS  | MOLEX INCORPORATED    |           |                   |                        |     |      |            |     |       |            |      |       |           |      |      |               |  |  |  |          |      |       |     |  |  |            |      |  |     |  |  |             |      |  |     |  |  |  |              |              |           |  |                |        |
| THIS DRAWING CONTAINS INFORMATION THAT IS PROPRIETARY TO MOLEX INCORPORATED AND SHOULD NOT BE USED WITHOUT WRITTEN PERMISSION                    |                 |   |                       |           |                   |                        |     |      |            |     |       |            |      |       |           |      |      |               |  |  |  |          |      |       |     |  |  |            |      |  |     |  |  |             |      |  |     |  |  |  |              |              |           |  |                |        |

**NOTES:**

- 1) HOUSING MAT'L. & OPTIONS:  
 1 = NYLON 6/6, U.L. 94V-2, COLOR: NATURAL, WITHOUT DRAIN HOLES.  
 2 = NYLON 6/6, U.L. 94V-0, COLOR: NATURAL, WITHOUT DRAIN HOLES.  
 3 = NYLON 6/6, U.L. 94V-2, COLOR: NATURAL, WITH DRAIN HOLES.  
 4 = NYLON 6/6, U.L. 94V-0, COLOR: NATURAL, WITH DRAIN HOLES.
- 2) TERMINAL MAT'L.: C197 ALLOY.
- 3) 6-24 CKT. PARTS MATE WITH MINI-FIT JR. RECEPT.\*5557, H.C.S. VERT. HEADER #44475 AND B.M.I. HEADER #42474. 2 & 4 CKT. PARTS MATE WITH HEADERS ONLY.
- 4) PART ALLOWS FOR UP TO .100/(2.54) MISALIGNMENT WITH MATING RECEPTACLE IN ANY DIRECTION. SEE MATING CONNECTOR DRAWINGS FOR SPECIFIC ALLOWANCES.
- 5) PART IS DESIGNED IN METRIC.
- 6) TERMINAL PLATING:  
 \*1 = POSTPLATE .000100/(.00254) MIN. BRIGHT TIN OVER .000050/(.00127) MIN. NICKEL.  
 2 = POSTPLATE .000100/(.00254) MIN. BRIGHT TIN OVER .000050/(.00127) MIN. NICKEL.  
 \*THE PRIMARY SHIPPING CARTON WILL BE LABELED \*COMPLIANT TO ROHS DIRECTIVE 2002/95/EC AND ELV ANNEX II OF DIRECTIVE 2002/53/EC\*. CARTONS WITHOUT THIS LABEL MAY CONTAIN PRODUCT WITH TIN-LEAD PLATING.
- 7) PRODUCT SPECIFICATION AND PROCESSING PARAMETERS: SEE PS-44476-001.
- 8) CONNECTOR ASSEMBLIES ARE NOT TO BE MATED OR UNMATED WHILE CIRCUITS ARE LIVE.
- 9) ITEM NUMBERS PRECEDED BY AN "X" IN THE CHARTS ON THE FOLLOWING SHEETS ARE NOT AVAILABLE.
- 10) OPTIONAL RIBS MAY BE FOUND ON PARTS MANUFACTURED AFTER 08/11/97.
- 11) PARTS MANUFACTURED AFTER 8/15/97 MAY HAVE REVISED LOCK PEG.
- 12) CIRCUITS SHOWN PROVIDE CUSTOM MATE-FIRST/BREAK-LAST FEATURE. SEE CHART ON SHEET SIX FOR ASSEMBLIES WITH ADDITIONAL CUSTOM OPTIONS.
- 13) PACKAGING:  
 1 = TRAY PER PK-42440-001.  
 2 = TUBE PER PK-40873-015L.
- 14) PARTS PRODUCED AFTER JULY 1, 2004 WILL HAVE "HCS" MARKING INSTEAD OF BLACK STRIPE.

|  |                      |                                       |             |                       |                    |                          |                   |                        |  |  |
|--|----------------------|---------------------------------------|-------------|-----------------------|--------------------|--------------------------|-------------------|------------------------|--|--|
| SEE SHEET 1<br>EC NO: UCP2005-1986<br>DRAWN: JSCHAFFER 2005/03/17<br>CHKD: 2005/03/21<br>APPR: YMARGULLI 2005/03/22<br>REV DESCRIPTION | QUALITY SYMBOLS      | GENERAL TOLERANCES (UNLESS SPECIFIED) |             | DIMENSION STYLE IN/MM |                    | SCALE 1:1                | DESIGN UNITS INCH | THIRD ANGLE PROJECTION |  |  |
|  |                      | mm                                    | INCH        | DRAWN BY              | DATE               | TITLE                    |                   |                        |  |  |
|  |                      | 4 PLACES ± --- ± ---                  | ± --- ± --- | GEP                   |                    | VERTICAL HEADER ASSEMBLY |                   |                        |  |  |
|  |                      | 3 PLACES ± --- ± ---                  | ± --- ± --- | CHECKED BY            | DATE               | MINI-FIT HCS SERIES      |                   |                        |  |  |
|  | 2 PLACES ± --- ± --- | ± --- ± ---                           | RJF         |                       | MOLEX INCORPORATED |                          |                   |                        |  |  |
|  | 1 PLACE ± --- ± ---  | ± --- ± ---                           | APPROVED BY | DATE                  |                    |                          |                   |                        |  |  |
|  | ANGULAR ±1/2°        |                                       | RJF         |                       | MATERIAL NO.       | DOCUMENT NO.             | SHEET NO.         |                        |  |  |
| DRAFT WHERE APPLICABLE MUST REMAIN WITHIN DIMENSIONS   |                      | SEE CHART                             |             | SDA-44474-****        |                    | 3 OF 6                   |                   |                        |  |  |
| SIZE C THIS DRAWING CONTAINS INFORMATION THAT IS PROPRIETARY TO MOLEX INCORPORATED AND SHOULD NOT BE USED WITHOUT WRITTEN PERMISSION   |                      |                                       |             |                       |                    |                          |                   |                        |  |  |

|   | 13                            | 12                            | 11                            | 10                            | 9                             | 8                             | 7                             | 6                             | 5                             | 4                             | 3                             | 2                             | 1          |      |
|---|-------------------------------|-------------------------------|-------------------------------|-------------------------------|-------------------------------|-------------------------------|-------------------------------|-------------------------------|-------------------------------|-------------------------------|-------------------------------|-------------------------------|------------|------|
| J | PLATING: I (SEE NOTE 6)       | PLATING: I (SEE NOTE 6)       | PLATING: I (SEE NOTE 6)       | PLATING: I (SEE NOTE 6)       | PLATING: I (SEE NOTE 6)       | PLATING: I (SEE NOTE 6)       | PLATING: I (SEE NOTE 6)       | PLATING: I (SEE NOTE 6)       | PLATING: I (SEE NOTE 6)       | PLATING: I (SEE NOTE 6)       | PLATING: I (SEE NOTE 6)       | PLATING: I (SEE NOTE 6)       |            |      |
|   | DRAINS: WITHOUT DRAIN HOLES   | DRAINS: WITHOUT DRAIN HOLES   | DRAINS: WITHOUT DRAIN HOLES   | DRAINS: WITHOUT DRAIN HOLES   | DRAINS: WITH DRAIN HOLES      | DRAINS: WITH DRAIN HOLES      | DRAINS: WITH DRAIN HOLES      | DRAINS: WITH DRAIN HOLES      | DRAINS: WITHOUT DRAIN HOLES   | DRAINS: WITHOUT DRAIN HOLES   | DRAINS: WITHOUT DRAIN HOLES   | DRAINS: WITHOUT DRAIN HOLES   |            |      |
|   | PEGS: WITH PEGS               | PEGS: WITH PEGS               | PEGS: WITH PEGS               | PEGS: WITH PEGS               | PEGS: WITH PEGS               | PEGS: WITH PEGS               | PEGS: WITH PEGS               | PEGS: WITH PEGS               | PEGS: WITH PEGS               | PEGS: WITH PEGS               | PEGS: WITH PEGS               | PEGS: WITH PEGS               |            |      |
|   | MAT'L: 94V-2 [NATURAL]        | MAT'L: 94V-0 [NATURAL]        | MAT'L: 94V-2 [NATURAL]        | MAT'L: 94V-0 [NATURAL]        | MAT'L: 94V-2 [NATURAL]        | MAT'L: 94V-0 [NATURAL]        | MAT'L: 94V-2 [NATURAL]        | MAT'L: 94V-0 [NATURAL]        | MAT'L: 94V-2 [NATURAL]        | MAT'L: 94V-0 [NATURAL]        | MAT'L: 94V-2 [NATURAL]        | MAT'L: 94V-0 [NATURAL]        |            |      |
|   | PACKAGING: TRAY (SEE NOTE 13) | PACKAGING: TRAY (SEE NOTE 13) | PACKAGING: TRAY (SEE NOTE 13) | PACKAGING: TRAY (SEE NOTE 13) | PACKAGING: TRAY (SEE NOTE 13) | PACKAGING: TRAY (SEE NOTE 13) | PACKAGING: TRAY (SEE NOTE 13) | PACKAGING: TRAY (SEE NOTE 13) | PACKAGING: TUBE (SEE NOTE 13) | PACKAGING: TUBE (SEE NOTE 13) | PACKAGING: TUBE (SEE NOTE 13) | PACKAGING: TUBE (SEE NOTE 13) |            |      |
| I | ITEM NO.                      | CKTS                          | ITEM NO.                      | CKTS                          | ITEM NO.                      | CKTS                          | ITEM NO.                      | CKTS                          | ITEM NO.                      | CKTS                          | ITEM NO.                      | CKTS                          | ITEM NO.   | CKTS |
|   | X 44474-0211                  | 2                             | X 44474-0221                  | 2                             | X 44474-0231                  | 2                             | X 44474-0241                  | 2                             | X -                           | 2                             | X -                           | 2                             | X -        | 2    |
|   | 44474-0411                    | 4                             | 44474-0421                    | 4                             | 44474-0431                    | 4                             | 44474-0441                    | 4                             | 44474-3001                    | 4                             | 44474-3013                    | 4                             | 44474-3013 | 4    |
|   | X 44474-0611                  | 6                             | X 44474-0621                  | 6                             | X 44474-0631                  | 6                             | X 44474-0641                  | 6                             | X -                           | 6                             | X -                           | 6                             | X -        | 6    |
|   | X 44474-0811                  | 8                             | X 44474-0821                  | 8                             | X 44474-0831                  | 8                             | X 44474-0841                  | 8                             | X -                           | 8                             | X -                           | 8                             | X -        | 8    |
|   | 44474-1011                    | 10                            | 44474-1021                    | 10                            | 44474-1031                    | 10                            | 44474-1041                    | 10                            | 44474-3004                    | 10                            | 44474-3016                    | 10                            | 44474-3016 | 10   |
|   | X 44474-1211                  | 12                            | X 44474-1221                  | 12                            | X 44474-1231                  | 12                            | X 44474-1241                  | 12                            | X -                           | 12                            | X -                           | 12                            | X -        | 12   |
|   | 44474-1411                    | 14                            | 44474-1421                    | 14                            | 44474-1431                    | 14                            | 44474-1441                    | 14                            | 44474-3006                    | 14                            | 44474-3018                    | 14                            | 44474-3018 | 14   |
|   | X 44474-1611                  | 16                            | X 44474-1621                  | 16                            | X 44474-1631                  | 16                            | X 44474-1641                  | 16                            | X -                           | 16                            | X -                           | 16                            | X -        | 16   |
|   | 44474-1811                    | 18                            | 44474-1821                    | 18                            | 44474-1831                    | 18                            | 44474-1841                    | 18                            | 44474-3008                    | 18                            | 44474-3020                    | 18                            | 44474-3020 | 18   |
|   | X 44474-2011                  | 20                            | X 44474-2021                  | 20                            | X 44474-2031                  | 20                            | X 44474-2041                  | 20                            | X -                           | 20                            | X -                           | 20                            | X -        | 20   |
|   | X 44474-2211                  | 22                            | X 44474-2221                  | 22                            | X 44474-2231                  | 22                            | X 44474-2241                  | 22                            | X -                           | 22                            | X -                           | 22                            | X -        | 22   |
|   | 44474-2411                    | 24                            | 44474-2421                    | 24                            | 44474-2431                    | 24                            | 44474-2441                    | 24                            | 44474-3011                    | 24                            | 44474-3023                    | 24                            | 44474-3023 | 24   |

|   |                               |                               |            |            |            |            |          |      |          |      |          |      |
|---|-------------------------------|-------------------------------|------------|------------|------------|------------|----------|------|----------|------|----------|------|
| G | PLATING: I (SEE NOTE 6)       | PLATING: I (SEE NOTE 6)       | PLATING:   | PLATING:   | PLATING:   | PLATING:   |          |      |          |      |          |      |
|   | DRAINS: WITH DRAIN HOLES      | DRAINS: WITH DRAIN HOLES      | DRAINS:    | DRAINS:    | DRAINS:    | DRAINS:    |          |      |          |      |          |      |
|   | PEGS: WITH PEGS               | PEGS: WITH PEGS               | PEGS:      | PEGS:      | PEGS:      | PEGS:      |          |      |          |      |          |      |
|   | MAT'L: 94V-2 [NATURAL]        | MAT'L: 94V-0 [NATURAL]        | MAT'L:     | MAT'L:     | MAT'L:     | MAT'L:     |          |      |          |      |          |      |
|   | PACKAGING: TUBE (SEE NOTE 13) | PACKAGING: TUBE (SEE NOTE 13) | PACKAGING: | PACKAGING: | PACKAGING: | PACKAGING: |          |      |          |      |          |      |
| F | ITEM NO.                      | CKTS                          | ITEM NO.   | CKTS       | ITEM NO.   | CKTS       | ITEM NO. | CKTS | ITEM NO. | CKTS | ITEM NO. | CKTS |
|   | X -                           | 2                             | X -        | 2          | -          | 2          | -        | 2    | -        | 2    | -        | 2    |
|   | 44474-3025                    | 4                             | 44474-3037 | 4          | -          | 4          | -        | 4    | -        | 4    | -        | 4    |
|   | X -                           | 6                             | X -        | 6          | -          | 6          | -        | 6    | -        | 6    | -        | 6    |
|   | X -                           | 8                             | X -        | 8          | -          | 8          | -        | 8    | -        | 8    | -        | 8    |
|   | 44474-3028                    | 10                            | 44474-3040 | 10         | -          | 10         | -        | 10   | -        | 10   | -        | 10   |
|   | X -                           | 12                            | X -        | 12         | -          | 12         | -        | 12   | -        | 12   | -        | 12   |
|   | 44474-3030                    | 14                            | 44474-3042 | 14         | -          | 14         | -        | 14   | -        | 14   | -        | 14   |
|   | X -                           | 16                            | X -        | 16         | -          | 16         | -        | 16   | -        | 16   | -        | 16   |
|   | 44474-3032                    | 18                            | 44474-3044 | 18         | -          | 18         | -        | 18   | -        | 18   | -        | 18   |
|   | X -                           | 20                            | X -        | 20         | -          | 20         | -        | 20   | -        | 20   | -        | 20   |
|   | X -                           | 22                            | X -        | 22         | -          | 22         | -        | 22   | -        | 22   | -        | 22   |
|   | 44474-3035                    | 24                            | 44474-3047 | 24         | -          | 24         | -        | 24   | -        | 24   | -        | 24   |

\* ITEMS PRECEDED BY "X" ARE NOT AVAILABLE  
 ITEMS ON THIS PAGE ARE STANDARD PRODUCT. REFER TO  
 SHEET SIX FOR PRODUCT WITH CUSTOM OPTIONS.

|   |  |   |                 |              |              |   |  |
|---|--|---|-----------------|--------------|--------------|---|--|
| SEE SHEET 1<br>EC NO: UCP2005-1986<br>DRWN: JSCHAER 2005/03/17<br>CHKD: 2005/03/21<br>APPR: YMARGULLI 2005/03/22<br>REV DESCRIPTION | QUALITY SYMBOLS  | GENERAL TOLERANCES (UNLESS SPECIFIED)   | DIMENSION STYLE | SCALE        | DESIGN UNITS | THIRD ANGLE PROJECTION  |  |
|   |  | mm      INCH<br>4 PLACES ± --- ± ---<br>3 PLACES ± --- ± ---<br>2 PLACES ± --- ± ---<br>1 PLACE ± --- ± ---<br>ANGULAR ±1/2°                  | IN/MM           | 1:1          | INCH         |   |  |
|   | DRAWN BY      DATE<br>ERH<br>CHECKED BY      DATE<br>MB<br>APPROVED BY      DATE<br>RE | TITLE   | MATERIAL NO.    | DOCUMENT NO. | SHEET NO.    | VERTICAL HEADER ASSEMBLY<br>MINI-FIT HCE SERIES<br>MOLEX INCORPORATED |  |
|   | DRAFT WHERE APPLICABLE<br>MUST REMAIN<br>WITHIN DIMENSIONS                             | SEE CHART<br>THIS DRAWING CONTAINS INFORMATION THAT IS PROPRIETARY TO MOLEX<br>INCORPORATED AND SHOULD NOT BE USED WITHOUT WRITTEN PERMISSION | SDA-44474-****  | 4 OF 6       |              |   |  |