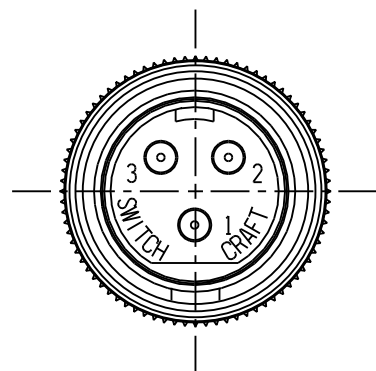
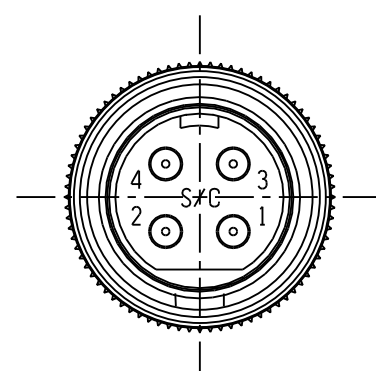


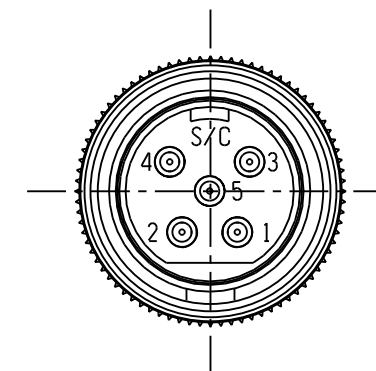
SL412MX
2 PIN



SL413MX
3 PIN

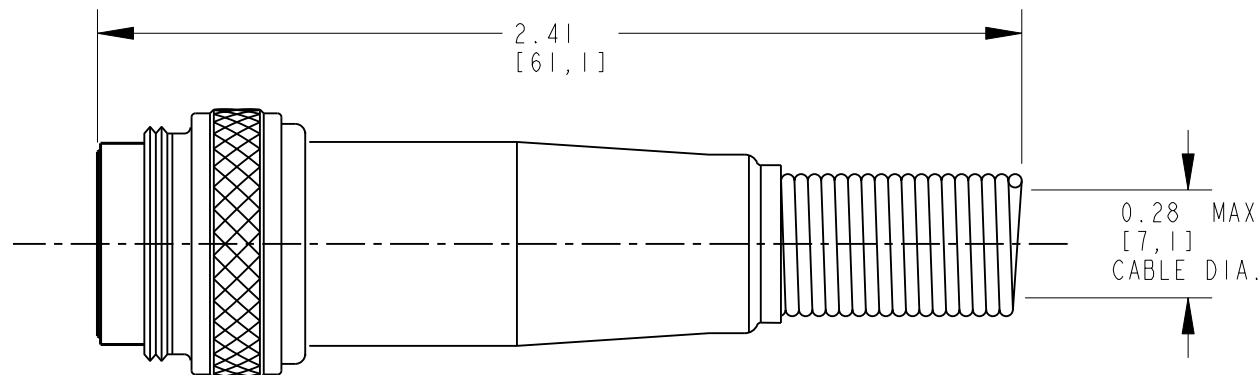
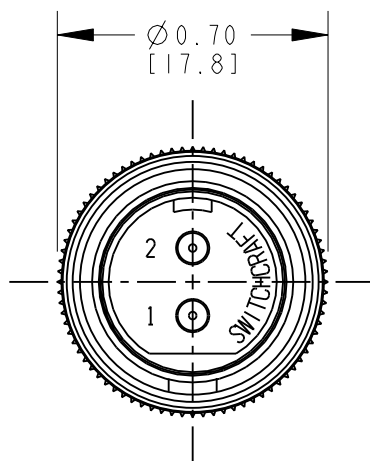
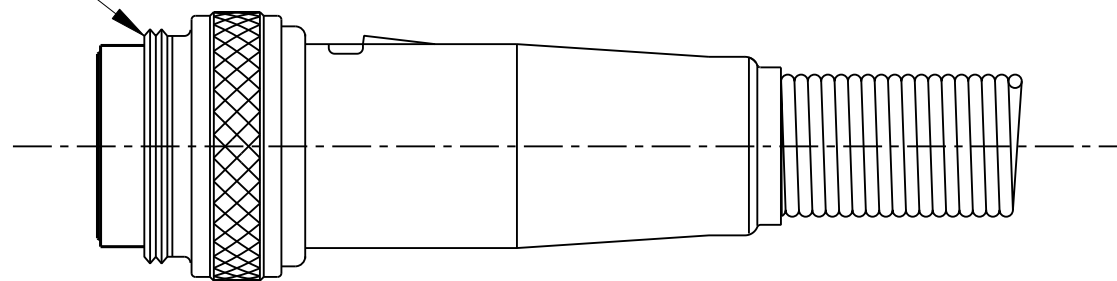


SL414MX
4 PIN



SL415MX
5 PIN

5/8-27 UNS-2A THREAD



CUSTOMER DRAWING

NOTES:

- MATERIALS:
HOUSING - COPPER ALLOY, NICKEL PLATED
INSERT - GLASS REINFORCED THERMOPLASTIC, BLACK
LATCH - STEEL, NICKEL PLATED
CONTACTS - COPPER ALLOY, SILVER PLATED
CABLE CLAMP - STEEL, TIN PLATED
FLEX RELIEF SPRING - STEEL MUSIC WIRE, NICKEL PLATED
- PIN AND BASE ASSEMBLY WITH LATCH, HOUSING AND SPRING ASSEMBLY AND CABLE CLAMP SHIPPED UNASSEMBLED.
- THESE PRODUCTS ARE RoHS COMPLIANT.

REV	ECO NUMBER	DATE	BY	APVD
C	27214	10-28-13	TO	TJK
B	27066	12-12-12	TO	TJK
A	25294	2-21-06	TO	TJK

★ STAR SYMBOL DENOTES CRITICAL DIMENSION

UNLESS OTHERWISE SPECIFIED

- ALL DIMENSIONS IN INCHES
- TWO PLACE DECIMALS ±0.01
- THREE PLACE DECIMALS ±0.005
- ANGLES ±1°
- ALL DIA. CONCENTRIC WITHIN 0.005 T.I.R.
- FEATURES ON THE SAME CENTERLINE MUST BE ALIGNED WITHIN ±0.002
- REMOVE ALL BURRS

DO NOT SCALE DRAWING

THIS DRAWING DESCRIBES A DESIGN CONSIDERED PROPRIETARY IN NATURE, DEVELOPED AND MANUFACTURED BY SWITCHCRAFT INC. AND IS RELEASED ON A CONFIDENTIAL BASIS FOR IDENTIFICATION PURPOSES ONLY.

SIZE	WIDTH	MULT	LBS/M	TEMPER
FINISH		MATERIAL		
SPEC No.		SPEC No.		
FIRST USED ON		SCALE		
		2:1		
DATE DRAWN	BY	CHKD	APVD	
09-Feb-06	TJK	TJK 2-9-06	TJK 10-11-10	
NAME		PART No.		REV
SLIM-LINE MALE CORD PLUG CONNECTOR, RoHS		SL412MX-SL415MX		C

Switchcraft®

SHEET 1 OF 1