

THIS DRAWING IS THE PROPERTY OF ANALOG DEVICES INC. IT IS NOT TO BE REPRODUCED OR COPIED, IN WHOLE OR IN PART, OR USED IN FURNISHING INFORMATION TO OTHERS, OR FOR ANY OTHER PURPOSE DETRIMENTAL TO THE INTERESTS OF ANALOG DEVICES. THE EQUIPMENT SHOWN HEREON MAY BE PROTECTED BY PATENTS OWNED OR CONTROLLED BY ANALOG DEVICES.


RELAY CONTROL CHART

CONTROL	CODE	DEVICE	FUNCTION	CONNECTOR

JUMPER TABLE		
JP#	ON	OFF
1		
2		
3		
4		
5		

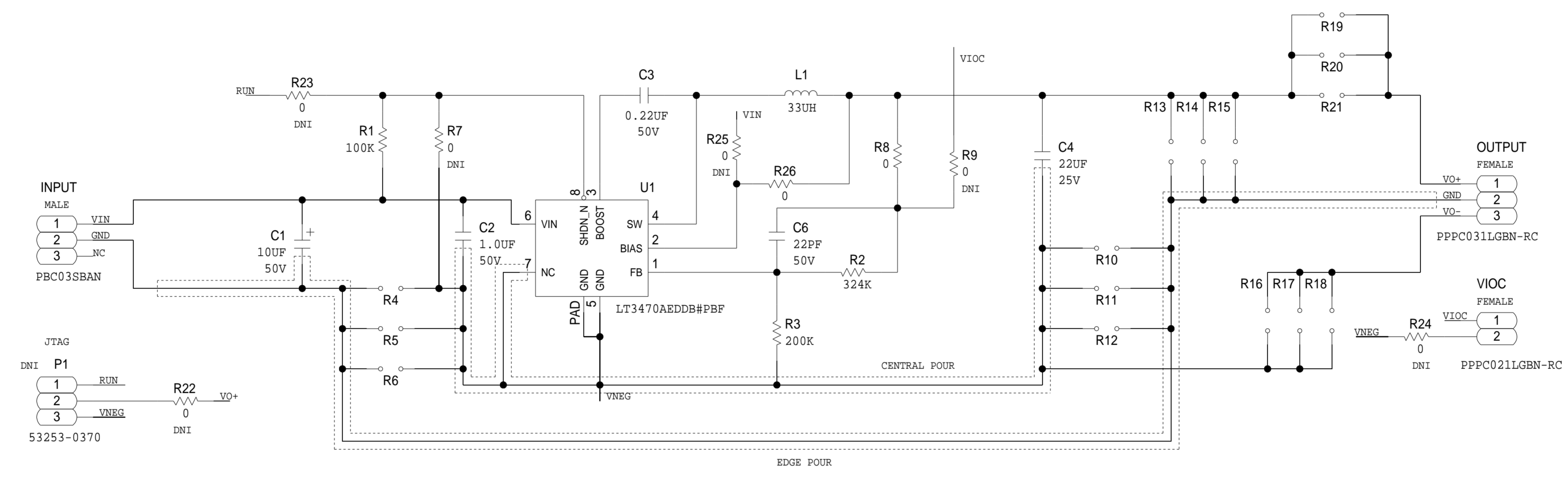
\* SEE ASSEMBLY INSTRUCTIONS

REVISIONS			
REV	DESCRIPTION	DATE	APPROVED
A	INITIAL RELEASE	24NOV18	J VIERNES
B	AS PER ECR-086388 AS PER ECR-088831, ECR-088898	11APR19 12JUN19	J VIERNES
C	AS PER ECR-090283	31OCT19	J VIERNES

<table border="1"> <tr><td>TEMPLATE ENGINEER</td><td>DATE</td></tr> <tr><td>-</td><td> </td></tr> <tr><td>HARDWARE SERVICES</td><td> </td></tr> <tr><td>-</td><td> </td></tr> <tr><td>HARDWARE SYSTEMS</td><td> </td></tr> <tr><td>-</td><td> </td></tr> <tr><td>TEST ENGINEER</td><td>24NOV18</td></tr> <tr><td>J VIERNES</td><td> </td></tr> <tr><td>COMPONENT ENGINEER</td><td>24NOV18</td></tr> <tr><td>A CAUILAN</td><td> </td></tr> <tr><td>TEST PROCESS</td><td> </td></tr> <tr><td>-</td><td> </td></tr> <tr><td>HARDWARE RELEASE</td><td> </td></tr> <tr><td>-</td><td> </td></tr> <tr><td>DESIGNER</td><td>07NOV18</td></tr> <tr><td>L EVANGELIO</td><td> </td></tr> <tr><td>PTD ENGINEER</td><td>24NOV18</td></tr> <tr><td>J VIERNES</td><td> </td></tr> <tr><td>CHECKER</td><td> </td></tr> <tr><td>-</td><td> </td></tr> </table>	TEMPLATE ENGINEER	DATE	-		HARDWARE SERVICES		-		HARDWARE SYSTEMS		-		TEST ENGINEER	24NOV18	J VIERNES		COMPONENT ENGINEER	24NOV18	A CAUILAN		TEST PROCESS		-		HARDWARE RELEASE		-		DESIGNER	07NOV18	L EVANGELIO		PTD ENGINEER	24NOV18	J VIERNES		CHECKER		-		<p style="text-align: center;"><b>SCHEMATIC</b></p> <p>HW TYPE : SCP EVAL-Z  Product(s): LT3470A  : LT3470A  PACKAGE : 8-lead 3X2X0.75 N/A-family  : Pitch-pitch StyleVendor Style</p> <p>&lt;User Define&gt;  &lt;User Define&gt;  &lt;User Define&gt;</p>	
TEMPLATE ENGINEER	DATE																																									
-																																										
HARDWARE SERVICES																																										
-																																										
HARDWARE SYSTEMS																																										
-																																										
TEST ENGINEER	24NOV18																																									
J VIERNES																																										
COMPONENT ENGINEER	24NOV18																																									
A CAUILAN																																										
TEST PROCESS																																										
-																																										
HARDWARE RELEASE																																										
-																																										
DESIGNER	07NOV18																																									
L EVANGELIO																																										
PTD ENGINEER	24NOV18																																									
J VIERNES																																										
CHECKER																																										
-																																										
<table border="1"> <tr><td>P.O SPEC.</td><td>BK/BD SPEC.</td><td>SOCKET OEM</td><td>OEM PART#</td><td>HANDLER</td></tr> <tr><td> </td><td> </td><td> </td><td> </td><td> </td></tr> </table>	P.O SPEC.	BK/BD SPEC.	SOCKET OEM	OEM PART#	HANDLER						<table border="1"> <tr> <td>MASTER PROJECT TEMPLATE</td> <td>TESTER TEMPLATE</td> <td rowspan="2">DRAWING NO.</td> <td rowspan="2">REV.</td> </tr> <tr> <td>TBD</td> <td>no_template</td> </tr> <tr> <td colspan="2">UNLESS OTHERWISE SPECIFIED DIMENSIONS ARE IN INCHES</td> <td rowspan="2">02_051162</td> <td rowspan="2">C</td> </tr> <tr> <td colspan="2">TOLERANCES</td> </tr> <tr> <td>DECIMALS</td> <td>FRACTIONS</td> <td>ANGLES</td> <td>SIZE</td> </tr> <tr> <td>X.XX +0.010</td> <td>+1/32</td> <td>+2</td> <td>D</td> </tr> <tr> <td>X.XXX +0.005</td> <td> </td> <td> </td> <td>1:1</td> </tr> </table>	MASTER PROJECT TEMPLATE	TESTER TEMPLATE	DRAWING NO.	REV.	TBD	no_template	UNLESS OTHERWISE SPECIFIED DIMENSIONS ARE IN INCHES		02_051162	C	TOLERANCES		DECIMALS	FRACTIONS	ANGLES	SIZE	X.XX +0.010	+1/32	+2	D	X.XXX +0.005			1:1	<table border="1"> <tr> <td>CODE ID NO.</td> <td>SHEET 1</td> <td>OF 2</td> </tr> <tr> <td>CodeID</td> <td> </td> <td> </td> </tr> </table>	CODE ID NO.	SHEET 1	OF 2	CodeID		
P.O SPEC.	BK/BD SPEC.	SOCKET OEM	OEM PART#	HANDLER																																						
MASTER PROJECT TEMPLATE	TESTER TEMPLATE	DRAWING NO.	REV.																																							
TBD	no_template																																									
UNLESS OTHERWISE SPECIFIED DIMENSIONS ARE IN INCHES		02_051162	C																																							
TOLERANCES																																										
DECIMALS	FRACTIONS	ANGLES	SIZE																																							
X.XX +0.010	+1/32	+2	D																																							
X.XXX +0.005			1:1																																							
CODE ID NO.	SHEET 1	OF 2																																								
CodeID																																										

REVISIONS			
REV	DESCRIPTION	DATE	APPROVED

### LT3470A INVERTING



	<b>SCHEMATIC</b>		
	HW TYPE : SCP EVAL-Z Product (s) : LT3470A : LT3470A		
	DESIGN VIEW <DESIGN_VIEW>	DRAWING NO. 02_051162	REV C
PTD ENGINEER J VIERNES	SIZE D	SCALE 1:1	SHEET 2 OF 2