

**ebm-papst St. Georgen GmbH & Co. KG**

Hermann-Papst-Str. 1

D-78112 St. Georgen

Phone +49 (0) 7724 81-0

Fax +49 (0) 7724 81-1309

info2@de.ebmpapst.com

www.ebmpapst.com

Nominal data

Type	RER 120-26/14/2 TDP	
Nominal voltage	VDC	24
Nominal voltage range	VDC	16 .. 32
Speed (rpm)	min ⁻¹	6100
Power consumption	W	78
Min. ambient temperature	°C	-20
Max. ambient temperature	°C	60
Air flow	m ³ /h	377
Sound power level	B	8.2

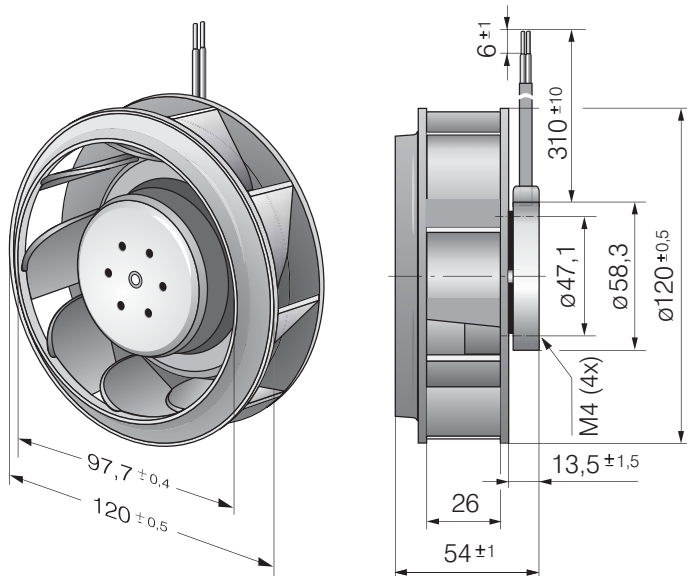
ml = Max. load · me = Max. efficiency · fa = Free air · cs = Customer specification · ce = Customer equipment
Subject to change



Technical description

General description	3-phase fan drive with very smooth operation and high efficiency Backward-curved impeller
Impeller material	Glass-fiber reinforced plastic
Weight	0.43 kg
Dimensions	Ø 120 x 54 mm
Airflow direction	Axial: intake radial: discharge
Direction of rotation	Clockwise, viewed toward rotor
Storage	Ball bearing
Service life L10 at 40 °C	55000 h
Service life L10 at maximum temperature	35000 h
Cable	With leads AWG 18, 20 or AWG 22, TR 64. Speed signal and control input AWG 22

Product drawing



Curves

