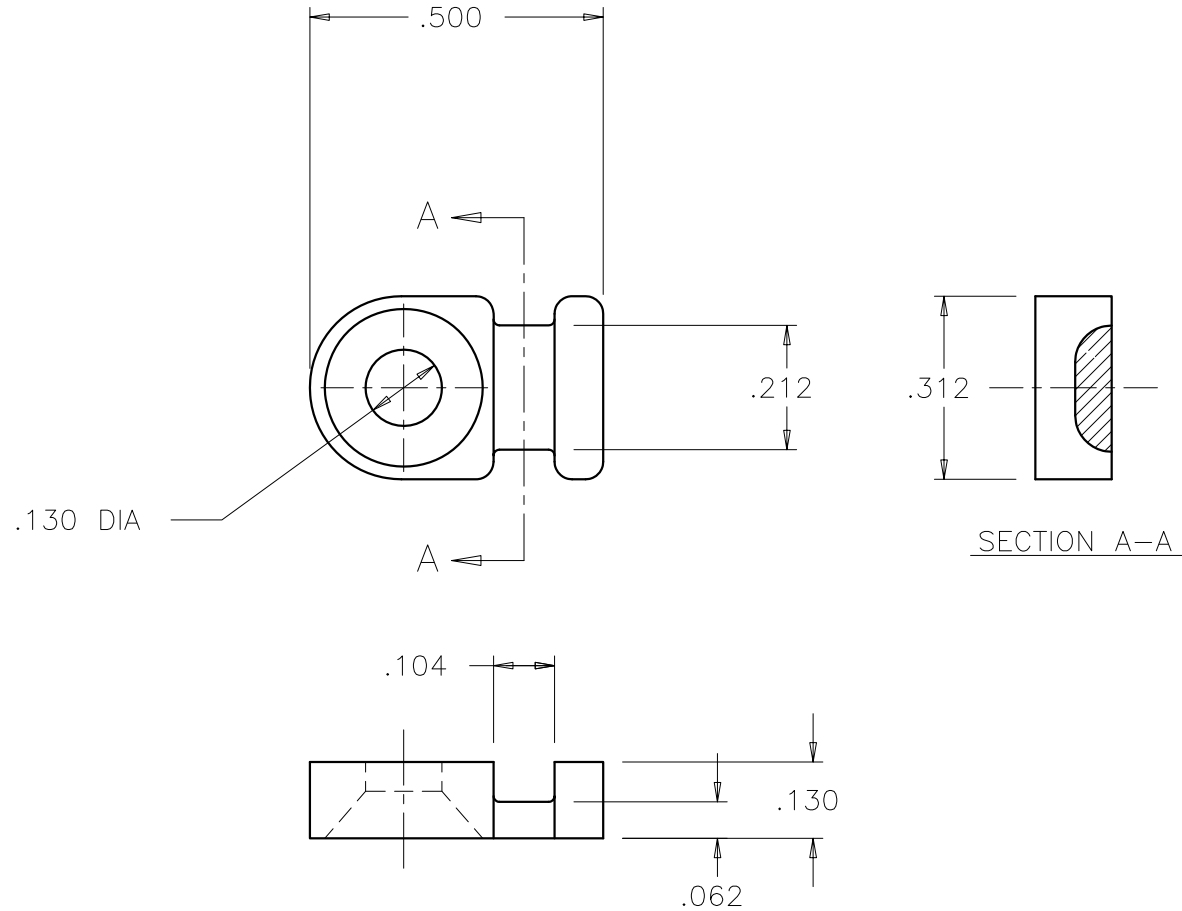


NOTES:

1. MB-1 TO BE USED WITH:
T-18 SERIES TIES
2. FASTENER: #4 SCREW



DRAWING

HellermanTyton

ALL PROPRIETARY RIGHTS IN THE SUBJECT MATTER SHOWN ON THIS DRAWING ARE EXCLUSIVE PROPERTY OF HELLERMANNITYTON

name	date	city, state

REVISION

level	date	by	ECN #	part level
01	02/04/13	AAC	012272	A

DIMENSIONS

.XXXX=	
.XXX= ±.005	
.XX=	
.X=	
∠= ±1°	
unless otherwise specified	
units	inches

PART

number	MB-1	phase	PRODUCTION
name	MB-1 TIE MOUNT		
material	PA66		

DRAWING

FORMAT	AH version	Q	CAD	ACAD	scale	3X
computer file number	MT/CST/2005001_00		previous number		MT\A2005001	
drawn	D. RETZLAFF	checked	K.A.C.	approved		
date	02/20/89	checked	02/04/13	approved		
type	CUSTOMER			sheet 1 of 1		
number	MT2005001CST					