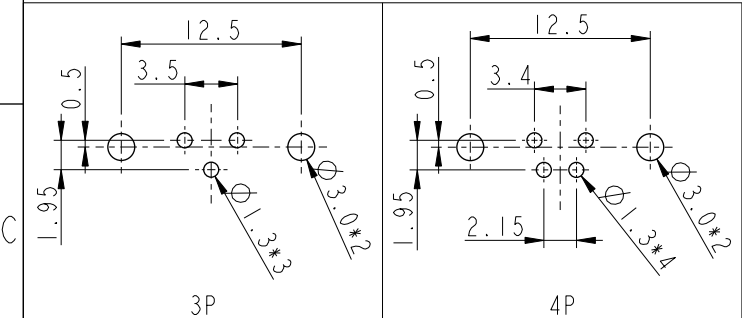
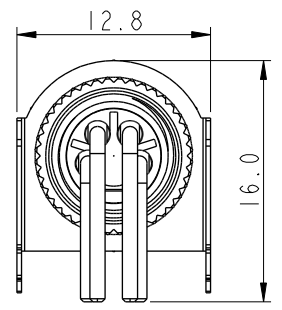
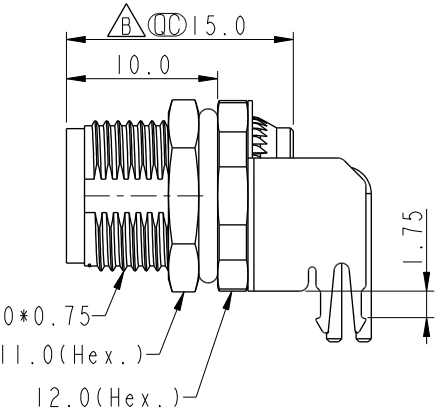
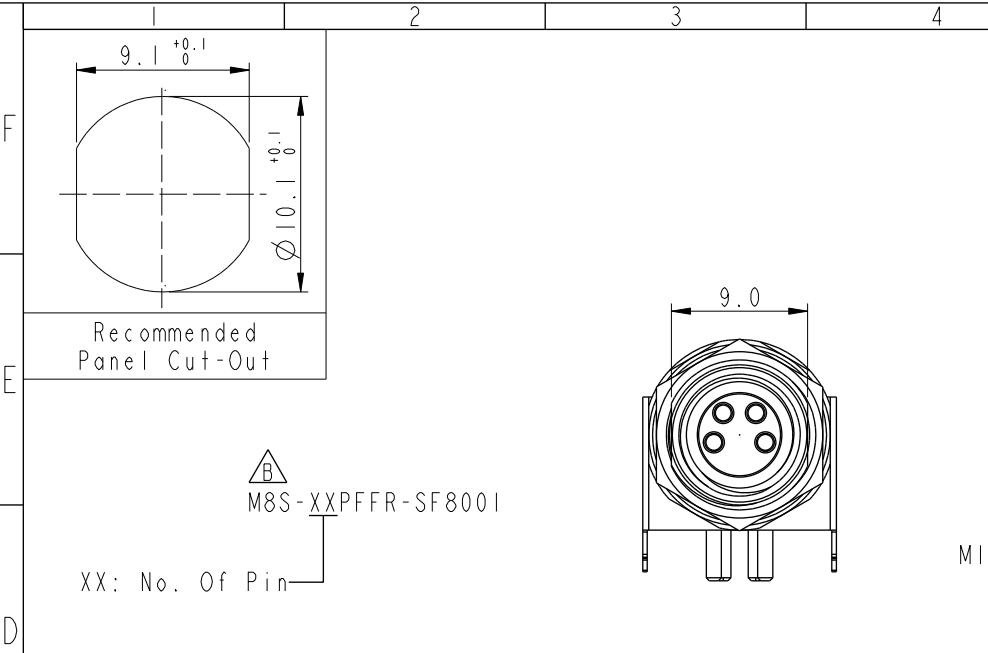
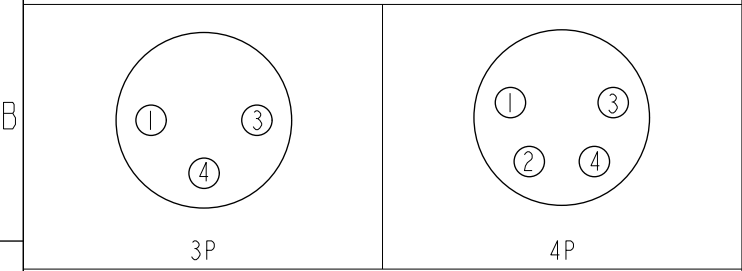


THIS DOCUMENT IS SUBJECT TO CHANGE WITHOUT NOTICE. IT IS CONFIDENTIAL AND A PROPERTY OF AMPHENOL LTW. DISCLOSURE TO THIRD PARTY HAS TO BE AUTHORIZED BY AMPHENOL LTW.

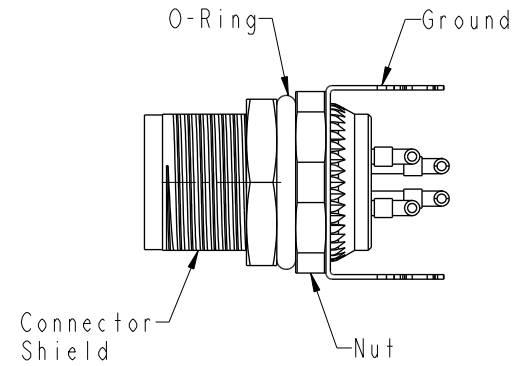
REV.	ECN NO.	DATE	SIGN	DESCRIPTION
B	C210686	2021/05/12	Vicky	△B X4



PCB Layout



Pin Assignments Front View



- △B Note:
- * RoHS Compliant
 - * Ⓞ Important dimension
 - * Waterproof rate: IPX8, unmated 1m/24h
 - * Connector
 - Housing: Thermoplastic, Black
 - Pin: Copper alloy, Gold plated
 - O-Ring: Rubber, Green
 - * Shield: Metal
 - * Ground: Metal
 - * Nut: Metal
 - * O-Ring: Rubber, Green
 - * For panel thickness: 2.0~4.5mm
 - * For pcb thickness max: 1.6mm
 - * Nut is packed separately in pe bag

UNIT: mm			TITLE	△B
TOLERANCE	.X ±0.25	.XX ±0.1	N SEN, M8-SHLD, SCREW RECEPTACLE, F, F, PCB R	
ANGLES	.XXX ±0.05	±1°	SCALE 2:1	SIZE A4
			REV. B	WC-REV. A.12
				Ⓞ: Inspection item

Amphenol LTW
安費諾亮泰企業股份有限公司

ITEM NO	DRAWN BY	DATE
	Yulong_wang	2016-01-20
DWG NO	CHECKED BY	DATE
M8S-XXPFFR-SF8001	Cary	2016-01-20
CUSTOMER	APPROVED BY	DATE
ALTW	Jerry	2016-01-20