

MKS-L DIES CONSTRUCTION SHEET

JST

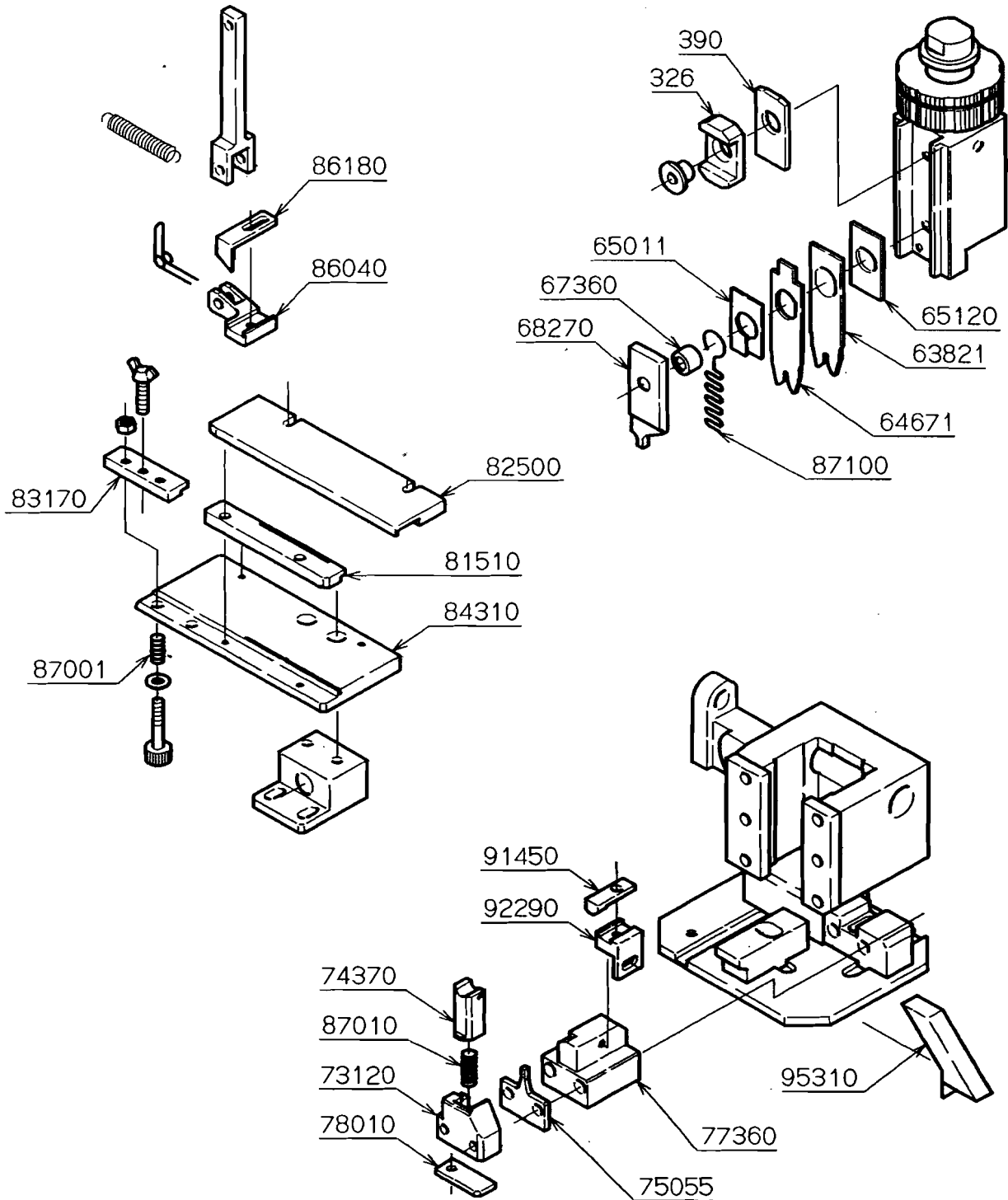
Terminal/Contact Model No.	SPH-002T-P0.5S	Die set Model No.	SPH-002-05S
		Applicator Model No.	MKS-L, MKS-LS
		Crimp shape (wire)	N-1.4
		Crimp shape (ins)	N-1.4
Clearance between Crimper (B) and Shear blade			0.1
Description	No.	Description	No.
Crimper (A)	63821	Crimper anvil (A)	75055
Crimper (B)	64671	Crimper anvil (B)	
Spacer (A)	65120		
Spacer (B)			
Spacer (C)	65011		
Punch	68270	Spacer	77360
Die holder	67360	Shear blade	74370
Spring	87100	Shear blade supporter	73120
Wire block	390	Shear blade base	78010
Insulation block	326	Shear blade spring	87010
		Feed finger	86180
		Feed finger holder	86040
Guide plate (L)	81510	Stripper	91450
Guide plate (R)	82500	Stripper bracket	92290
Feed plate	84310	Stripper pin	
Pressure plate	83170		
Pressure spring(2pcs)	87001	Scrap cover	95310
Wire and Crimp height		Remarks	
Wire		Crimp height (mm)	
Type	Size	Wire	Ins
UL1007	#30	0.52~0.57	1.5
UL1007	#28	0.55~0.60	1.5
UL1007	#26	0.57~0.62	1.6
UL1007	#24	0.62~0.67	1.7
Dies construction is the same as that for SPH-002-05L, though crimp heights are different.			
Prepared by		<i>K. Fujii</i>	Issue date
Checked by			Apr 16, 1996
			No. CP-MS133



Side-Feeding Applicator
MKS-L
Die Set Assembly

Applicable
terminal/
contact

SPH-002-05S
-05L
-001-05S



Date	Drawn by	(CP-MS133)
JUN 12. 98	Y. OKADA	(CP-MS132)