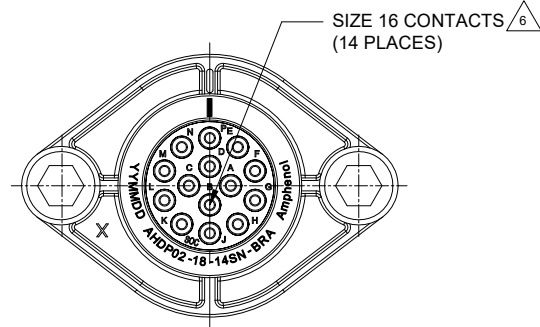
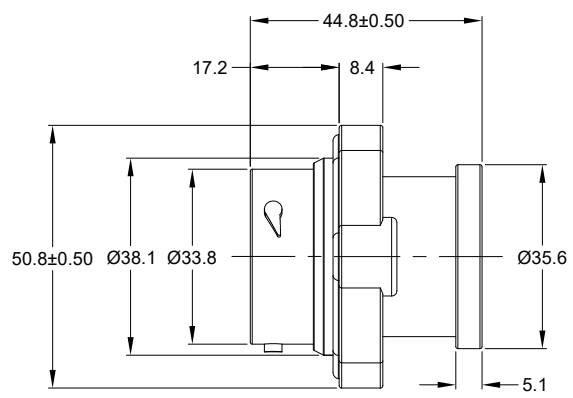
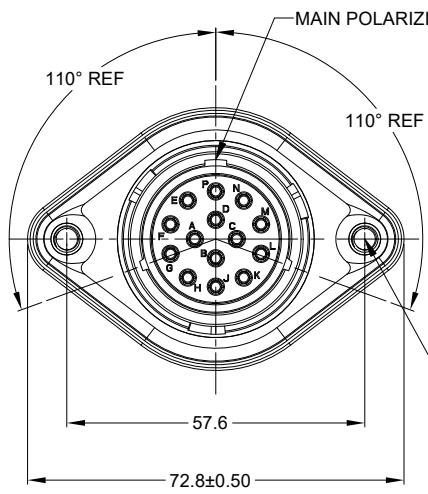


REVISIONS					
REV	ECO	DESCRIPTION	DATE	BY	APPR
A1	--	RELEASE NEW DRAWING	28MAR22	Vito	TOMMY



M5X0.8-6H 8mm(2X) DEEP THREADED INSERT  
RECOMMENDED TORQUE VALUES:1.9-2.2 N.m

NOTES: UNLESS OTHERWISE SPECIFIED

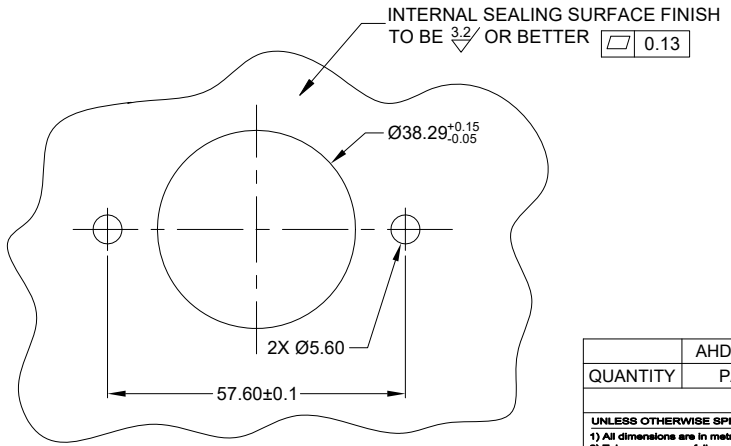
- MATERIAL:  
HOUSING: THERMOPLASTIC; BLACK  
SEAL: SILICONE RUBBER  
THREADED INSERT: STAINLESS STEEL
- MODIFICATIONS: BACKSHELL RING ADAPTER (BRA);  
STANDARD DIA. WIRE SEAL;  
SEALED PANEL MOUNT;
- SPECIFICATIONS:  
3.1 OPERATING TEMPERATURE: -55°C TO +125°C.  
3.2 DIELECTRIC WITHSTANDING VOLTAGE: LESS THAN 2 MILLIAMPS CURRENT LEAKAGE @ 1500 VOLTS AC.  
3.3 INSULATION RESISTANCE: 1000 MEGOHM MIN @ 25°C.  
3.4 MOISTURE RESISTANCE:  
IP68(IM OF WATER FOR A PERIOD OF 24 HOURS, MATED CONDITION);  
IP69K (MATED CONDITION)  
3.5 MATING CYCLE DURABILITY: 100 CYCLES  
3.6 RoHS COMPLIANT

4. MATING PART: AHDP06-18-14P\* (\* = SEAL TYPE)

5. ALL DIMENSIONS ARE FOR REFERENCE USE ONLY.

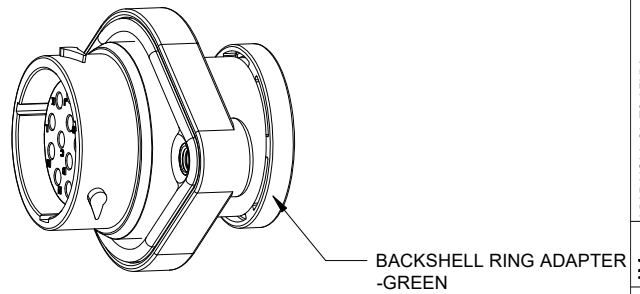
6 CONTACT SIZE AND WIRE RANGE:

CONTACT SIZE	MIN. INSUL O.D.	MAX. INSUL O.D.	TYPICAL WIRE RANGE	CURRENT RATING
16	2.54 mm (.100in)	3.40 mm (.134 in)	14-20 AWG (2.0-0.5mm <sup>2</sup> )	13 AMPS



RECOMMENDED PANEL MOUNTING HOLE

RECOMMENDED PANEL THICKNESS:1.6 TO 4.7MM



QUANTITY	AHDP02-18-14SN-BRA	DESCRIPTION	ITEM
	PART NUMBER		

MATERIALS LIST		
SIGNATURES	DATE	
DRAWN: VITOLI	28MAR22	
CHECKED: SULLENZHANG	28MAR22	
ENGINEER:		
APPROVAL: TOMMY XIE	30JUL20	

UNLESS OTHERWISE SPECIFIED		SIGNATURES DATE	
1) All dimensions are in metric(mm).		DRAWN: VITOLI 28MAR22	
2) Tolerances are as follows:		CHECKED: SULLENZHANG 28MAR22	
1 PL DEC ±0.30 Fractions ±1/64		ENGINEER:	
2 PL DEC ±0.15 Angles ±1°		APPROVAL: TOMMY XIE 30JUL20	
3) Note reference =		CUSTOMER:	
MATERIAL SPECIFICATIONS:		THIS DRAWING IS SUPPLIED FOR INFORMATION ONLY. DESIGN FEATURES, SPECIFICATIONS AND PERFORMANCE DATA SHOWN HEREON ARE THE PROPERTY OF THE AMPHENOL CORPORATION. NO RIGHTS OF REPRODUCTION ARE IMPLIED. ALL DIMENSIONS ARE SUBJECT TO NORMAL MANUFACTURING VARIATIONS.	
WEIGHT: 52.4g		SIZE TYPE DWG NO.	
PROCESS SPECIFICATIONS:		B C- AHDP02-18-14SN-BRA A1	
NEXT ASSY:		SCALE: NONE DURAMATE SHEET 1 OF 1	

TITLE: 14 POS. RECEPTACLE SOCKET PANELMATE AHDP SIZE 18, NORMAL SEAL, BRA  
DWG NO.: AHDP02-18-14SN-BRA  
REV: A1  
SH: 1  
OF: 1