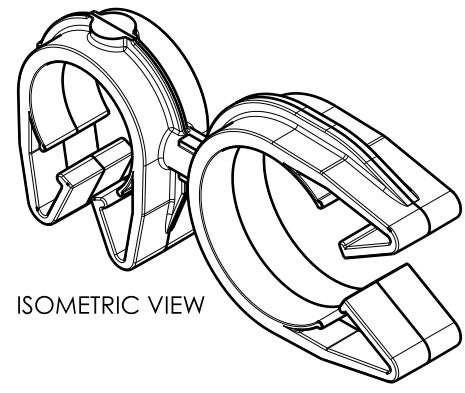
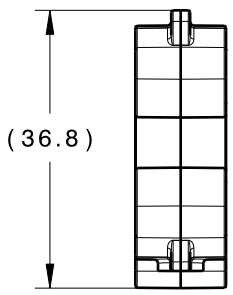
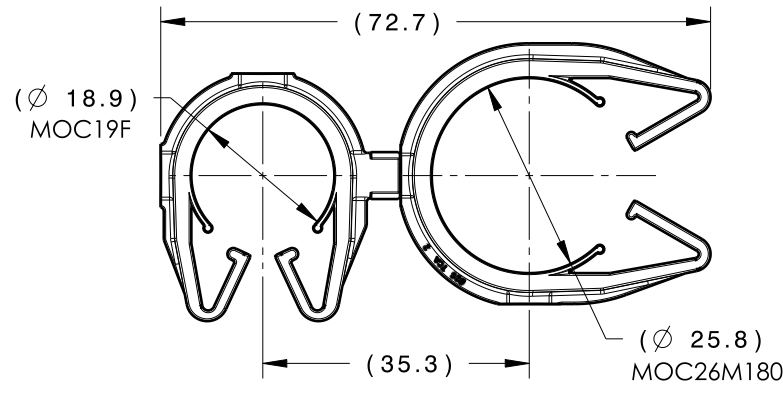
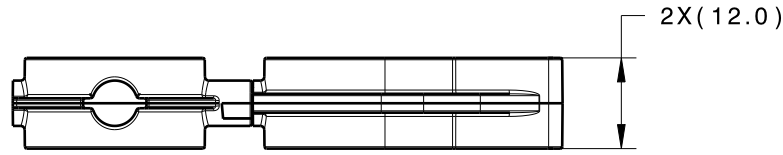
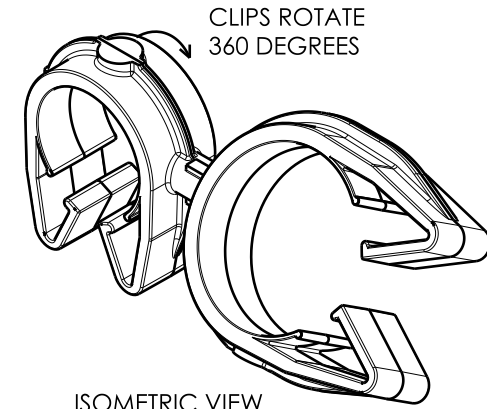


Revision Level			Revision Record	Changed	Date	Approved	Date
Drawing	State	Part					
00.1	Design Release	-	SEE ECN# 014774	TAT	12/3/2018	EJH	12/3/2018



ISOMETRIC VIEW



CLIPS ROTATE 360 DEGREES

ISOMETRIC VIEW ROTATED

TYPE	MOC19F	MOC26M180
HARNESS	17.0MM - 20.0MM	23.0MM - 28.5MM
HOSE	17.0MM - 20.0MM	23.0MM - 28.5MM
HARD PIPE/TUBE	19.0MM - 21.8MM	25.9MM - 29.0MM

*RECOMMENDED SIZES MAY DIFFER DEPENDING ON THE APPLICATION , PRODUCT REQUIREMENTS AND MATERIALS USED

**PATENT PENDING 29/582,271

GLOBAL PART DESCRIPTION	MOC19F**			MOC26M180**		
	DRAWING	MATERIAL	COLOR	DRAWING	MATERIAL	COLOR
MOC19FMOC26M180-PA66HIRHSUV-BK	16-0322-000-CSU	PA66HIRHSUV	BLACK	16-0325-000-CSU	PA66HIRHSUV	BLACK

Material SEE CHART COLOR: SEE CHART	Units	millimeters	The copyright of this drawing is reserved by HellermannTyton. It is issued on condition that it is not reproduced, copied or disclosed to a third party, either wholly or in part, without the consent of HellermannTyton.	Drawn	CJR	10/1/18	Article/Type-No MOC19FMOC26M180	Scale	1:1		
	Tolerance defined on each dimension	North America Email: corp@htamericas.com Web: www.hellermann.tyton.com		Approved	TAT	10/1/18		Title 19MM MOC COUPLED TO A 26MM MOC M180	Project Number	16-0330	
				HellermannTyton			Drawing-No		PRODUCTION : Phase	Format	AH
							16-0330-682-CSU				