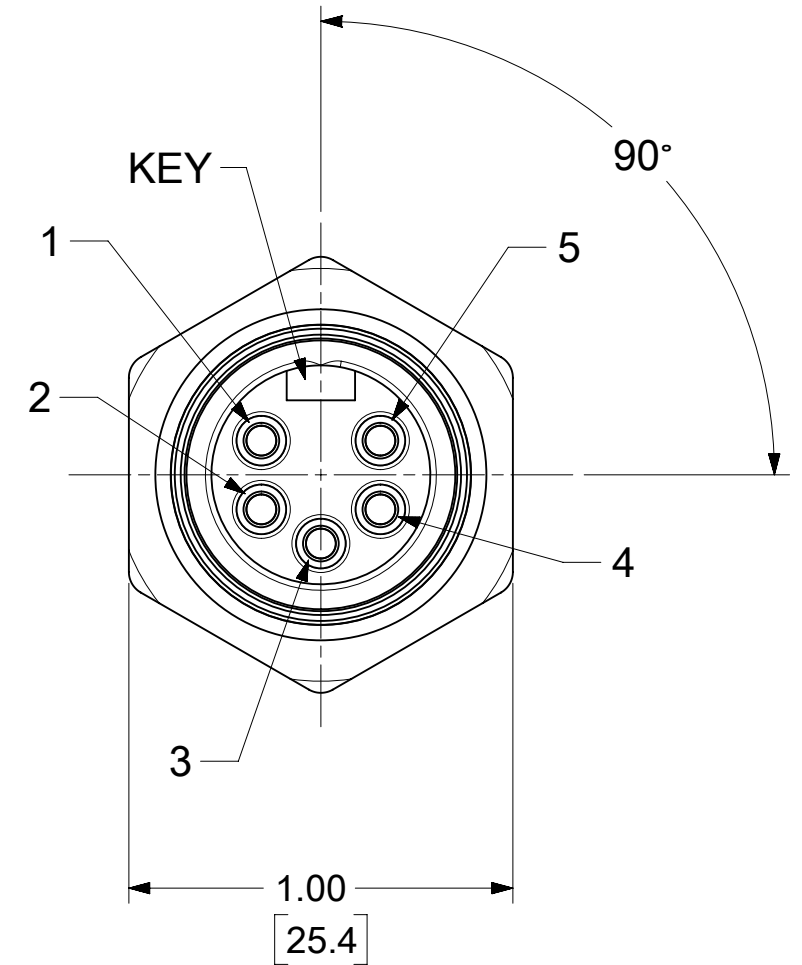
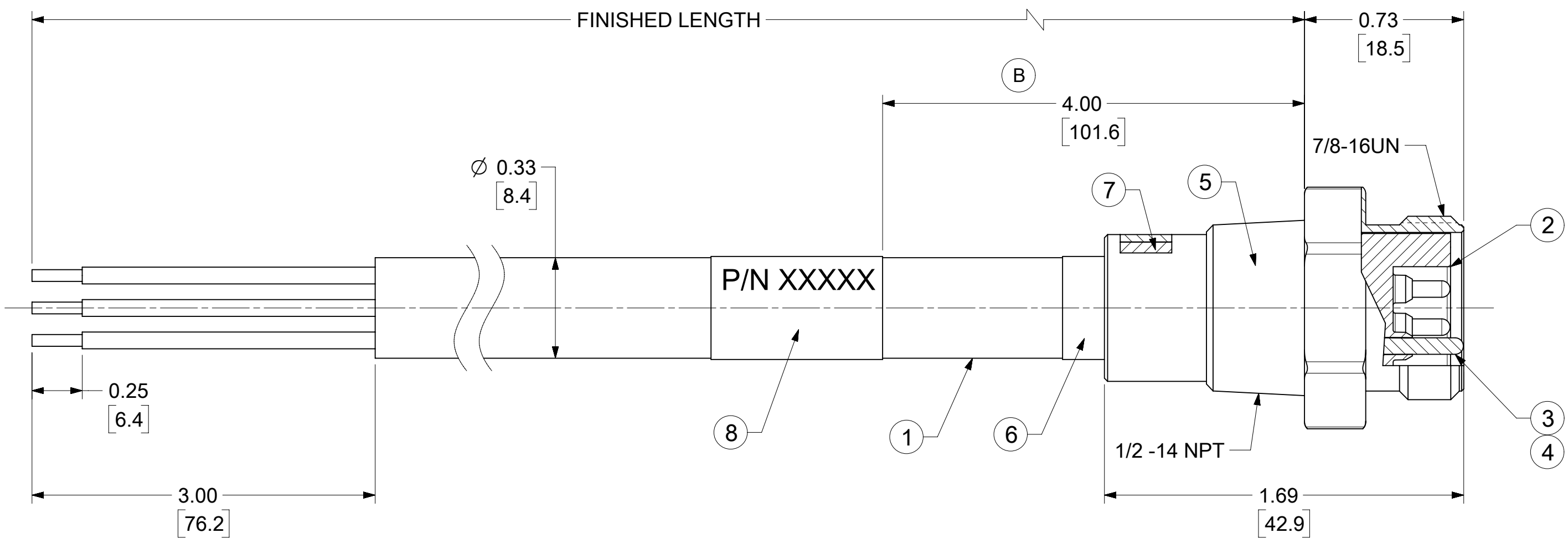
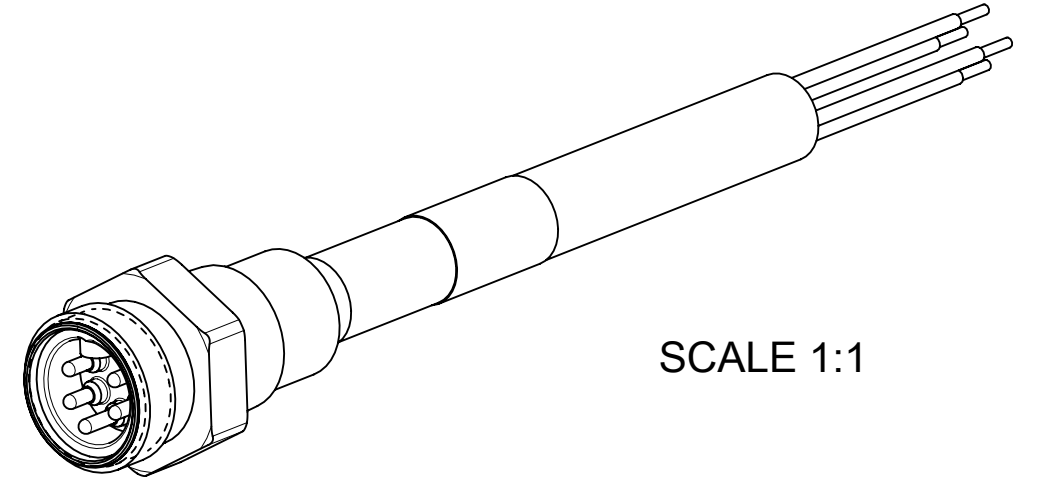


MATERIAL NO.	ENGINEERING NO.	FINISHED LENGTH
1300390317	DNB5100-M005	0.5 M (1 FT 7.69 IN)
1300390318	DNB5100-M010	1 M (3 FT 3.37 IN)

CABLE LENGTH TOLERANCES
<.3M [1FT]: +19mm-0 [+.75in-0]
.3 - .9M [1 - 3FT]: +44.5mm-0 [+1.75in-0]
.9 - 1.8M [3 - 6FT]: +55.6mm-0 [+2.19in-0]
1.8 - 3.7M [6 - 12FT]: +88.9mm-0 [+3.50in-0]
3.7 - 7.3M [12 - 24FT]: +165.1mm-0 [+6.50in-0]
7.3-14.6M [24 - 48FT]: +317.5mm-0 [+12.50in-0]
14.6 - 30.5M [48-100FT]: +622.3mm-0 [+24.50in-0]
OVER 30M [100FT] +2% OF FINISHED LENGTH



- NOTES:**
- MATERIAL: AS NOTED
 - FINISH: AS NOTED
 - ELECTRICAL:
VOLTAGE: 300V PER IEC60664
300V PER UL2238
CURRENT: 4A
 - TEMP RATING: -20°C TO +80°C
 - PROTECTION: IP67 (WHEN MATED)
 - UL LISTED FILE: E152210
CSA CERTIFIED FILE: LR6837
 - ALL DIMS ARE FOR REFERENCE UNLESS TOLERANCED OR NOTED OTHERWISE

WIRING DIAGRAM

P1

1	DRAIN
2	RED +V
3	BLACK -V
4	WHITE CAN H
5	BLUE CAN L

PART NUMBER LEGEND

DNB5100-M010

FINISHED LENGTH
M005= 0.5 M
M010= 1 M
M100= 10M

ITEM	DESCRIPTION	MATERIAL	FINISH
8	WRAP LABEL	VINYL	BLACK/YELLOW
7	POTTING MATERIAL	EPOXY	BLACK
6	HEAT SHRINK TUBING	POLYOLEFIN	BLACK
5	RECEPTACLE SHELL	ZINC DIE-CAST	NICKEL PLATE
4	PIN CONTACT 18AWG	Cu ALLOY	GOLD OVER NICKEL
3	PIN CONTACT 16AWG	Cu ALLOY	GOLD OVER NICKEL
2	MALE INSERT	TPE	BLACK
1	CABLE, DEV-NET, 16/20 AWG	PVC JACKET	GRAY
ITEM	DESCRIPTION	MATERIAL	FINISH

THIS DRAWING CONTAINS INFORMATION THAT IS PROPRIETARY TO MOLEX ELECTRONIC TECHNOLOGIES, LLC AND SHOULD NOT BE USED WITHOUT WRITTEN PERMISSION																			
FUNCTIONAL SYMBOLS	FA = 0	DIMENSION UNITS	SCALE	CURRENT REV DESC: UPDATED ITEM #2.5, LABEL DIM. AND MATERIAL P/N TABLE, ADDED CSA, IEC/UL VOLT, TEMP RATING, IP RATING, TOL. CHART AND PART NUMBER LEGEND															
	FC = 0	INCH/MM	2:1																
DIVISIONAL SYMBOLS	FP = 0	GENERAL TOLERANCES (UNLESS SPECIFIED)		EC NO: 711366															
		4 PLACES	MM	INCH	DRWN: AKABADI 2021/10/19														
		3 PLACES	±	±	CHK'D: RSTONE 2022/06/21														
		2 PLACES	±	±	APPR: BWOODMAN 2022/06/24														
		1 PLACE	±	±	INITIAL REVISION:														
DRAFT WHERE APPLICABLE MUST REMAIN WITHIN DIMENSIONS				THIRD ANGLE PROJECTION				DRAWING		SERIES		DOCUMENT NUMBER		DOC TYPE		DOC PART		REVISION	
				C-SIZE				130039		SD-130039-004		PSD		001		B			
								SEE TABLE		GENERAL MARKET						1 OF 1			