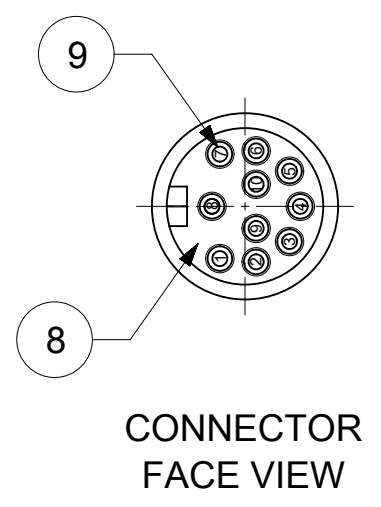
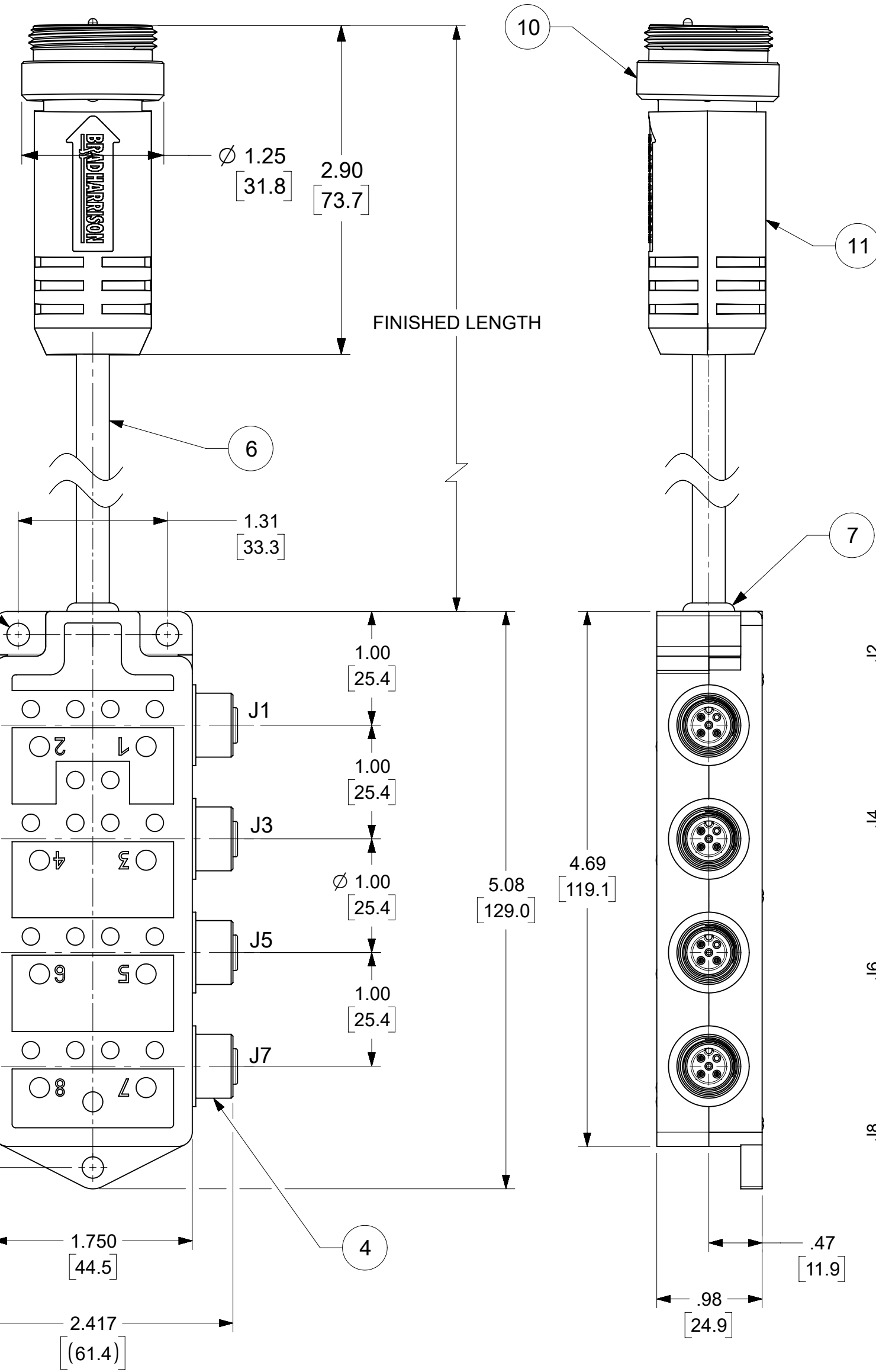


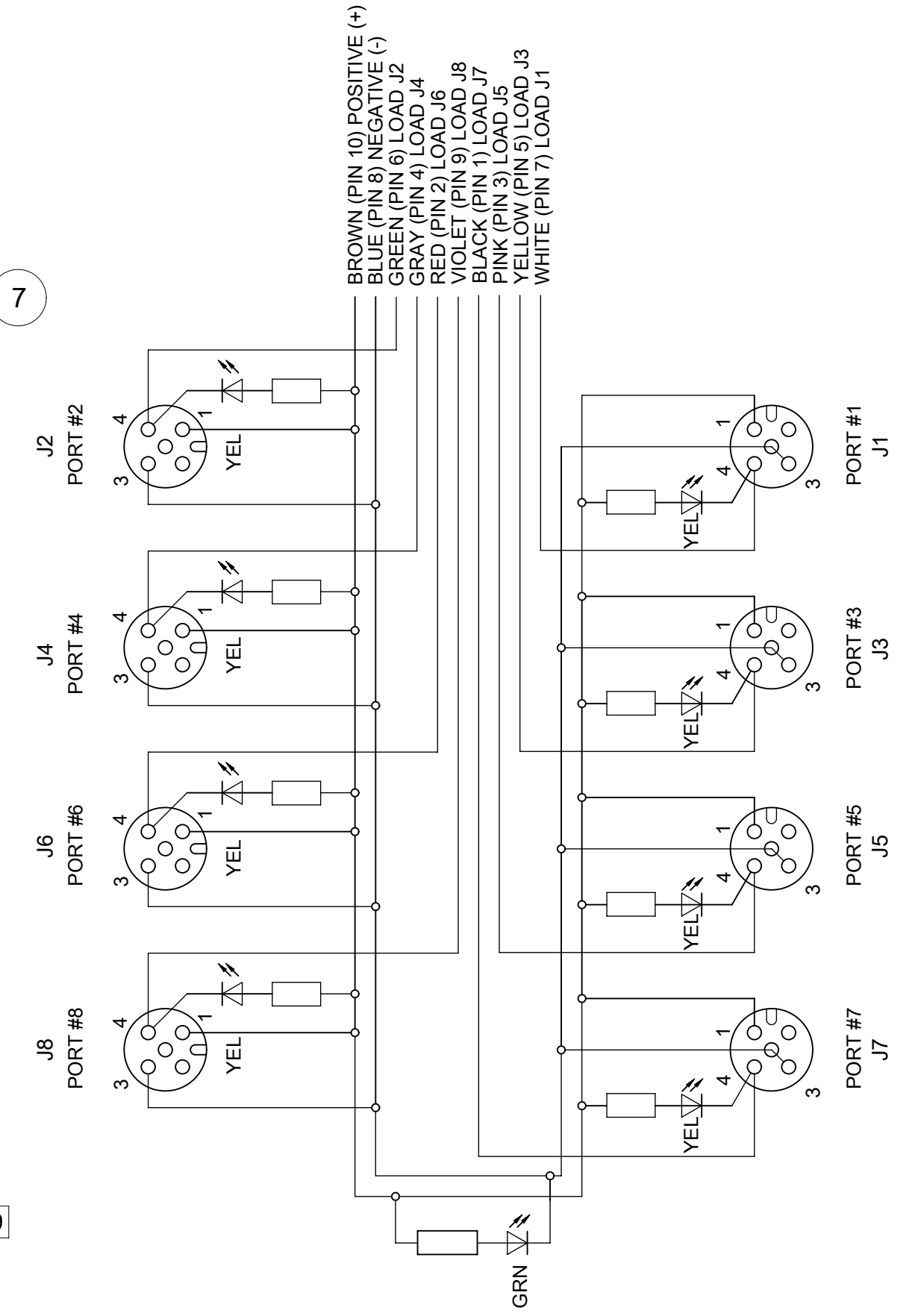
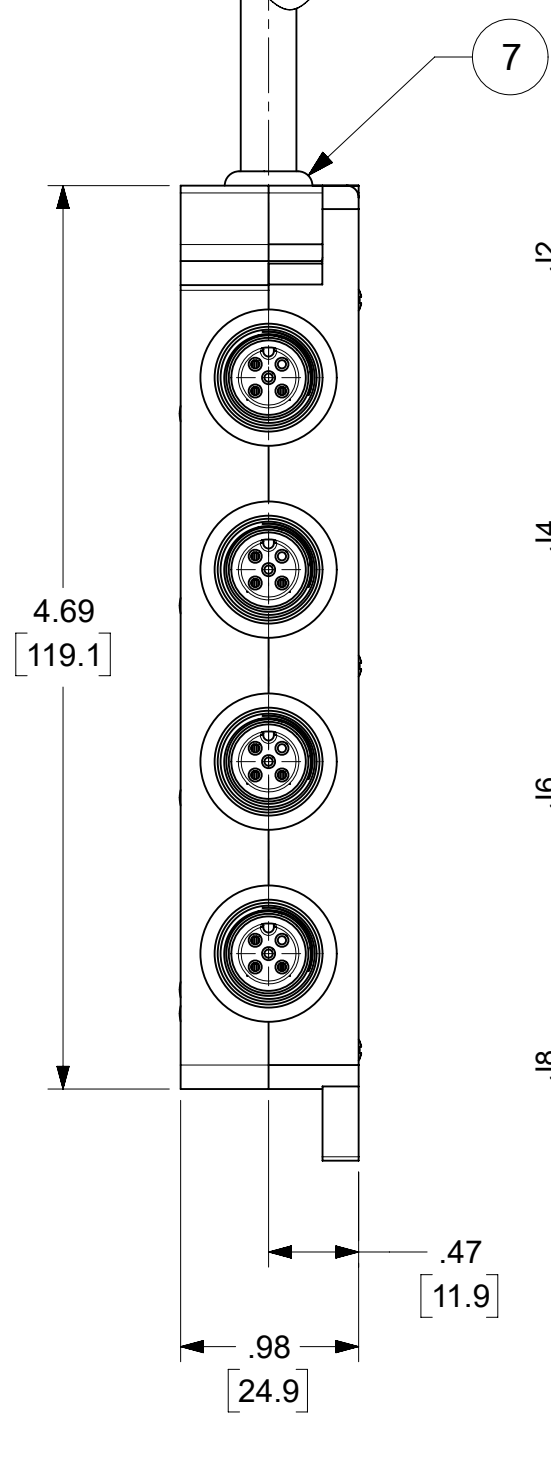
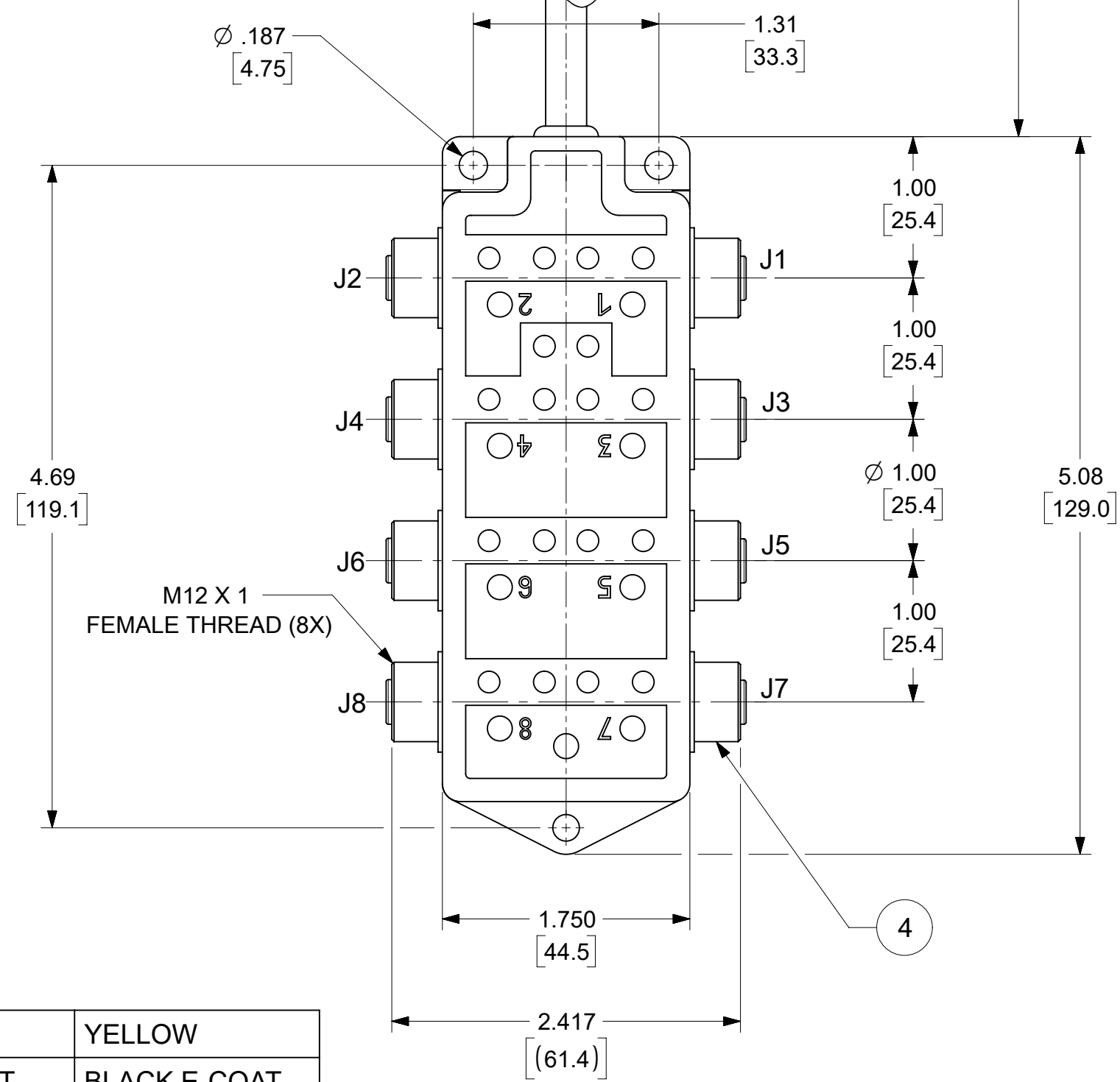
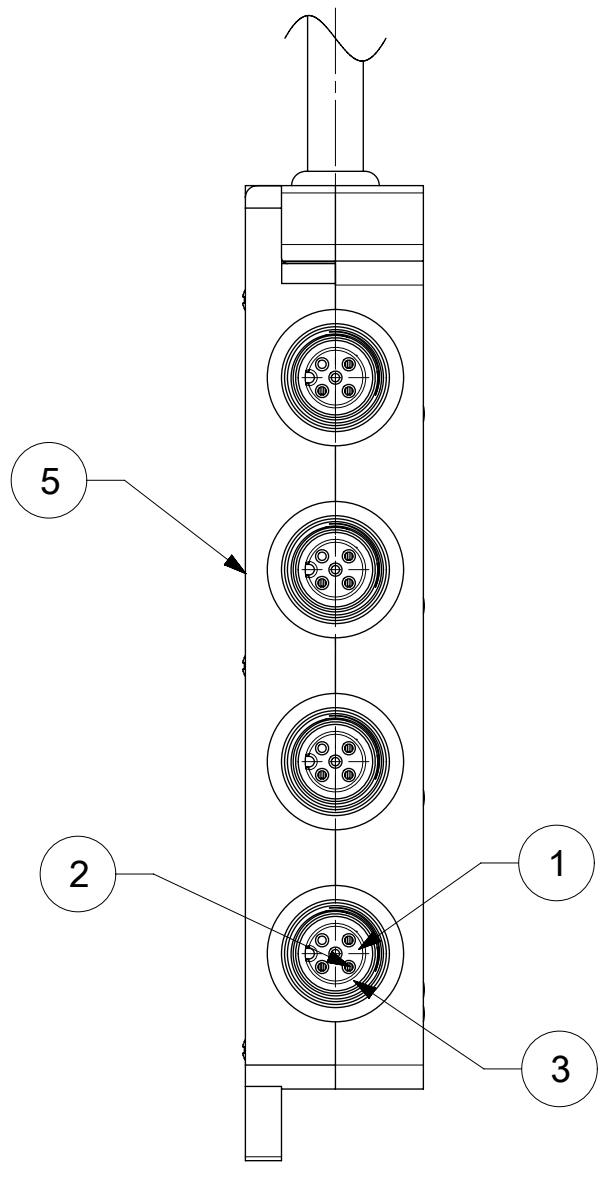
MATERIAL NO.	ENGINEERING NO.	FINISHED LENGTH
1201150044	803N802	12 IN

DUST PROTECTOR	BLANKING PLUG	MPIS ID LABEL
1201160026 (70-1710)	1203090067 (BG12103)	1203080681 (BG12490)

PARTS NOTED ABOVE ARE PACKED UNASSEMBLED WITH FINISHED ASSEMBLY



- NOTES:
1. MATERIAL: AS NOTED
 2. FINISH: AS NOTED
 3. ELECTRICAL:
VOLTAGE: 10-30 VDC
CURRENT: 4A
 4. TEMP RATING: -20°C TO +80°
 5. PROTECTION: IP67 (WHEN MATED)
 6. ALL DIMS ARE FOR REFERENCE UNLESS NOTED OTHERWISE.



WIRING SCHEMATIC
NOTE: KEYWAY ORIENTATION SHOWN IN WIRING SCHEMATIC DOES NOT REFLECT THE ACTUAL KEYWAY ON THE PRODUCT.

11	OVERMOLD	TPE	YELLOW
10	COUPLING NUT	ZINC DIE-CAST	BLACK E-COAT
9	CONTACT PIN	COPPER ALLOY	GOLD PLATED
8	INSERT	TPE	YELLOW
7	GROMMET	NITRILE	BLACK
6	CABLE	PVC JACKET	YELLOW
5	HOUSING, 8 PORT	NYLON	YELLOW
4	RECEPTACLE SHELL	ZINC DIE-CAST	BLACK E-COAT
3	O-RING	NITRILE	RED
2	CONTACT SOCKET	COPPER ALLOY	GOLD PLATED
1	INSERT	NYLON	BLACK
ITEM	DESCRIPTION	MATERIAL	FINISH

CABLE LENGTH TOLERANCES
 <.3M [1FT]: +19mm-0 [+ .75in-0]
 .3 - .9M [1 - 3FT]: +44.5mm-0 [+1.75in-0]
 .9 - 1.8M [3 - 6FT]: +55.6mm-0 [+2.19in-0]
 1.8 - 3.7M [6 - 12FT]: +88.9mm-0 [+3.50in-0]
 3.7 - 7.3M [12 - 24FT]: +165.1mm-0 [+6.50in-0]
 7.3-14.6M [24 - 48FT]: +317.5mm-0 [+12.50in-0]
 14.6 - 30.5M [48-100FT]: +622.3mm-0 [+24.50in-0]
 OVER 30M [100FT] +2% OF FINISHED LENGTH

FUNCTIONAL SYMBOLS	THIS DRAWING CONTAINS INFORMATION THAT IS PROPRIETARY TO MOLEX ELECTRONIC TECHNOLOGIES, LLC AND SHOULD NOT BE USED WITHOUT WRITTEN PERMISSION		CURRENT REV DESC: DOCUMENT WAS IN AUTOCAD - RECREATED IT IN NX. OVERMOLD AND INSERT WERE PVC. ADDED KEYWAY ORIENTATION NOTE AND LABEL VIEW.	
	DIMENSION UNITS	SCALE	EC NO: 747740	
$\frac{F}{A} = 0$	INCH[MM]	NTS	DRWN: VASUTHKARP	2023/05/02
$\frac{F}{C} = 0$	GENERAL TOLERANCES (UNLESS SPECIFIED)		CHK'D: MBRZOZOWSKI	2023/05/03
$\frac{F}{P} = 0$			APPR: BWOODMAN	2023/05/03
DIVISIONAL SYMBOLS			INITIAL REVISION:	
4 PLACES ± ±	MM	INCH	DRWN: IRV	1992/03/27
3 PLACES ± ±			APPR:	
2 PLACES ± ±			THIRD ANGLE PROJECTION	DRAWING
1 PLACE ± ±				SERIES
0 PLACES ± ±				MATERIAL NUMBER
ANGULAR TOL ± °				CUSTOMER
DRAFT WHERE APPLICABLE MUST REMAIN WITHIN DIMENSIONS				SHEET NUMBER



MICRO-CHANGE MPIS
8 PORT SIDE MOUNT NPN MC 10P M/M/TPE

PRODUCT CUSTOMER DRAWING

DOCUMENT NUMBER: 1201150044
DOC TYPE: PSD
DOC PART: 000
REVISION: A2