

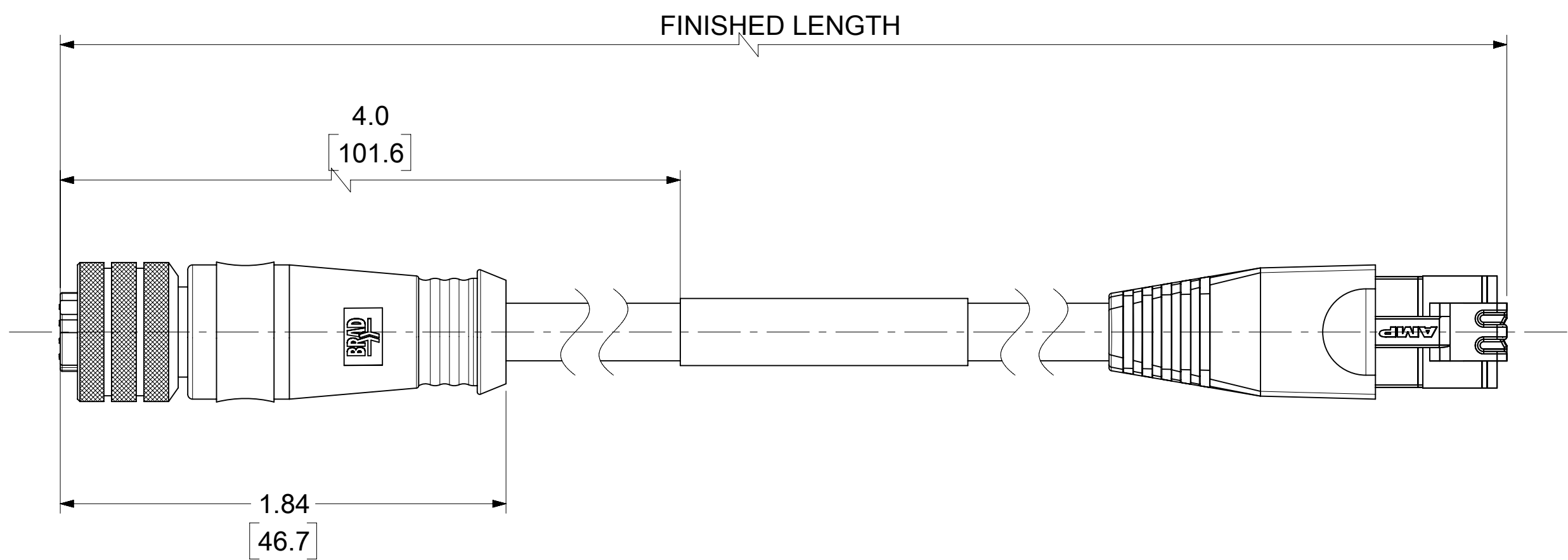
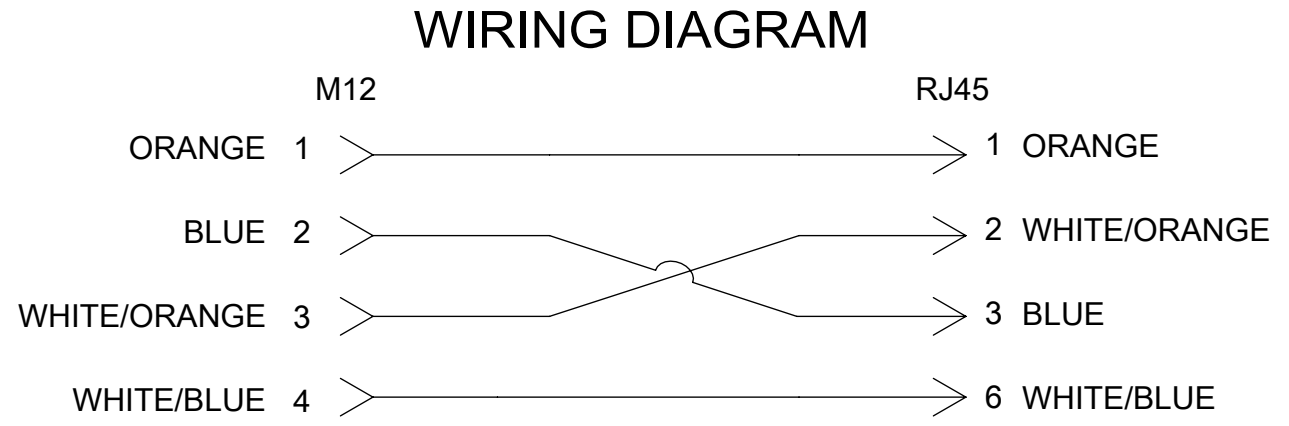
MATERIAL NO.	ENGINEERING NO.	FINISHED LENGTH
1201088008	E16A03002M005	1FT 7.7IN (0.5M)
1201080010	E16A03002M010	3FT 3.4IN (1.0M)

- NOTES:
1. MATERIAL: AS NOTED
  2. FINISH: AS NOTED
  3. ELECTRICAL SPECIFICATIONS  
VOLTAGE RATING: 125V  
CURRENT RATING: 1.5A
  4. TEMP RANGE: -25°C TO +75°C
  5. PROTECTION: IP67 (WHEN MATED)
  6. UL FILE: E361772
  7. ALL DIMS ARE FOR REFERNCE UNLESS TOLERANCED OR NOTED OTHERWISE

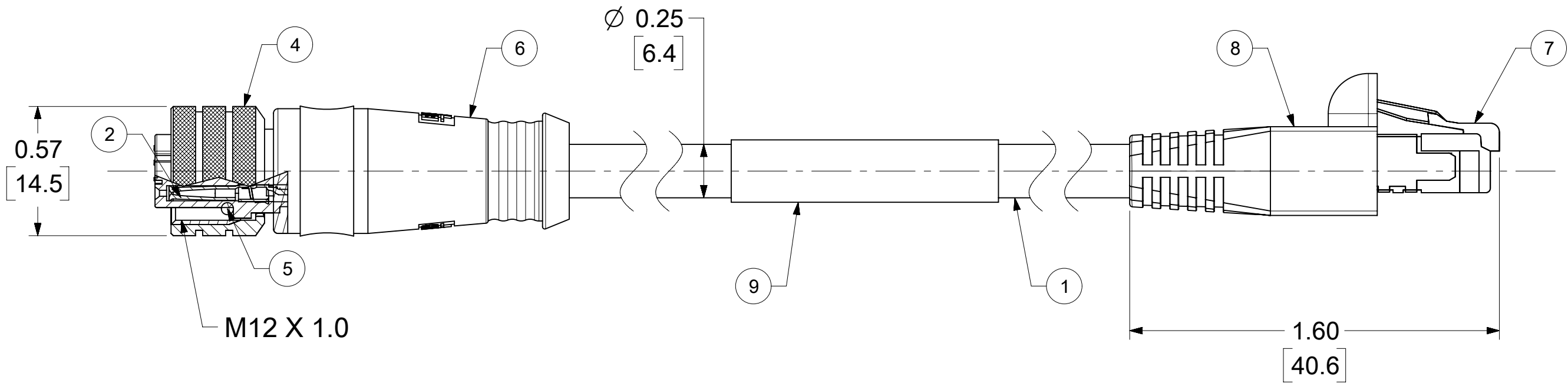
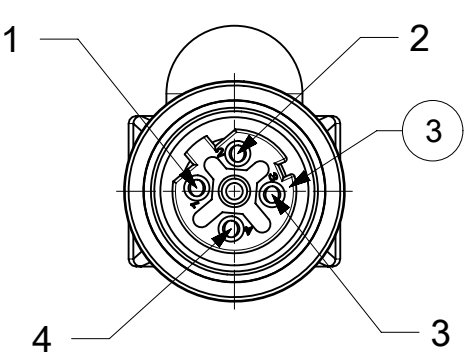
**PART NO. MATRIX**  
E16A03002M005

FINISHED LENGTH  
M005= 0.5 METER  
M010= 1 METER  
M100= 10 METER

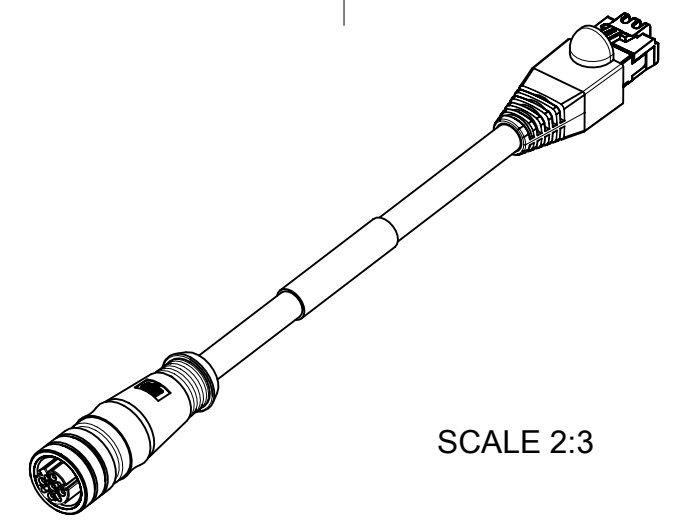
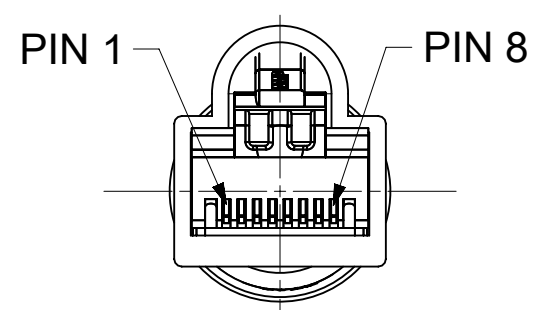
**CABLE LENGTH TOLERANCES**  
<.3M [1FT]: +19mm-0 [+ .75in-0]  
.3 - .9M [1 - 3FT]: +44.5mm-0 [+1.75in-0]  
.9 - 1.8M [3 - 6FT]: +55.6mm-0 [+2.19in-0]  
1.8 - 3.7M [6 - 12FT]: +88.9mm-0 [+3.50in-0]  
3.7 - 7.3M [12 - 24FT]: +165.1mm-0 [+6.50in-0]  
7.3-14.6M [24 - 48FT]: +317.5mm-0 [+12.50in-0]  
14.6 - 30.5M [48-100FT]: +622.3mm-0 [+24.50in-0]  
OVER 30M [100FT] +2% OF FINISHED LENGTH



**M12 4 POLE**



**RJ 45**



9	LABEL	VINYL	BLACK/WHITE
8	RJ45 BOOT, HOODED	PVC	BLACK
7	RJ 45 PLUG	POLYCARBONATE	TRANSPARENT
6	OVERMOLD	TPU	BLACK
5	O-RING	VITON	RED
4	COUPLING NUT M12 FEMALE	BRASS	NICKEL
3	INSERT D-CODE 4 POLE FEMALE	PUR	BLACK
2	CONTACT SOCKET	COPPER ALLOY	GOLD PLATED
1	CABLE, ETHERNET, 24-4	PVC JACKET	TEAL
ITEM	DESCRIPTION	MATERIAL	FINISH

THIS DRAWING CONTAINS INFORMATION THAT IS PROPRIETARY TO MOLEX ELECTRONIC TECHNOLOGIES, LLC AND SHOULD NOT BE USED WITHOUT WRITTEN PERMISSION

FUNCTIONAL SYMBOLS	THIS DRAWING CONTAINS INFORMATION THAT IS PROPRIETARY TO MOLEX ELECTRONIC TECHNOLOGIES, LLC AND SHOULD NOT BE USED WITHOUT WRITTEN PERMISSION	SCALE	CURRENT REV DESC: INITIAL RELEASE
FA = 0	DIMENSION UNITS	INCH/MM	2:1
FC = 0	GENERAL TOLERANCES (UNLESS SPECIFIED)	MM	INCH
FP = 0	4 PLACES	±	±
DIVISIONAL SYMBOLS	3 PLACES	±	±
	2 PLACES	±	±
	1 PLACE	±	±
	0 PLACES	±	±
	ANGULAR TOL	± °	
	DRAFT WHERE APPLICABLE MUST REMAIN WITHIN DIMENSIONS		

EC NO: 648668	2020/09/23
DRWN: VASUTHKARP	2020/11/11
CHK'D: RSTONE	2020/11/11
APPR: BWOODMAN	2020/11/18
INITIAL REVISION:	
DRWN: NSTAUDIGEL	2010/02/08
APPR: fpacher	2010/02/11

DOCUMENT NUMBER	DOC TYPE	DOC PART	REVISION
SD-120108-035	PSD	001	A
MATERIAL NUMBER	CUSTOMER	SHEET NUMBER	
SEE TABLE	GENERAL MARKET	1 OF 1	