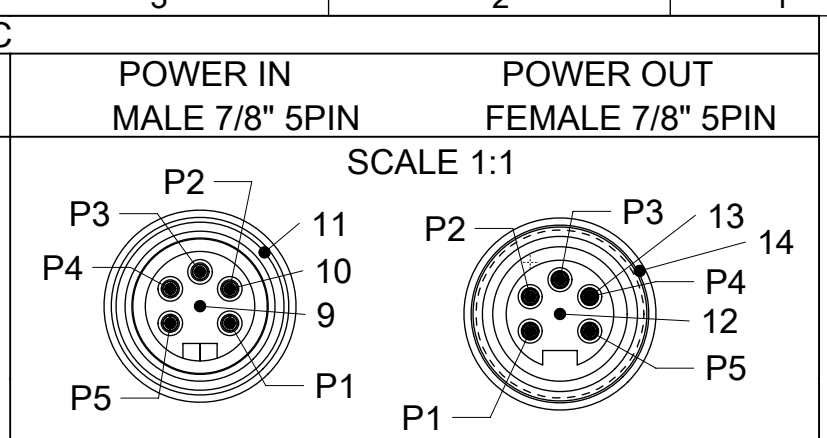
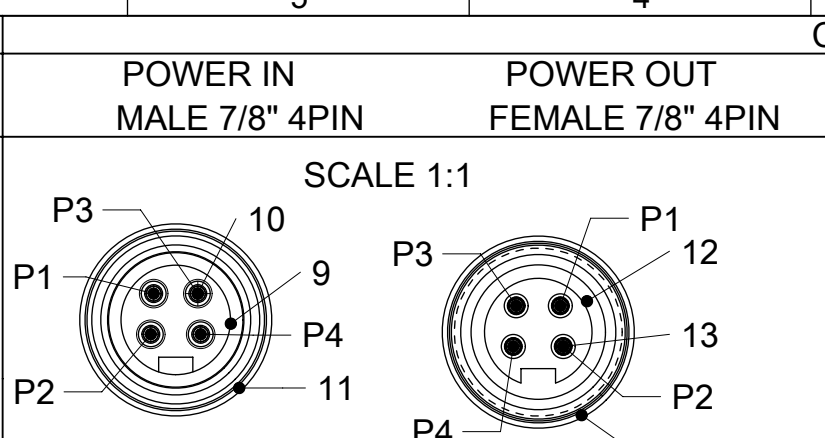
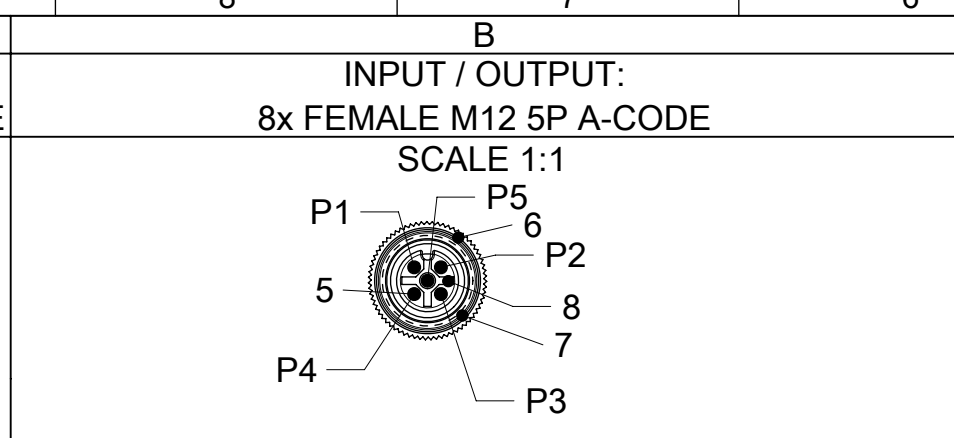
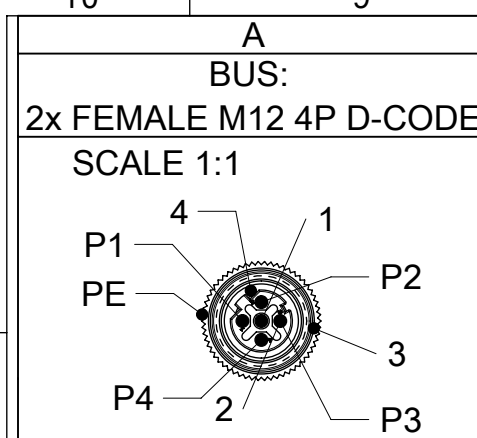


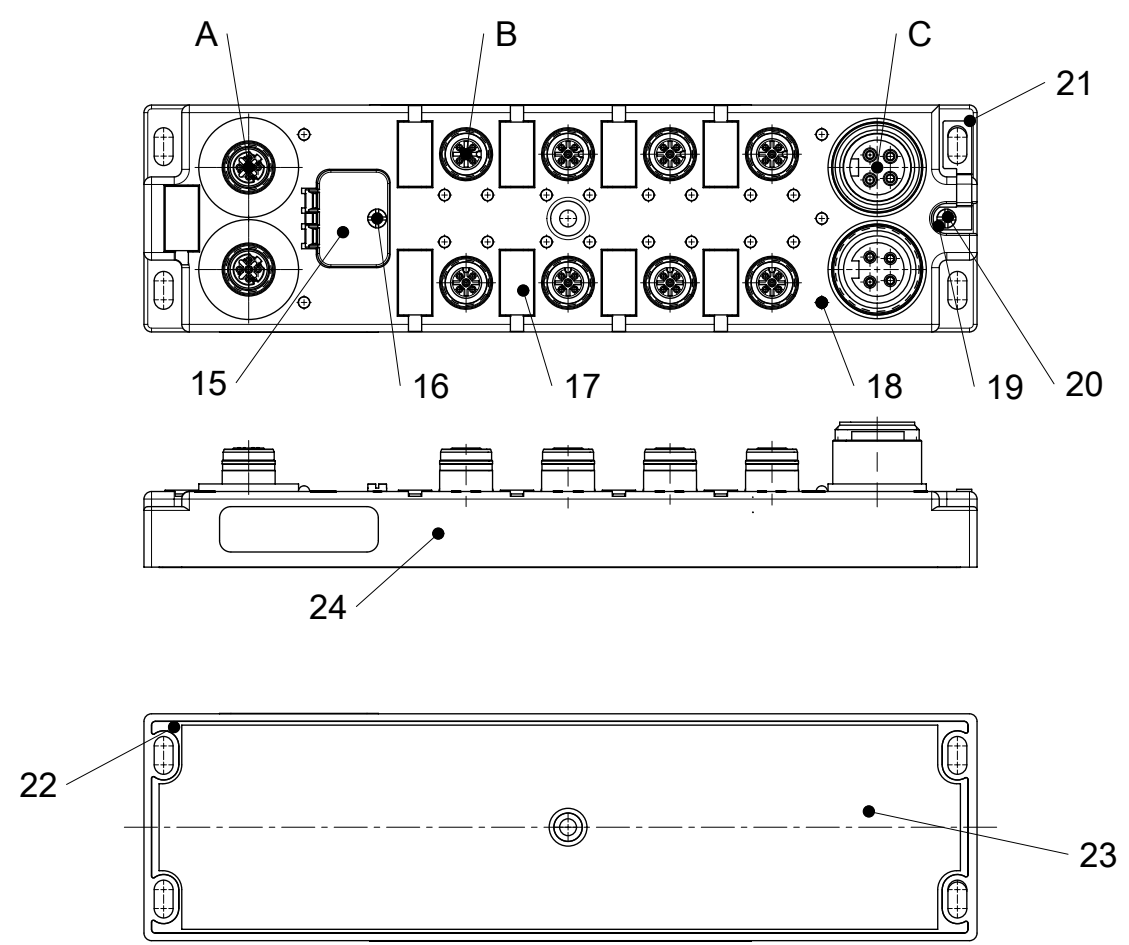
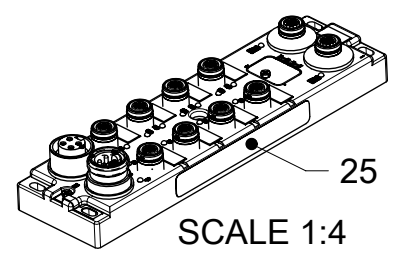
SCALE 1:2

THIS DRAWING CONTAINS INFORMATION THAT IS PROPRIETARY TO MOLEX ELECTRONIC TECHNOLOGIES, LLC AND SHOULD NOT BE USED WITHOUT WRITTEN PERMISSION											
DIMENSION UNITS		SCALE		CURRENT REV DESC: OBSOLETE PART NUMBERS							
mm		1:1									
GENERAL TOLERANCES (UNLESS SPECIFIED)											
ANGULAR TOL ± °				IO:ENET/IP:IP67-60MM:8P5:16 DCONFIG U12 4P 2PT DC FE							
4 PLACES ±				PRODUCT CUSTOMER DRAWING							
3 PLACES ±				DOCUMENT NUMBER							
2 PLACES ±				1120955011							
1 PLACE ± 0.3				DOC TYPE							
0 PLACES ± 0.5				PSD							
DRAFT WHERE APPLICABLE MUST REMAIN WITHIN DIMENSIONS				THIRD ANGLE PROJECTION		DRAWING		SERIES		MATERIAL NUMBER	
						A3-SIZE		112095		SEE TABLE 3,4,5,6,7,8	
								CUSTOMER		REVISION	
								GENERAL MARKET		000 A3	
										SHEET NUMBER	
										1 OF 7	



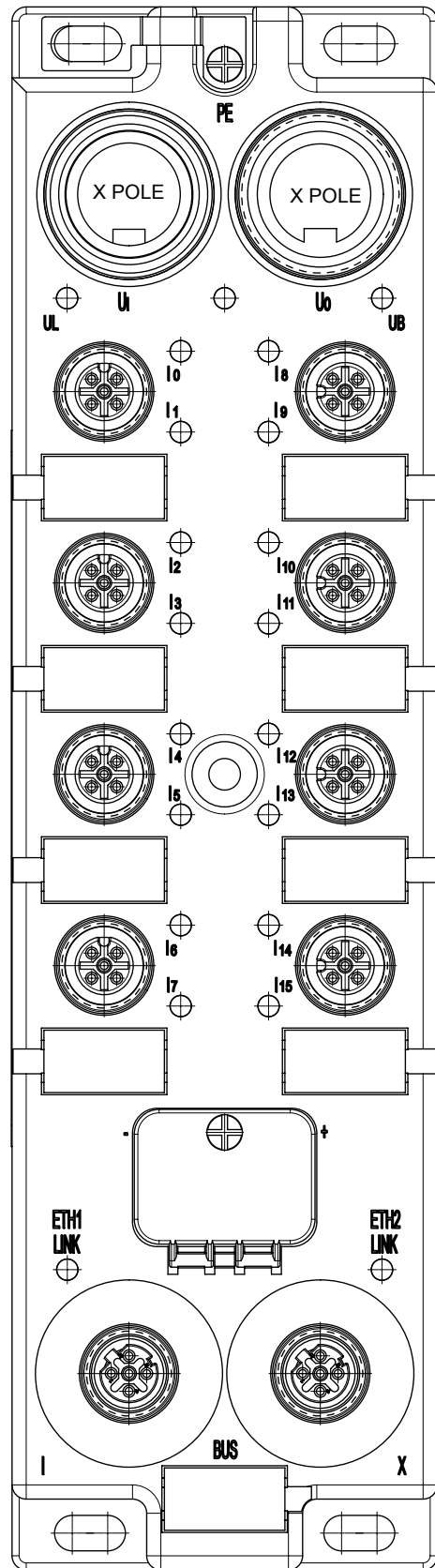
BILL OF MATERIAL

ITEM	DESCRIPTION	MATERIAL	FINISH
1	INSERT	TPU	BLACK
2	CONTACT	COPPER ALLOY	GOLD OVERNICKEL
3	SHELL	BRASS	NICKEL PLATET
4	GASKET	FPM	BLACK
5	CONTACT	COPPER ALLOY	GOLD OVER NICKEL
6	GASKET	FPM	BLACK
7	SHELL	BRASS	NICKEL PLATET
8	INSERT	TPU	BLACK
9	INSERT	TPE	YELLOW
10	CONTACT	COPPER ALLOY	GOLD OVERNICKEL
11	SHELL	BRASS	NICKEL PLATET
12	INSERT	TPE	YELLOW
13	CONTACT	COPPER ALLOY	GOLD OVER NICKEL
14	SHELL	BRASS	NICKEL PLATET
15	WINDOW	PC	TRANSPARENT
16	SCREW	V2A	-
17	LABEL	PC	WHITE
18	FIBER OPTIC	PA	TRANSPARENT
19	WASHER	BRASS	NICKEL PLATET
20	SCREW	V2A	-
21	SHIELD PLATE	STAINLESS STEEL	-
22	RESIN	EPOXY	TRANSPARENT
23	LABEL	PVC	WHITE
24	HOUSING	PBT	BLACK
25	LABEL	PVC	YELLOW



THIS DRAWING CONTAINS INFORMATION THAT IS PROPRIETARY TO MOLEX ELECTRONIC TECHNOLOGIES, LLC AND SHOULD NOT BE USED WITHOUT WRITTEN PERMISSION

DIMENSION UNITS mm	SCALE 1:2	CURRENT REV DESC: OBSOLETE PART NUMBERS		molex		
GENERAL TOLERANCES (UNLESS SPECIFIED)		EC NO: 638770				IO:ENET/IP:IP67-60MM:8P5:16 DCONFIG U12 4P 2PT DC FE
ANGULAR TOL ± °		4 PLACES ±	DRWN: RPRABHUM	2020/03/30	PRODUCT CUSTOMER DRAWING	
		3 PLACES ±	CHK'D: GGA	2020/07/21		
		2 PLACES ±	APPR: GGA	2020/07/21	DOCUMENT NUMBER 1120955011	
		1 PLACE ± 0.3	INITIAL REVISION:			DOC TYPE PSD
		0 PLACES ± 0.5	DRWN: SSM	2019/02/28	DOC PART 000	
			APPR: RSILLER	2019/03/27	REVISION A3	
DRAFT WHERE APPLICABLE MUST REMAIN WITHIN DIMENSIONS	THIRD ANGLE PROJECTION	DRAWING A3-SIZE	SERIES 112095	MATERIAL NUMBER SEE TABLE 3,4,5,6,7,8	CUSTOMER GENERAL MARKET	SHEET NUMBER 2 OF 7

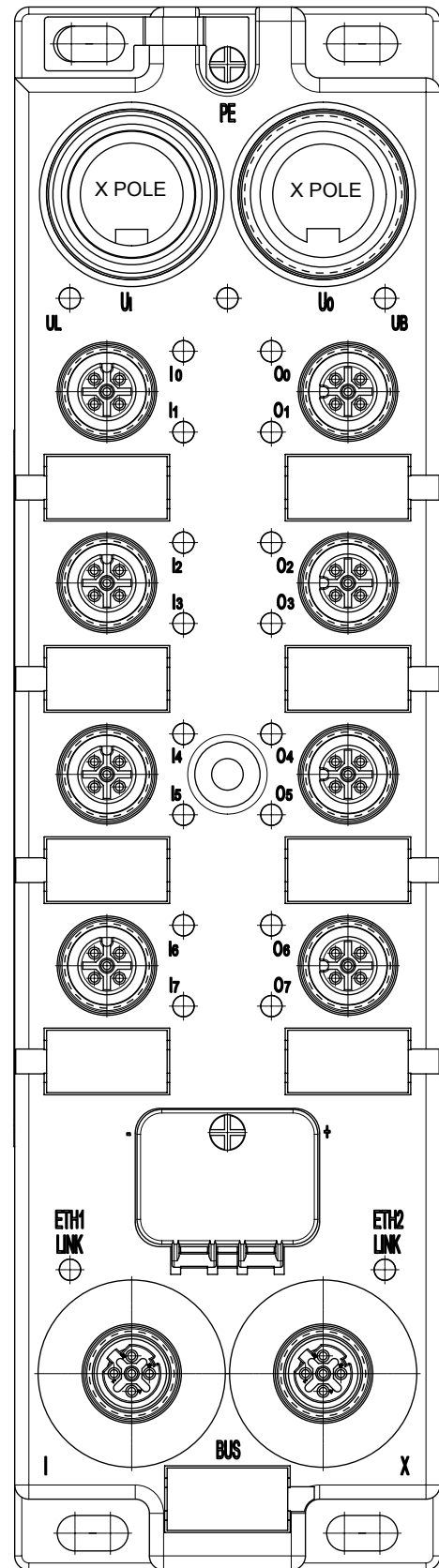


16 IN PRINTING

TABLE 1 16 IN PRINTING

POWER TYPE	INPUT/OUTPUT	EtherNet/IP		PROFINET		3D MODEL NO.
		ENG. NO	MOLEX P/N	ENG. NO	MOLEX P/N	
7/8" 5 POLE	PNP	16I		TCDEP-8D0P-D1U-G	1120955048	1120955011- PDM
7/8" 4 POLE		16I	TCDEI-8D0P-DYU-G01	1120955002		
		16I	TCDEI-8D0P-DYU-G02	1120955137		

THIS DRAWING CONTAINS INFORMATION THAT IS PROPRIETARY TO MOLEX ELECTRONIC TECHNOLOGIES, LLC AND SHOULD NOT BE USED WITHOUT WRITTEN PERMISSION									
DIMENSION UNITS	SCALE	CURRENT REV DESC: OBSOLETE PART NUMBERS							
mm	1:1	molex							
GENERAL TOLERANCES (UNLESS SPECIFIED)		IO:ENET/IP:IP67:60MM:8P5:16 DCONFIG U12 4P 2PT DC FE							
ANGULAR TOL	± °	PRODUCT CUSTOMER DRAWING							
4 PLACES	±	EC NO: 638770	2020/03/30		DOCUMENT NUMBER				
3 PLACES	±	DRWN: RPRABHUM	2020/07/21		1120955011				
2 PLACES	±	CHK'D: GGA	2020/07/21		DOC TYPE		DOC PART		REVISION
1 PLACE	± 0.3	APPR: GGA	2020/07/21		PSD		000		A3
0 PLACES	± 0.5	INITIAL REVISION:			SHEET NUMBER				
DRAFT WHERE APPLICABLE MUST REMAIN WITHIN DIMENSIONS		DRWN: SSM	2019/02/28		MATERIAL NUMBER		CUSTOMER		
		APPR: RSILLER	2019/03/27		SEE TABLE 3,4,5,6,7,8		GENERAL MARKET		3 OF 7
		THIRD ANGLE PROJECTION	DRAWING	SERIES	SHEET NUMBER				
			A3-SIZE	112095	3 OF 7				

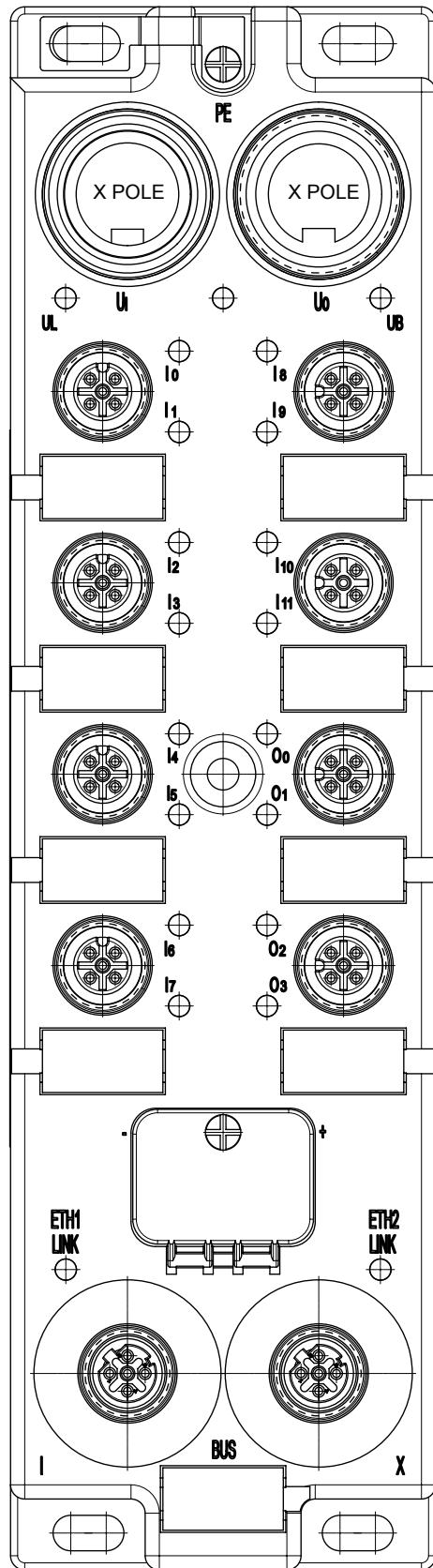


8/80 IN PRINTING

TABLE 2 8/80 PRINTING

POWER TYPE	INPUT/OUTPUT	EtherNet/IP		PROFINET		3D MODEL NO.
		ENG. NO	MOLEX P/N	ENG. NO	MOLEX P/N	
7/8" 5 POLE	PNP	8/80	TCDEI-888P-D1U-G		TCDEP-888P-D1U-G	1120955050
7/8" 4 POLE		8/80	TCDEI-888P-DYU-G	1120955041	TCDEP-888P-DYU-G	1120955053
			TCDEI-888P-DYU-G01	1120955072		
		TCDEI-888P-DYU-G02	1120955138			

THIS DRAWING CONTAINS INFORMATION THAT IS PROPRIETARY TO MOLEX ELECTRONIC TECHNOLOGIES, LLC AND SHOULD NOT BE USED WITHOUT WRITTEN PERMISSION											
DIMENSION UNITS	SCALE	CURRENT REV DESC: OBSOLETE PART NUMBERS									
mm	1:1										
GENERAL TOLERANCES (UNLESS SPECIFIED)											
ANGULAR TOL	± °	IO:ENET/IP:IP67:60MM:8P5:16 DCONFIG U12 4P 2PT DC FE									
4 PLACES	±	PRODUCT CUSTOMER DRAWING									
3 PLACES	±	DOCUMENT NUMBER									
2 PLACES	±	1120955011									
1 PLACE	± 0.3	DOC TYPE DOC PART REVISION									
0 PLACES	± 0.5	PSD 000 A3									
DRAFT WHERE APPLICABLE MUST REMAIN WITHIN DIMENSIONS	THIRD ANGLE PROJECTION	DRAWING	SERIES	MATERIAL NUMBER	CUSTOMER	SHEET NUMBER					
		A3-SIZE	112095	SEE TABLE 3,4,5,6,7,8	GENERAL MARKET	4 OF 7					

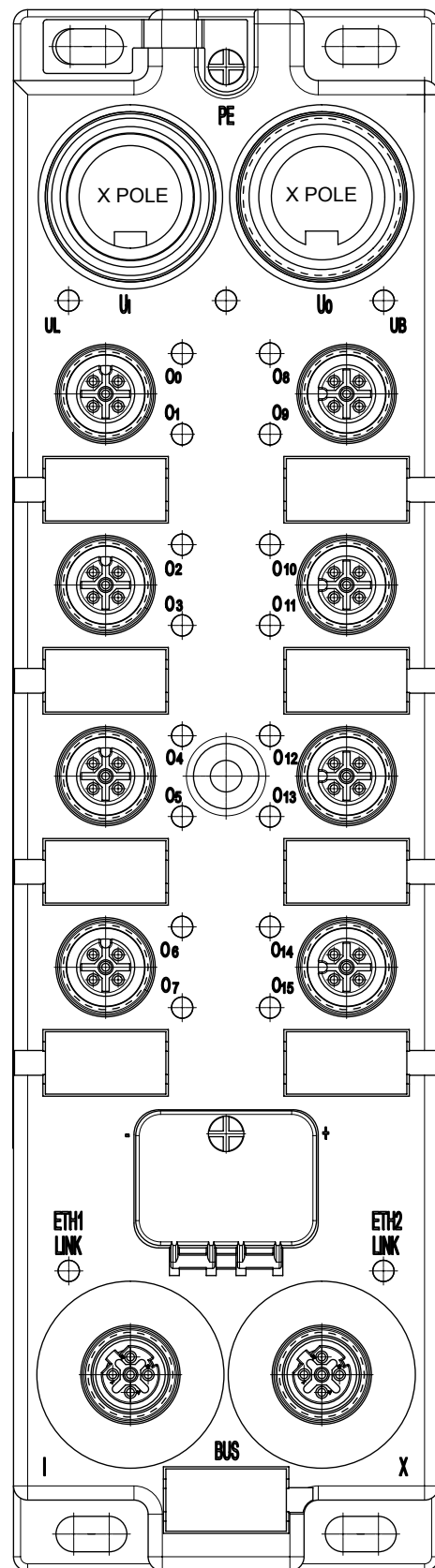


12I/4O PRINTING

TABLE 3 12I/4O PRINTING

POWER TYPE	INPUT/OUTPUT	EtherNet/IP		PROFINET		3D MODEL NO.
		ENG. NO	MOLEX P/N	ENG. NO	MOLEX P/N	
7/8" 5 POLE	PNP	12I/4O	TCDEI-8B4P-D1U-G	TCDEP-8B4P-D1U-G	1120955051	1120955011 - PDM
7/8" 4 POLE		12I/4O	TCDEI-8B4P-DYU-G02	1120955139		

THIS DRAWING CONTAINS INFORMATION THAT IS PROPRIETARY TO MOLEX ELECTRONIC TECHNOLOGIES, LLC AND SHOULD NOT BE USED WITHOUT WRITTEN PERMISSION									
DIMENSION UNITS	SCALE	CURRENT REV DESC: OBSOLETE PART NUMBERS							
mm	1:1								
GENERAL TOLERANCES (UNLESS SPECIFIED)									
ANGULAR TOL	± °	IO:ENET/IP:IP67:60MM:8P5:16 DCONFIG U12 4P 2PT DC FE							
4 PLACES	±	EC NO: 638770	2020/03/30	PRODUCT CUSTOMER DRAWING					
3 PLACES	±	DRWN: RPRABHUM	2020/07/21	DOCUMENT NUMBER					
2 PLACES	±	CHK'D: GGA	2020/07/21	1120955011					
1 PLACE	± 0.3	APPR: GGA	2020/07/21	PSD 000 A3					
0 PLACES	± 0.5	INITIAL REVISION:		SHEET NUMBER					
DRAFT WHERE APPLICABLE MUST REMAIN WITHIN DIMENSIONS		DRWN: SSM	2019/02/28	MATERIAL NUMBER		CUSTOMER		5 OF 7	
		APPR: RSILLER	2019/03/27	SEE TABLE 3,4,5,6,7,8		GENERAL MARKET			
		THIRD ANGLE PROJECTION	DRAWING	SERIES					
			A3-SIZE	112095					



160 PRINTING

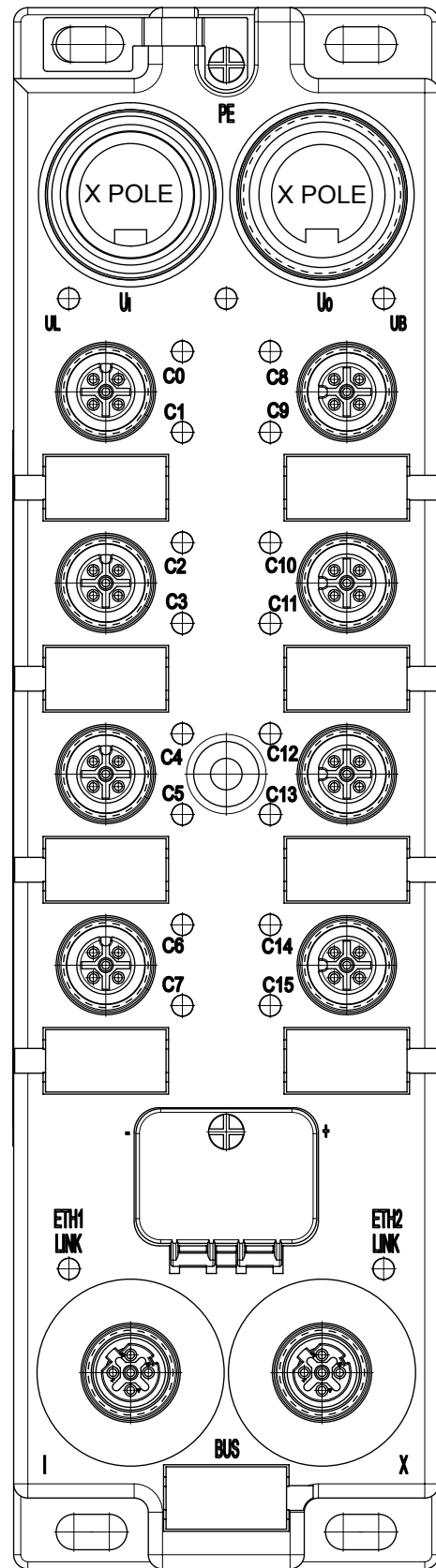
TABLE 4 160 PRINTING

POWER TYPE	INPUT/OUTPUT		EtherNet/IP		PROFINET		3D MODEL NO.
			ENG. NO	MOLEX P/N	ENG. NO	MOLEX P/N	
7/8" 5 POLE	PNP	160	TCDEI-80DP-D1U-G		TCDEP-80DP-D1U-G	1120955049	1120955011 - PDM
7/8" 4 POLE		160	TCDEI-80D8-DYU-G01	1120955074			

THIS DRAWING CONTAINS INFORMATION THAT IS PROPRIETARY TO MOLEX ELECTRONIC TECHNOLOGIES, LLC AND SHOULD NOT BE USED WITHOUT WRITTEN PERMISSION										
DIMENSION UNITS	SCALE	CURRENT REV DESC: OBSOLETE PART NUMBERS								
mm	1:1	molex								
GENERAL TOLERANCES (UNLESS SPECIFIED)		IO:ENET/IP:IP67:60MM:8P5:16 DCONFIG U12 4P 2PT DC FE								
ANGULAR TOL	± °	PRODUCT CUSTOMER DRAWING								
4 PLACES	±	EC NO: 638770	2020/03/30							
3 PLACES	±	DRWN: RPRABHUM	2020/07/21							
2 PLACES	±	CHK'D: GGA	2020/07/21							
1 PLACE	± 0.3	APPR: GGA	2020/07/21							
0 PLACES	± 0.5	INITIAL REVISION:		DOCUMENT NUMBER				DOC TYPE	DOC PART	REVISION
DRAFT WHERE APPLICABLE MUST REMAIN WITHIN DIMENSIONS		THIRD ANGLE PROJECTION		DRAWING	SERIES	MATERIAL NUMBER	CUSTOMER	SHEET NUMBER		
				A3-SIZE	112095	SEE TABLE 3,4,5,6,7,8	GENERAL MARKET	6 OF 7		
								A3		

TABLE 5 16 USER CONFIG PRINTING

POWER TYPE	INPUT/OUTPUT		EtherNet/IP		PROFINET		3D MODEL NO.
			ENG. NO	MOLEX P/N	ENG. NO	MOLEX P/N	
7/8" 5 POLE	PNP	USER CONFIG	TCDEI-8YYX-D1U-G02	1120955117	TCDEP-8YYX-D1U-01	1120955115	1120955011 - PDM
7/8" 4 POLE			TCDEI-8YYX-DYU-G02	1120955116	TCDEP-8YYX-DYU-01		



THIS DRAWING CONTAINS INFORMATION THAT IS PROPRIETARY TO MOLEX ELECTRONIC TECHNOLOGIES, LLC AND SHOULD NOT BE USED WITHOUT WRITTEN PERMISSION		CURRENT REV DESC: OBSOLETE PART NUMBERS		molex	
DIMENSION UNITS	SCALE				
mm	1:1			IO:ENET/IP:IP67:60MM:8P5:16 DCONFIG U12 4P 2PT DC FE	
GENERAL TOLERANCES (UNLESS SPECIFIED)				PRODUCT CUSTOMER DRAWING	
ANGULAR TOL	± °			DOCUMENT NUMBER	
4 PLACES	±	EC NO: 638770	2020/03/30	1120955011	
3 PLACES	±	DRWN: RPRABHUM	2020/07/21	DOC TYPE	DOC PART
2 PLACES	±	CHK'D: GGA	2020/07/21	PSD	000
1 PLACE	± 0.3	APPR: GGA	2020/07/21	REVISION	
0 PLACES	± 0.5	INITIAL REVISION:		A3	
DRAFT WHERE APPLICABLE MUST REMAIN WITHIN DIMENSIONS		DRWN: SSM	2019/02/28	MATERIAL NUMBER	
		APPR: RSILLER	2019/03/27	SEE TABLE 3,4,5,6,7,8	
		THIRD ANGLE PROJECTION	DRAWING	SERIES	CUSTOMER
			A3-SIZE	112095	GENERAL MARKET
				SHEET NUMBER	
				7 OF 7	