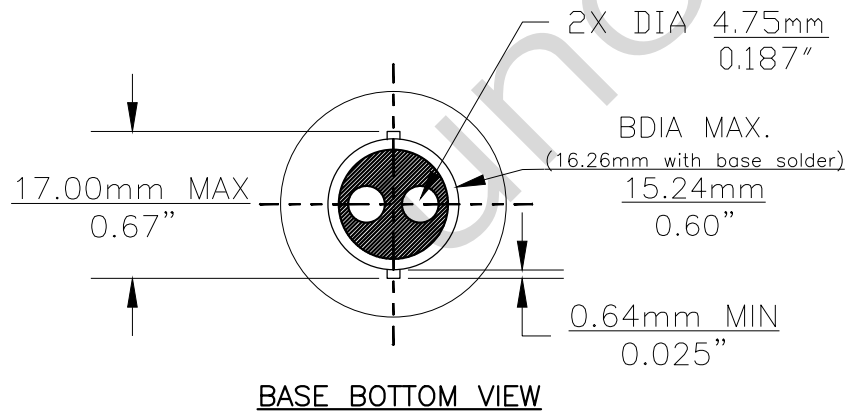
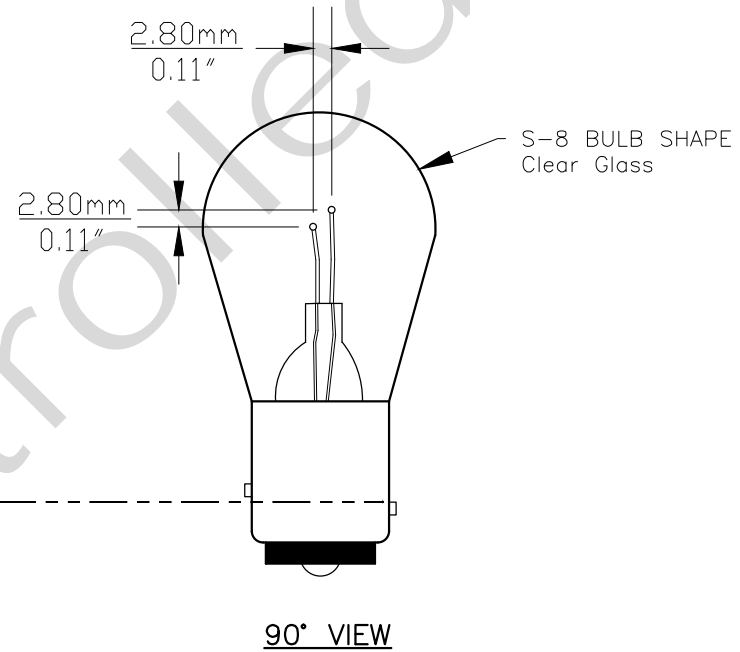
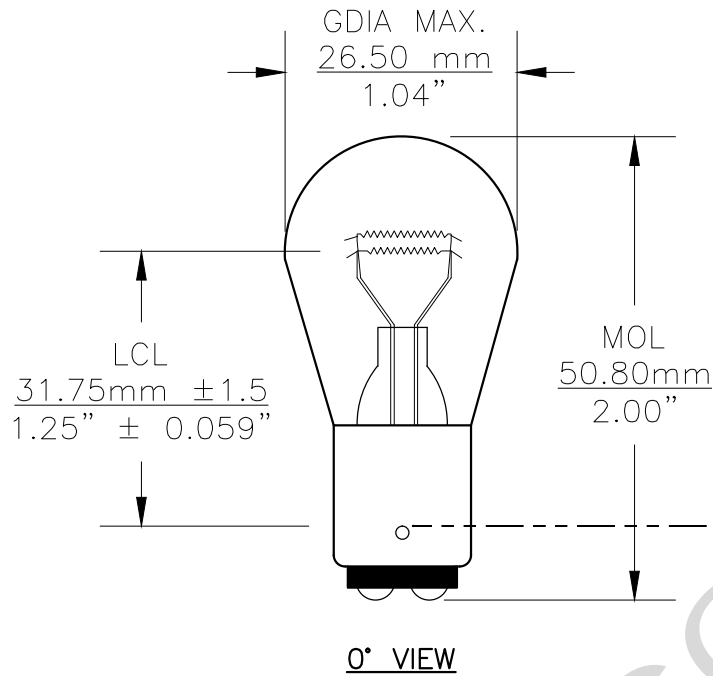




PART NO.	BASE TYPE	DESIGN VOLTS	DESIGN AMPS	MSCD	FILAMENT TYPE	AVERAGE LIFE HOURS	REVISIONS			
							REV #	DESCRIPTION	DATE	APPROVED
1016	D.C. INDEX BAY15d	12.8V 14V	1.34 0.59 ±10%	21±15% 6±15%	C-6 C-6	300/1500	1	ADDITION OF LEAD FREE	01/19/2009	DC



Note: Made according to SAE specifications

UNLESS OTHERWISE SPECIFIED: DIMENSIONS ARE IN INCHES TOLERANCES		CEC INDUSTRIES LTD			
DECIMALS	ANGULAR	599 BOND STREET		LINCOLNSHIRE, IL 60069	
.XX ± .05	± 0.5°	TITLE LIGHT BULB NO. 1016			
.XXX ± .010		SIZE A	FSCM NO.	DWG NO. 1016	REV 1
FRACTIONAL	±1/64	DESIGN	SCALE	PLOT SCALE	SHEET 1 OF 1
DRAWN SIDNEY LIU		DATE 04/05/2001		MATERIAL	
CHECKED		FILE 1016.pdf		DRAWING NOT TO SCALE	