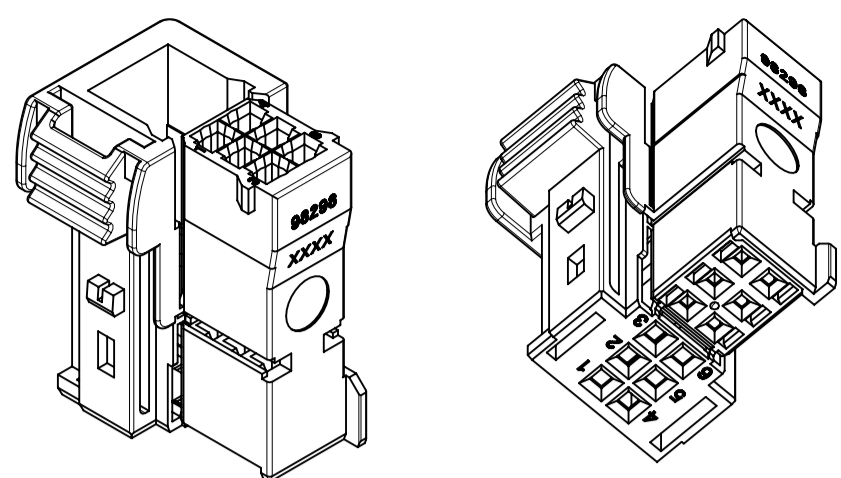
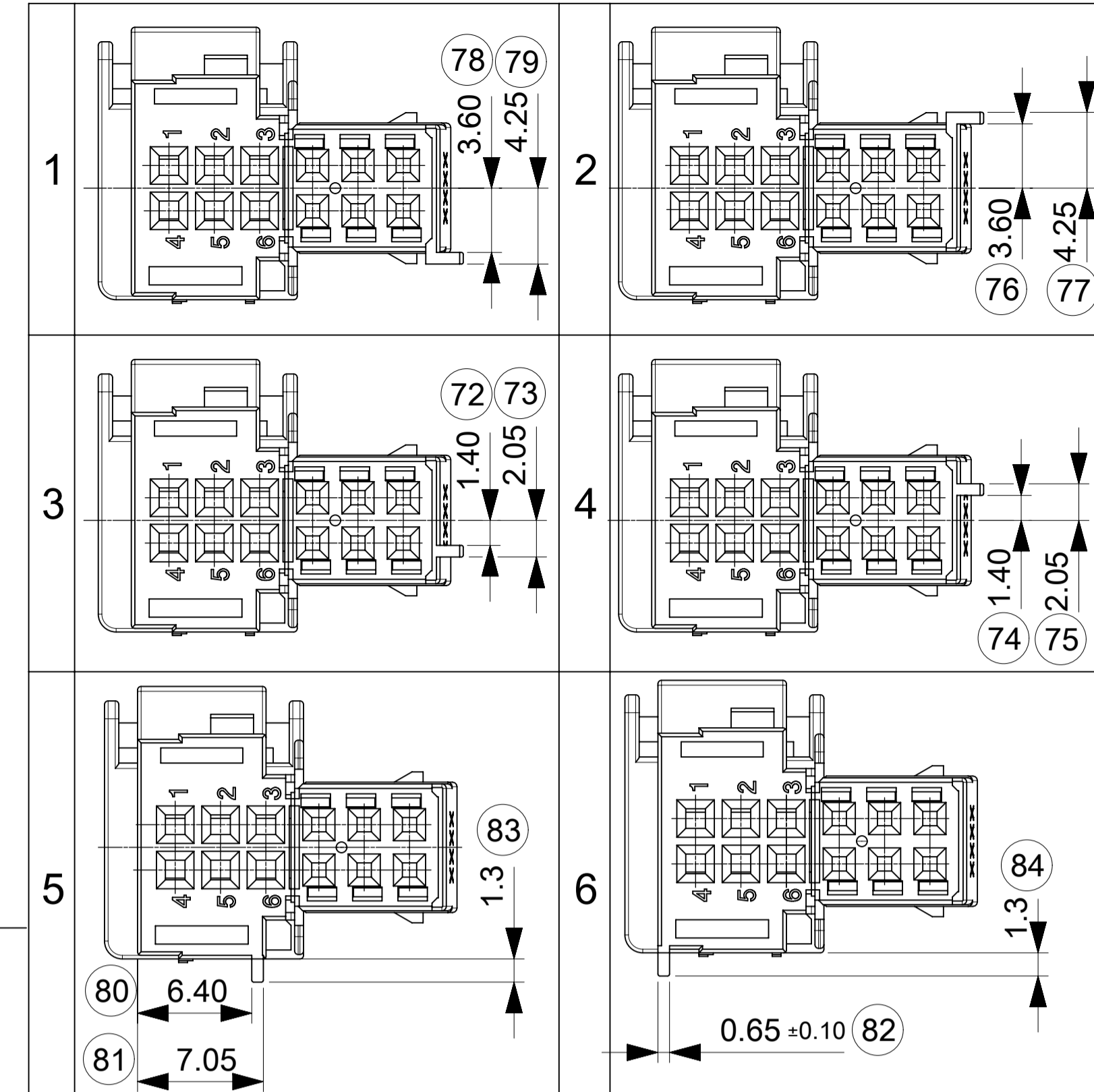
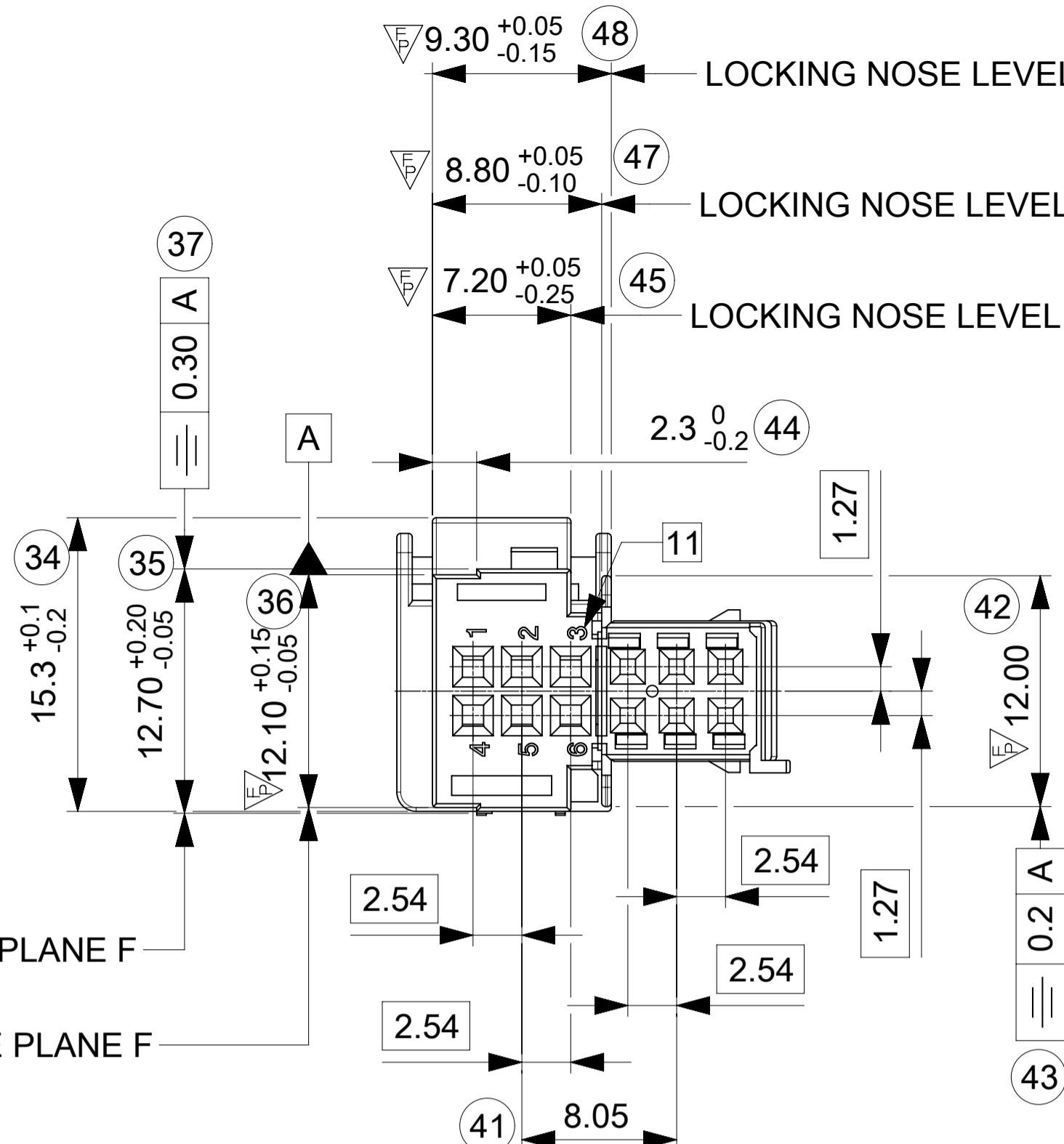
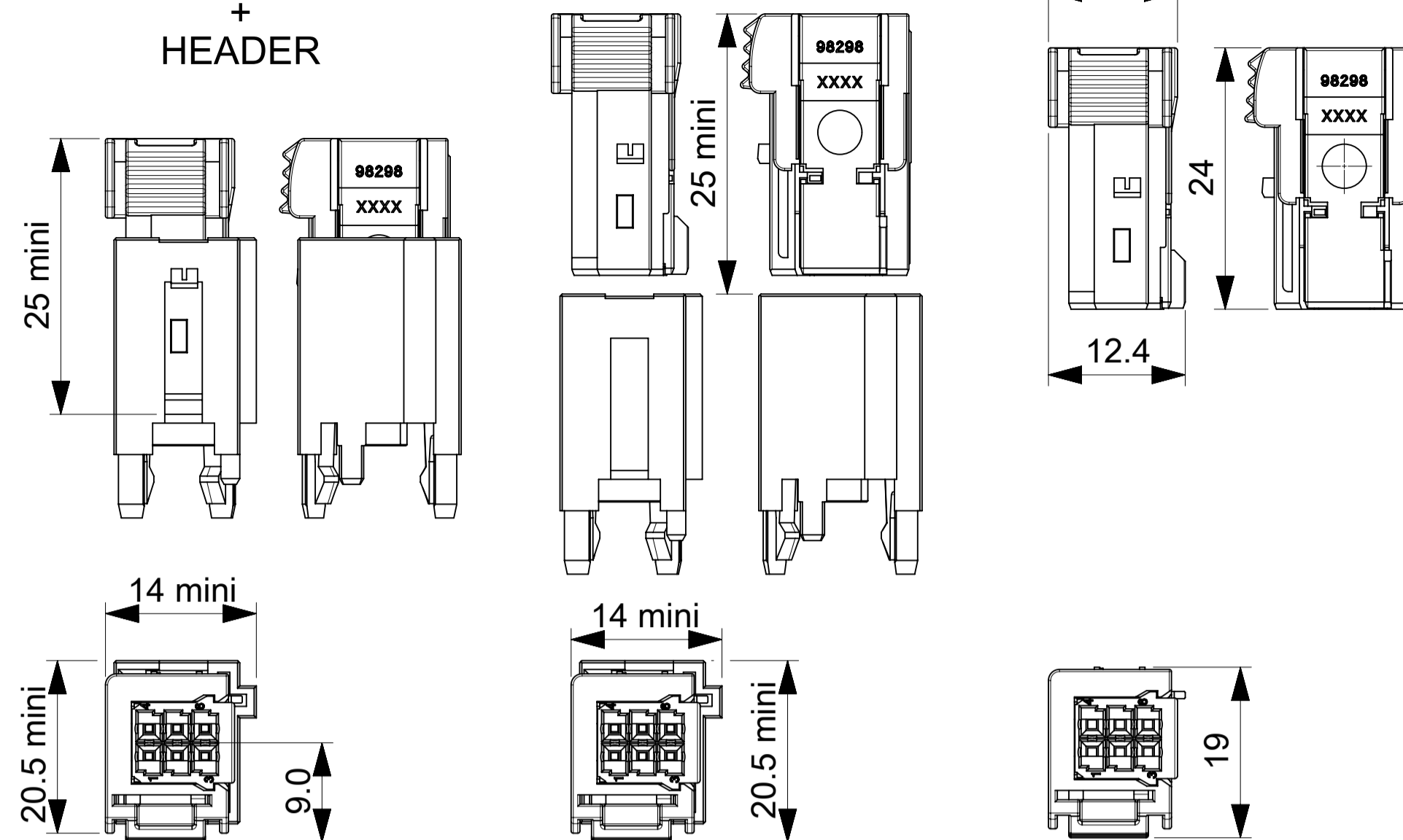


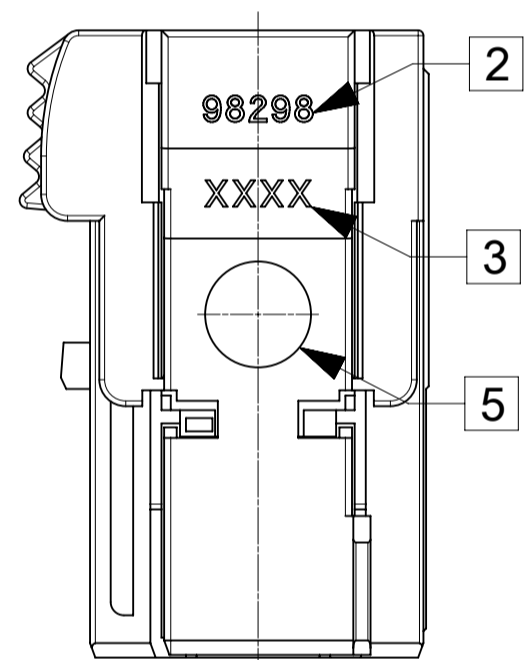
ISOMETRIC VIEWS



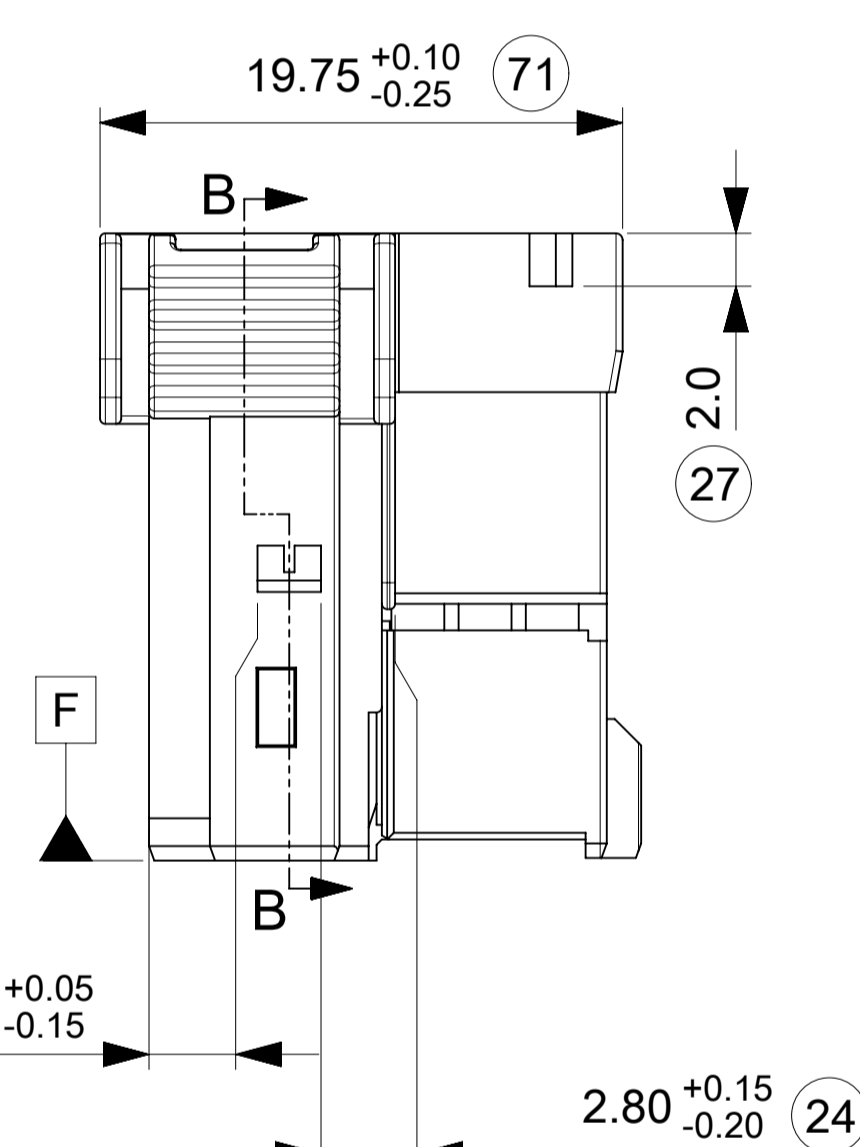
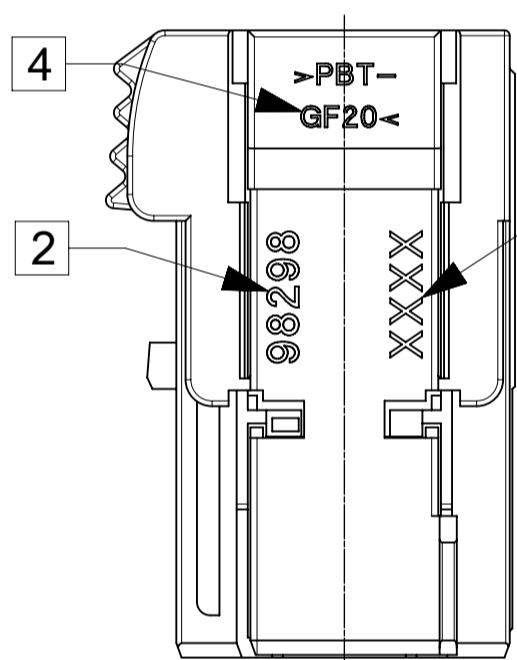
OVERALL DIMENSIONS
2x3 WAY BREAKABLE
+
HEADER



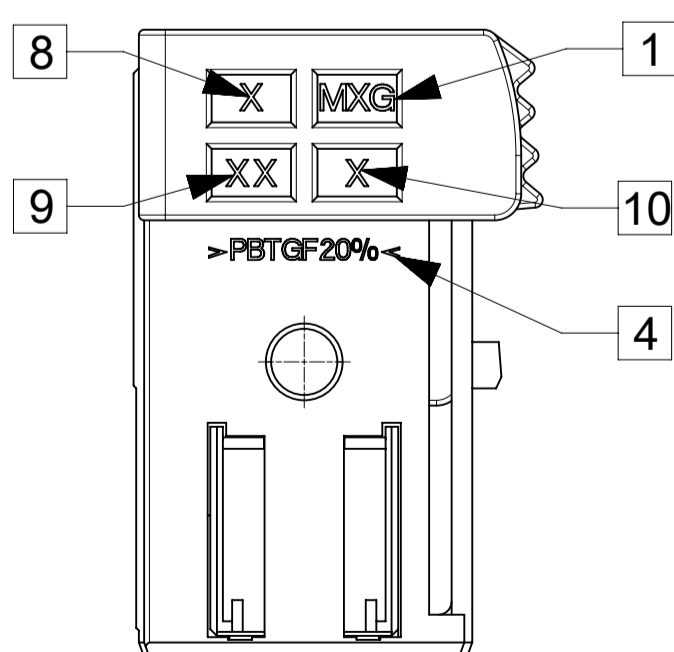
MOLD M1-M2
WIRE VERSION



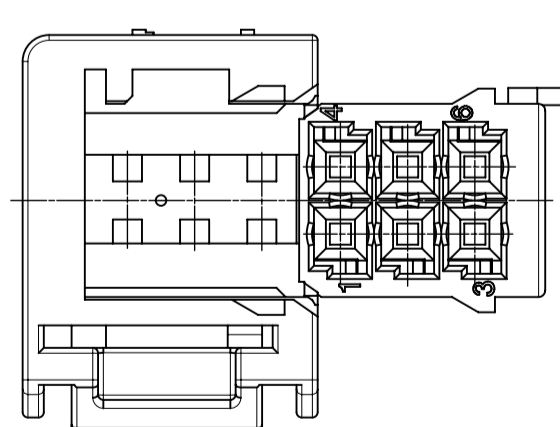
MOLD M3-M4
WIRE VERSION



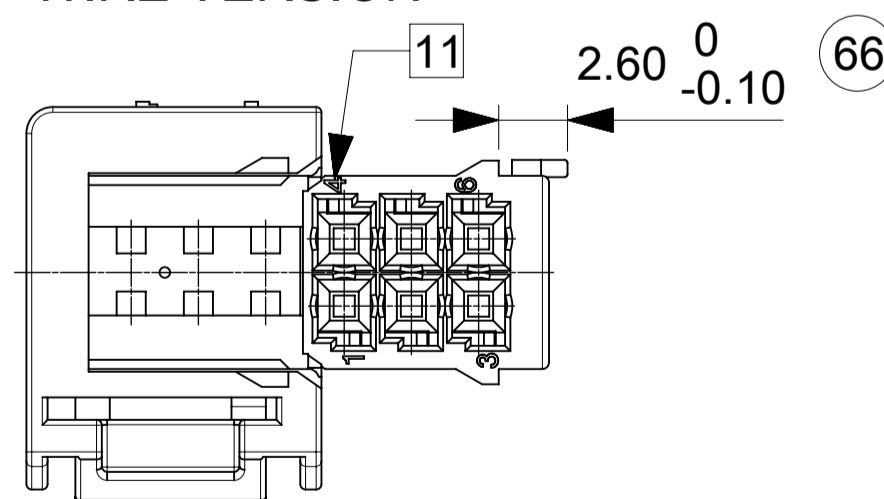
MOLD M1-M2
WIRE VERSION



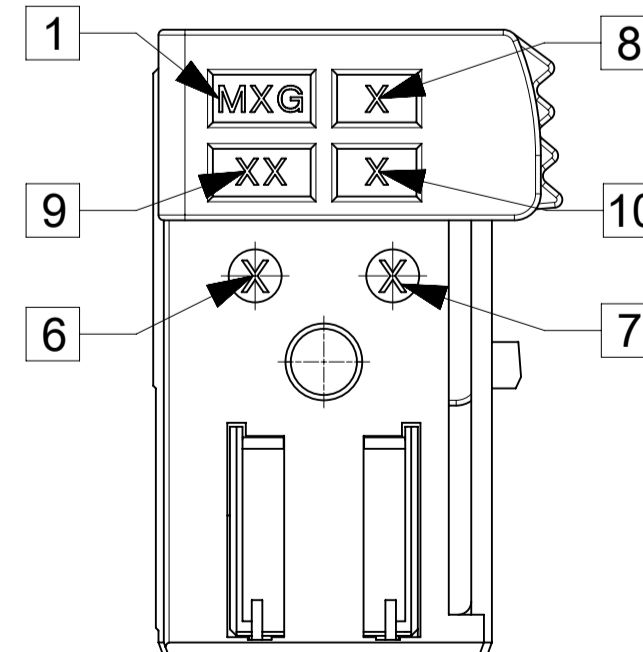
MOLD M3-M4
WIRE VERSION



MOLD M1-M2
WIRE VERSION



MOLD M3-M4
WIRE VERSION



CODING	COLOR	DESCRIPTION	MATERIAL NUMBER
6	BLEU BLUE	BLUE HSG WIRE	0982980006
5	GRIS GREY	GREY HSG WIRE	0982980005
4	MARRON BROWN	BROWN HSG WIRE	0982980004
3	VERTE GREEN	GREEN HSG WIRE	0982980003
2	BLANCHE WHITE	WHITE HSG WIRE	0982980002
1	NOIRE BLACK	BLACK HSG WIRE	0982980001

NOTES:

- 1 * Engineering control ID.
- 2 * Serie number.
- 3 * Part number.
- 4 * Material marking.
- 5 * Date indicator Year / Month.
- 6 * Applied to the Mold M3-M4. Date indicator Year.
- 7 * Applied to the mold M3-M4. Date indicator Month.
- 8 * Mold cavity marking.
- 9 * Mold revision level.
- 10 * MOLEX note.
- 11 * Cavity marking.

THIS DRAWING CONTAINS INFORMATION THAT IS PROPRIETARY TO MOLEX ELECTRONIC TECHNOLOGIES, LLC AND SHOULD NOT BE USED WITHOUT WRITTEN PERMISSION

FUNCTIONAL SYMBOLS	DIMENSION UNITS	SCALE	CURRENT REV DESC: SEE TABLE OF MODIFICATIONS
$\nabla_A = 0$	mm	3.5:1	
$\nabla_C = 0$	GENERAL TOLERANCES (UNLESS SPECIFIED)		
$\nabla_P = 9$	MM	INCH	
DIVISIONAL SYMBOLS	4 PLACES	±	EC NO: 682793
	3 PLACES	±	DRWN: YPUTTUR
	2 PLACES	± 0.05	2019/11/18
	1 PLACE	± 0.1	2021/11/08
	0 PLACES	±	2021/11/08
	ANGULAR TOL	± 1.0°	INITIAL REVISION:
			DRWN: PGRANDCL
			2001/08/16
			2001/08/22
	DRAFT WHERE APPLICABLE MUST REMAIN WITHIN DIMENSIONS	FIRST ANGLE PROJECTION	DRAWING SERIES
			A1-SIZE 98298

molex			
6 WAY MOX OR 2X3 WAY BREAKABLE			
PRODUCT CUSTOMER DRAWING			
DOCUMENT NUMBER	DOC TYPE	DOC PART	REVISION
SD-98298-002	PSD	001	G1
MATERIAL NUMBER	CUSTOMER	SHEET NUMBER	
SEE CHART	GENERAL MARKET	1 OF 2	

G1	Remastered in ECTR marking ID 8, 9 and 10 corrected in view "MOLD M3-M4"	RMV02	See title block
G	Add view : mold M3-M4 (see D16)	PBO	09/10/23
F	<p>Addition of the Molds M3 and M4. Update breakable areas on M1-M2.</p> <p>Pos. 24: 2.80 +0.15/-0.20 was 2.80 +0.15/-0.05. Pos. 28: 7.25 +0.05/-0.25 was 7.25 ±0.05. Pos. 33: 7.35 ±0.10 was 7.35 ±0.05. Pos. 34: 15.3 +0.1/-0.2 was 15.26 +0.10/-0.15. Pos. 35: 12.70 +0.20/-0.05 was 12.70 ±0.05. Pos. 36: 12.10 +0.15/-0.05 was 12.10 ±0.05. Pos. 37: 0.30 was 0.10. Pos. 45: 7.20 +0.05/-0.25 was 7.20 ±0.05. Pos. 47: 8.80 +0.05/-0.10 was 8.80 ±0.05. Pos. 48: 9.30 +0.05/-0.15 was 9.30 ±0.05. Pos. 71: 19.75 +0.10/-0.25 was 19.75 ±0.10. Pos. 82: 0.65 ±0.10 was 0.65 ±0.05.</p> <p>Added Locking nose level dim. Pos. 45-47-48. Added At the reference plane F dim. Pos. 35-36. Added To be measured on the close part dim. Pos. 28-33. Added 10.15 Locking nose level. Added Datum line F. Added pos. 84. Added notes.</p>	PGR	07/05/03
E1	Dim rep43 becomes 2.30 0/-0.2mm, it was 2.10±0.05mm. Symetry dimension rep44 becomes 0.2mm, it was 0.1mm.	LST	05/10/03
E	<p>Update views.</p> <p>Pos23: 4.10 +0.05/-0.15 was 4.10 ±0.05. Pos24: 2.80 +0.15/-0.05 was 2.80 ±0.05. Pos34: 15.26 +0.10/-0.15 was 15.26±0.10.</p>	PGR	05/06/17
D	Update views	MRI	04/10/11
C	Addition coding 5 and 6	MRI	03/12/16
B	Update coding	PGR	02/07/24
A	Preliminary issue for customer	PPO	02/06/28
REV	DESCRIPTION	NAME	DATE
MODIFICATION			

FUNCTIONAL SYMBOLS	THIS DRAWING CONTAINS INFORMATION THAT IS PROPRIETARY TO MOLEX ELECTRONIC TECHNOLOGIES, LLC AND SHOULD NOT BE USED WITHOUT WRITTEN PERMISSION																
	FA= 0	DIMENSION UNITS	SCALE	CURRENT REV DESC: SEE TABLE OF MODIFICATIONS							molex						
FC= 0	mm	1:1	GENERAL TOLERANCES (UNLESS SPECIFIED)							6 WAY MOX OR 2X3 WAY BREAKABLE							
FP= 0												MM		INCH		EC NO: 682793	
DIVISIONAL SYMBOLS	4 PLACES ±	±	INITIAL REVISION:							DRWN: YPUTTUR		2021/11/08					
	3 PLACES ±	±								CHK'D: OPLESSIS		2021/11/08		PRODUCT CUSTOMER DRAWING			
	2 PLACES ±	0.05 ±								APPR: FPAROLARI		2021/11/08		DOCUMENT NUMBER		DOC TYPE DOC PART REVISION	
	1 PLACE ±	0.1 ±								DRWN: PGRANDCL		2001/08/16		SD-98298-002		PSD 001 G1	
0 PLACES ±	±	APPR: LSTICKEI		2001/08/22		MATERIAL NUMBER		CUSTOMER		SHEET NUMBER							
ANGULAR TOL ± 1.0 °		DRAFT WHERE APPLICABLE MUST REMAIN WITHIN DIMENSIONS		FIRST ANGLE PROJECTION		DRAWING		SERIES		2 OF 2							
						A1-SIZE		98298		SEE CHART		GENERAL MARKET					

