

DWG. NO. SD-54876-005

F

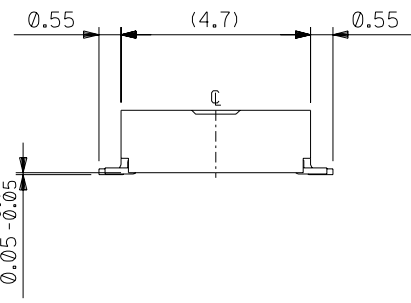
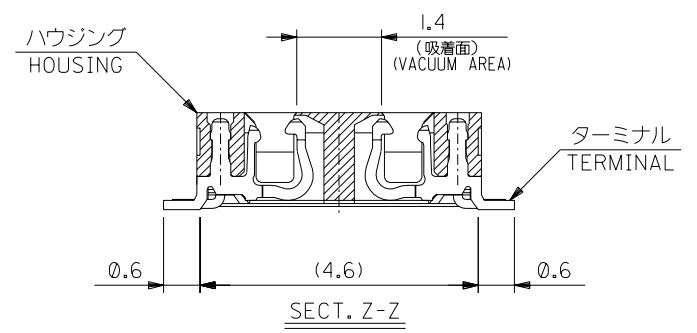
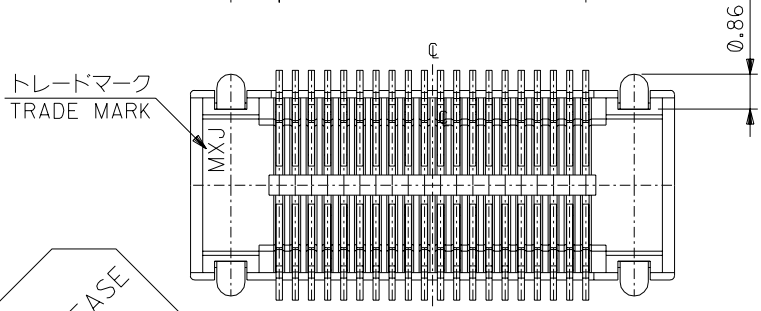
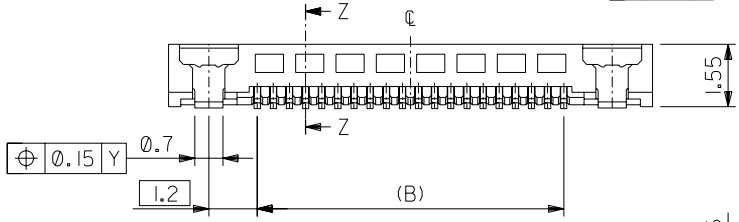
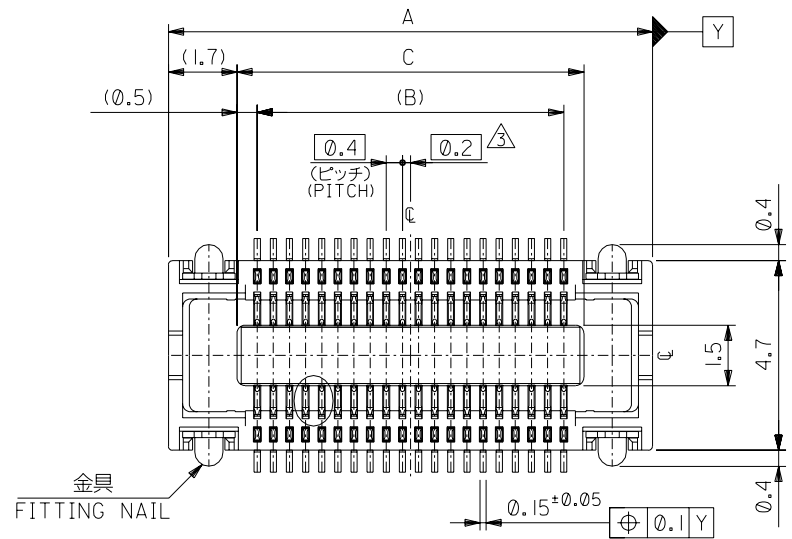
D

V

C

B

DO NOT SCALE DRAWING



無鉛
LEAD FREE

PRE-RELEASE
REFERENCE
USE ONLY

| | | | | |
|------|------|----|--------------|-----|
| 24.6 | 23.6 | 28 | 54876-1203 | 120 |
| 8.6 | 7.6 | 12 | 54876-0403 | 40 |
| C | B | A | MATERIAL NO. | Ck+ |

| | | | | |
|----------------------------------|----------------------------------|----------------------------------|--|--|
| EC NO. DRWN: CHK: APPR: | EC NO. DRWN: CHK: APPR: | EC NO. DRWN: CHK: APPR: | REVISED '03/11/25 EC NO. J2004-1233 DRWN: T.TSUBOI CHK: S.MARUYAMA APPR: M.SASAO | RELEASED '03/07/18 EC NO. J2004-0163 DRWN: R.SUMIYA CHK: T.ITO APPR: T.YAMAGUCHI |
| A | | | | |

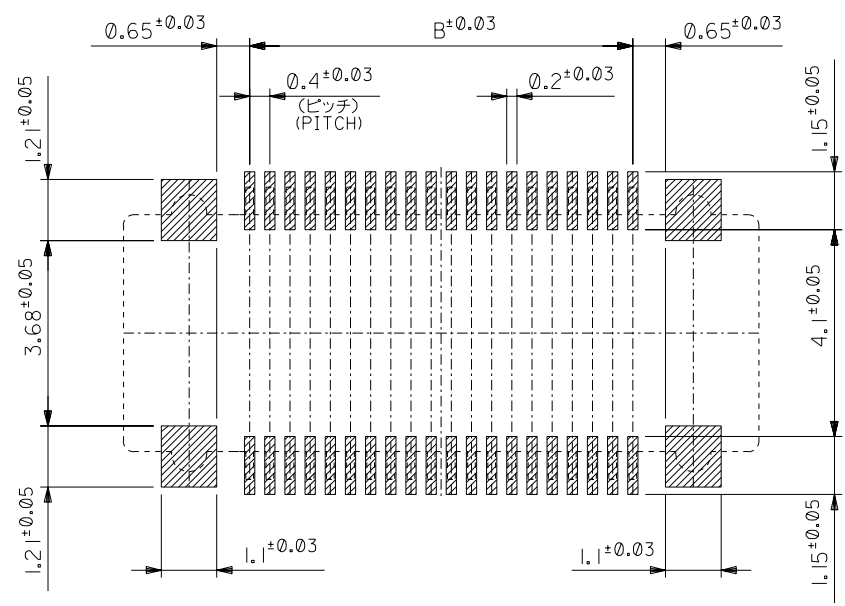
| | |
|----------------------|-------------------|
| MATERIAL 材料 | 注記参照 SEE NOTES |
| FINISH 仕上り | // |
| WIRE RANGE 適用線径範囲 | // |
| INS. RANGE 被覆外径 | // |

| | | |
|---|-------------|--|
| GENERAL TOLERANCES: (UNLESS SPECIFIED) 一般公差 | SCALE // | DESIGN UNITS <input checked="" type="checkbox"/> mm <input type="checkbox"/> INCH |
| 10 UNDER 未満 | ±0.2 | |
| 10 OVER 30 UNDER 以上 未満 | ±0.25 | |
| 30 OVER 以上 | ±0.3 | |
| ANGLE 角度 | ±3° | |

| | | |
|---|--|-----------------------|
| MODEL NO. 54876-***3 | DIMENSIONS: <input type="checkbox"/> mm <input type="checkbox"/> INCH <input checked="" type="checkbox"/> mm ONLY | SHT REV |
| THIRD ANGLE PROJECTION | TITLE: 0.4 B-To-B Rec Hsg Assy WITH Nail (Hg+2.5) [Ni Barrier] | REVISE ON CAD ONLY |
| DRAWN BY & DATE R.SUMIYA '03/07/18 | MATERIAL NO. SD-54876-005 | |
| CHECKED BY & DATE T.ITO '03/07/18 | DRAWING NO. SD-54876-005 | |
| APPROVED BY & DATE T.YAMAGUCHI '03/07/18 | SHEET NO. 1 OF 2 | |
| CAD FILENAME SD-54876-005.S01 | SIZE B | |

THIS DRAWING CONTAINS INFORMATION THAT IS PROPRIETARY TO MOLEX INCORPORATED AND SHOULD NOT BE USED WITHOUT WRITTEN PERMISSION.

SD-54876-005.S01



参考基板レイアウト (マウント面)
P.C. BOARD PATTERN DIMENSION (REFERENCE)
(MOUNTING AREA)

注記 NOTES

- 使用材料 MATERIAL
ハウジング: 液晶ポリマー ガラス充填 UL94V-0 (黒)
HOUSING: LIQUID CRYSTAL POLYMER (GLASS FILLED)
UL94V-0 (COLOR: BLACK)
ターミナル: リン青銅 (t=0.15)
TERMINAL: PHOSPHOR BRONZE (t=0.15)
金具: リン青銅 (t=0.15)
FITTING NAIL: PHOSPHOR BRONZE (t=0.15)
 - メッキ仕様 PLATING
ターミナル TERMINAL
金メッキ 0.1マイクロメートル以上 (コンタクト部)
GOLD 0.1MICROMETER MINIMUM (CONTACT AREA)
金メッキ 0.4マイクロメートル以下 (テール部)
GOLD 0.4MICROMETER MAXIMUM (TAIL AREA)
下地メッキ: ニッケルメッキ 1.5マイクロメートル以上
UNDER PLATING: NICKEL 1.5MICROMETER MINIMUM
*コンタクト部とテール部はニッケルメッキによって分断されている金メッキです。
DIVIDE INTO PARTS THE GOLD PLATING OF THE CONTACT AND THE TAIL PART BY THE NICKEL PLATING.
金具 FITTING NAIL
錫銅メッキ 1.0マイクロメートル以上
TIN-COPPER 1.0MICROMETER MINIMUM
下地メッキ: ニッケルメッキ 1.0マイクロメートル以上
UNDER PLATING: NICKEL 1.0MICROMETER MINIMUM
- △ (全極数/2) = 偶数の場合に適用。
APPLY FOR (CIRCUIT/2) = EVEN
- 嵌合相手: 55686シリーズ
MATE WITH: 55686 SERIES
 - テール平坦度は、0.08以下
テール及び金具の平坦度は、0.1以下
TAIL COPLANARITY TO BE 0.08 MAXIMUM.
TAIL AND FITTING NAIL
COPLANARITY TO BE 0.1 MAXIMUM.

無鉛
LEAD FREE

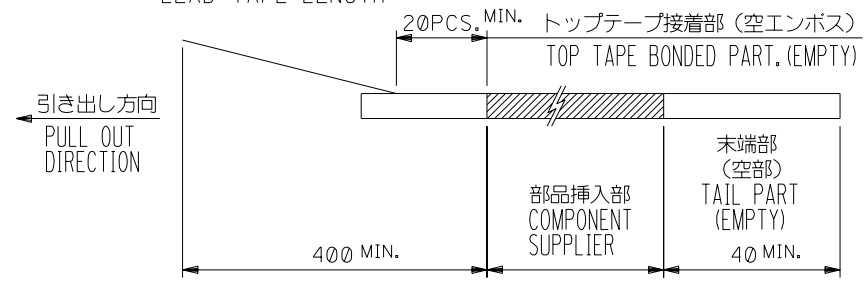
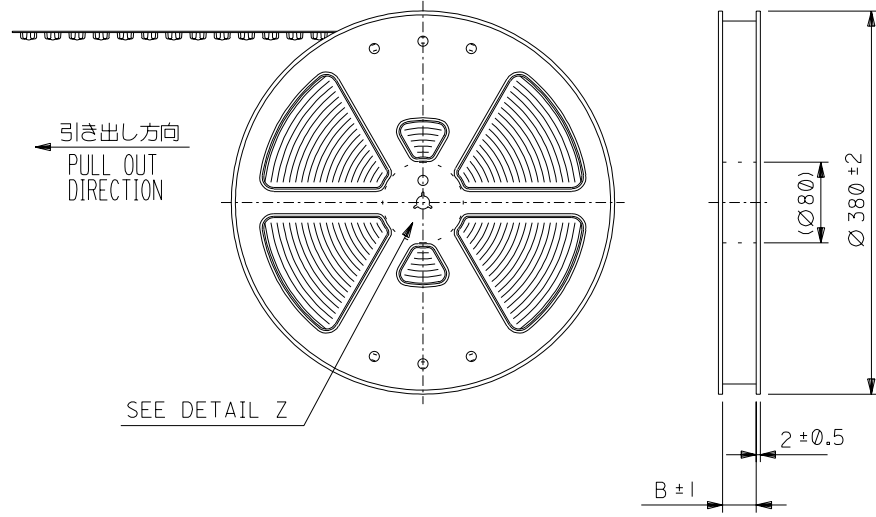
PRE-RELEASE
REFERENCE
USE ONLY

DO NOT SCALE DRAWING

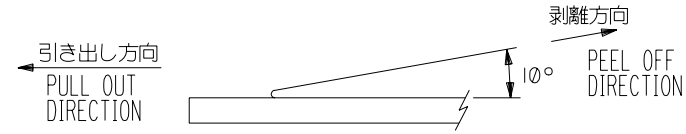
| | | | | | | | | | | | | | |
|--|----------------------------------|----------------------------------|--|---|----------------------|----------------|---|---------------|--|---|--|------------------------------|---------------------|
| EC NO. DRWN: CHK: APPR: | EC NO. DRWN: CHK: APPR: | EC NO. DRWN: CHK: APPR: | REVISED '03/11/25 EC NO. J2004-1233 DRWN: T.TSUBOI CHK: S.MARUYAMA APPR: M.SASAO | REVISED '03/07/18 EC NO. J2004-0163 DRWN: R.SUMIYA CHK: T.ITO APPR: T.YAMAGUCHI | DESCRIPTION | MATERIAL 材料 | GENERAL TOLERANCES: (UNLESS SPECIFIED) 一般公差 | SCALE // | DESIGN UNITS <input checked="" type="checkbox"/> mm <input type="checkbox"/> INCH | MODEL NO. 54876-***3 | DIMENSIONS: <input type="checkbox"/> mm <input type="checkbox"/> INCH <input checked="" type="checkbox"/> mm ONLY | SHT REVISE ON CAD ONLY | REV |
| | | | A | 0 | 注記参照 SEE NOTES | FINISH 仕上げ | 10 UNDER 未満 | 30 OVER 以上 | 30 UNDER 未満 | DRAWN BY & DATE R.SUMIYA '03/07/18 | TITLE: 0.4 B-To-B Rec Hsg Assy WITH Nail (Hg+2.5) [Ni Barrier] | | |
| | | | | | WIRE RANGE 適用線径範囲 | | 30 OVER 以上 | | | CHECKED BY & DATE T.ITO '03/07/18 | MOLEX INCORPORATED | | |
| | | | | | INS. RANGE 被覆外径 | | ANGLE 角度 | | | APPROVED BY & DATE T.YAMAGUCHI '03/07/18 | MATERIAL NO. SEE CHART | DRAWING NO. SD-54876-005 | SHEET NO. 2 OF 2 |
| THIS DRAWING CONTAINS INFORMATION THAT IS PROPRIETARY TO MOLEX INCORPORATED AND SHOULD NOT BE USED WITHOUT WRITTEN PERMISSION. | | | | | | | | | | | SIZE B | | |

注記 NOTES

- 製品詳細寸法については、図面 SD-54876-005 を参照下さい。
PRODUCT'S DETAIL DIMENSIONS, PLEASE REF. SD-54876-005.
- 梱包数量：2000個/リール
PACKAGE SPECIFICATION: 2000 PCS./REEL
- リードテープ長さ
LEAD TAPE LENGTH

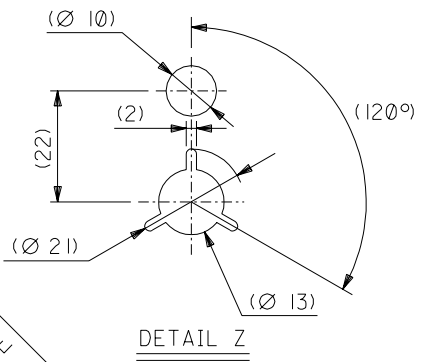


- トップテープの剥離強度：0.1N~0.7N (10.2gf~71.4gf)
(剥離方向は下図参照)
尚、本規格値は出荷時に適用。(但し、輸送時に剥離が発生しないこと。)
PEELING FORCE OF TOP TAPE: 0.1N - 0.7N (10.2gf - 71.4gf)
(PEELING DIRECTION AS SHOWN IN FOLLOWING FIGURE)
THIS REQUIREMENT SHOULD BE APPLIED AT SHIPMENT.
PEEL OFF SHOULD NOT BE ALLOWED, DURING TRANSPORTATION.



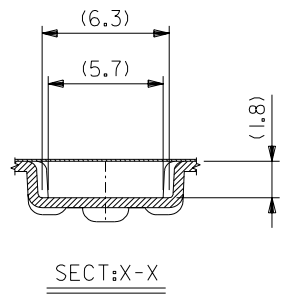
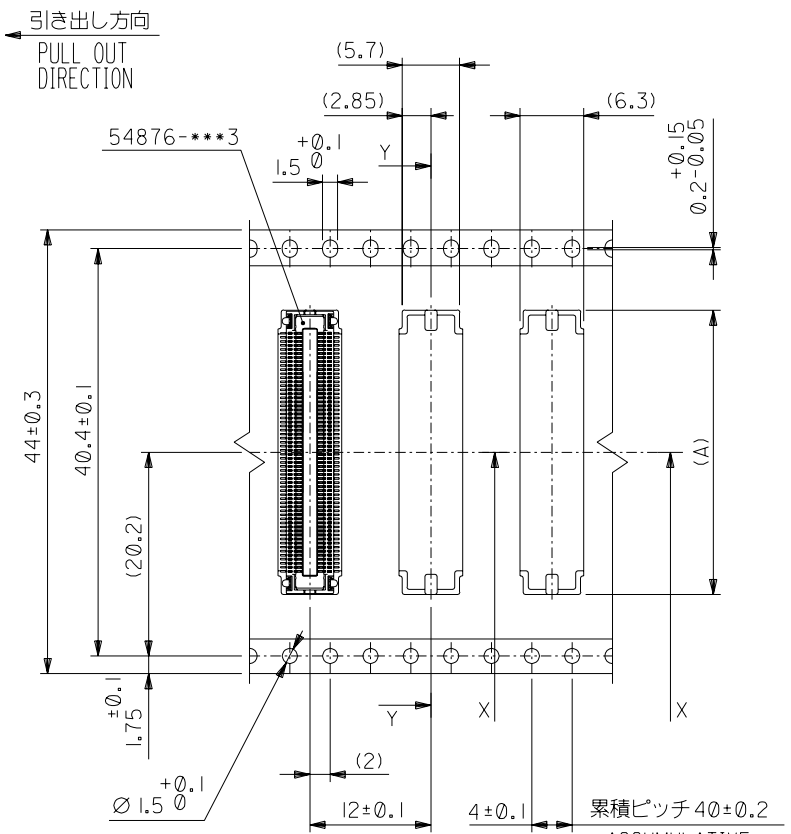
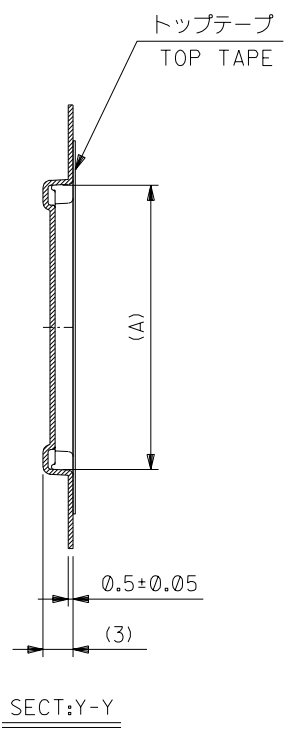
- 材料 (MATERIAL)
キャリアテープ (CARRIER TAPE) : ポリプロピレン (POLYPROPYLENE)
トップテープ (TOP TAPE) : PET, PE, PEF
リール (REEL) : ポリスチレン (POLYSTYRENE) <リサイクル材を含む>
<RECYCLE MATERIAL CONTAINED>

無鉛
LEAD FREE



PRE-RELEASE
REFERENCE
USE ONLY

| | | | | | | | | | | | | | | | | | | | | | |
|----------------------------------|--|----------------------------------|--|----------------------------------|--|--|--|--|--|---|--|---|--|--|--|--|--|--|--|-----------------------|--|
| EC NO. DRWN: CHK: APPR: | | EC NO. DRWN: CHK: APPR: | | EC NO. DRWN: CHK: APPR: | | REVISED '03/11/25 EC NO. J2004-1233 DRWN: T.TSUBOI CHK: S.MARUYAMA APPR: M.SASAO | | RELEASED '03/07/18 EC NO. J2004-0163 DRWN: R.SUMIYA CHK: T.ITO APPR: T.YAMAGUCHI | | MATERIAL 材料 注記参照 SEE NOTES | | GENERAL TOLERANCES: (UNLESS SPECIFIED) 一般公差 | | SCALE // | | MODEL NO. 54876-***4 | | DIMENSIONS: <input type="checkbox"/> mm <input type="checkbox"/> INCH <input checked="" type="checkbox"/> mm ONLY | | SHT REV | |
| EC NO. DRWN: CHK: APPR: | | EC NO. DRWN: CHK: APPR: | | EC NO. DRWN: CHK: APPR: | | A | | 0 | | FINISH 仕上げ // | | 10 UNDER 未満 ±0.2 | | DRAWN BY & DATE R.SUMIYA '03/07/18 | | DESIGN UNITS <input checked="" type="checkbox"/> mm <input type="checkbox"/> INCH | | THIRD ANGLE PROJECTION | | REVISE ON CAD ONLY | |
| EC NO. DRWN: CHK: APPR: | | EC NO. DRWN: CHK: APPR: | | EC NO. DRWN: CHK: APPR: | | A | | 0 | | WIRE RANGE 適用 被覆範囲 // | | 10 OVER 30 UNDER 未満 ±0.25 | | CHECKED BY & DATE T.ITO '03/07/18 | | TITLE: 0.4 B-To-B Rec Assy (Hgt=2.5) [Ni Barrier] Embstp Pkg | | MOLEX MOLEX INCORPORATED | | SHEET NO. 1 OF 3 | |
| EC NO. DRWN: CHK: APPR: | | EC NO. DRWN: CHK: APPR: | | EC NO. DRWN: CHK: APPR: | | A | | 0 | | INS. RANGE 被覆外径 // | | 30 OVER 以上 ±0.3 | | APPROVED BY & DATE T.YAMAGUCHI '03/07/18 | | MATERIAL NO. SEE CHART | | DRAWING NO. SD-54876-006 | | SIZE B | |
| EC NO. DRWN: CHK: APPR: | | EC NO. DRWN: CHK: APPR: | | EC NO. DRWN: CHK: APPR: | | A | | 0 | | ANGLE 角度 ±3° | | CAD FILENAME SD-54876-006.S01 | | THIS DRAWING CONTAINS INFORMATION THAT IS PROPRIETARY TO MOLEX INCORPORATED AND SHOULD NOT BE USED WITHOUT WRITTEN PERMISSION. | | EN-02J(097) MXJ-54 | | | | | |



44mm幅キャリアテープ
44mm WIDTH CARRIER TAPE

無鉛
LEAD FREE

| | | | | |
|--------------------------------|--|------|---|--------------------|
| 44 | 44.4 | 28.2 | 54876-1204 | 120 |
| キャリアテープ幅 CARRIER TAPE WIDTH | B | (A) | MATERIAL NO. | 極数 CKT. |
| MODEL NO. | 54876-***4 | | DIMENSIONS: | SHT REV |
| DESIGN UNITS | <input type="checkbox"/> THIRD ANGLE PROJECTION <input type="checkbox"/> mm <input type="checkbox"/> INCH <input checked="" type="checkbox"/> mm ONLY | | <input type="checkbox"/> mm <input type="checkbox"/> INCH <input checked="" type="checkbox"/> mm ONLY | REVISE ON CAD ONLY |

PRE-RELEASE
REFERENCE
USE ONLY

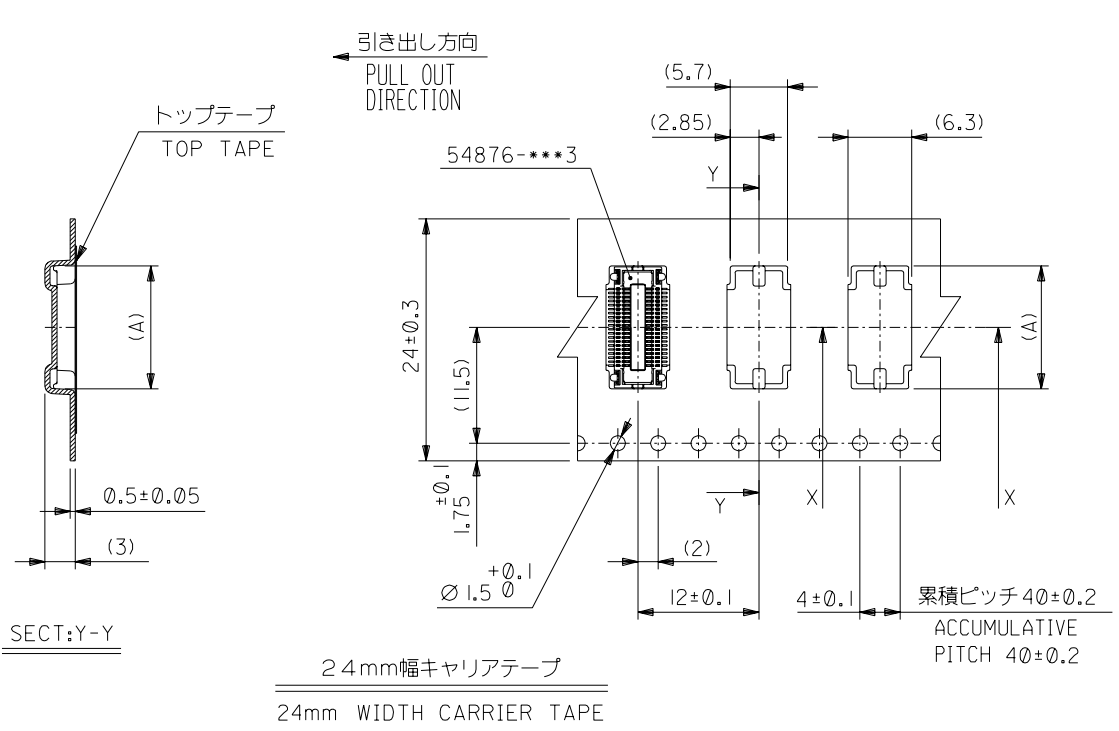
| | | | | | | | | | | | | | | | |
|----------------------------------|----------------------------------|----------------------------------|--|--|--|-------------------------------------|---|----------|--|---------------------------------------|--|----------------------------------|---------------------------|-----------------------------|---------------------|
| EC NO. DRWN: CHK: APPR: | EC NO. DRWN: CHK: APPR: | EC NO. DRWN: CHK: APPR: | REVISED '03/11/25 EC NO. J2004-1233 DRWN: T.TSUBOI CHK: S.MARUYAMA APPR: M.SASAO | RELEASED '03/07/18 EC NO. J2004-0163 DRWN: R.SUMIYA CHK: T.ITO APPR: T.YAMAGUCHI | DESCRIPTION MATERIAL 材料 FINISH 仕上げ WIRE RANGE 適用線径範囲 INS. RANGE 被覆外径 | 注記参照 SEE NOTES // // // | GENERAL TOLERANCES: (UNLESS SPECIFIED) 一般公差 | SCALE // | DESIGN UNITS <input checked="" type="checkbox"/> mm <input type="checkbox"/> INCH | DRAWN BY & DATE R.SUMIYA '03/07/18 | TITLE: 0.4 B-To-B Rec Assy (Hgt=2.5) [Ni Barrier] Embstp Pkg | CAD FILENAME SD-54876-006.S02 | MATERIAL NO. SEE CHART | DRAWING NO. SD-54876-006 | SHEET NO. 3 OF 3 |
| | | | A | 0 | REV | | | | | | | | | | |

THIS DRAWING CONTAINS INFORMATION THAT IS PROPRIETARY TO MOLEX INCORPORATED AND SHOULD NOT BE USED WITHOUT WRITTEN PERMISSION.

DO NOT SCALE DRAWING

SD-54876-006.S02

DWG. NO. SD-54876-006



無鉛
LEAD FREE

PRE-RELEASE
REFERENCE
USE ONLY

| | | | | |
|--------------------------------|------|------|--------------|------------|
| 24 | 24.4 | 12.2 | 54876-0404 | 40 |
| キャリアテープ幅 CARRIER TAPE WIDTH | B | (A) | MATERIAL NO. | 極数 CKT. |

| | | | | |
|--------------|--|------------------------|---|---|
| MODEL NO. | 54876-***4 | DIMENSIONS: | SHT | REV |
| DESIGN UNITS | <input checked="" type="checkbox"/> mm <input type="checkbox"/> INCH | THIRD ANGLE PROJECTION | <input type="checkbox"/> mm <input type="checkbox"/> INCH | <input checked="" type="checkbox"/> mm ONLY |

| | | | | | | | | | | | |
|----------------------------------|----------------------------------|----------------------------------|----------------------------------|--|-------------------------------------|---|-------------|--|---|--|---------------------|
| EC NO. DRWN: CHK: APPR: | EC NO. DRWN: CHK: APPR: | EC NO. DRWN: CHK: APPR: | EC NO. DRWN: CHK: APPR: | REVISED '03/11/25 EC NO. J2004-1233 DRWN: T.TSUBOI CHK: S.MARUYAMA APPR: M.SASAO | MATERIAL 材料 注記参照 SEE NOTES | GENERAL TOLERANCES: (UNLESS SPECIFIED) 一般公差 | SCALE // | DESIGN UNITS <input checked="" type="checkbox"/> mm <input type="checkbox"/> INCH | DRAWN BY & DATE T.TSUBOI '03/11/25 | TITLE: 0.4 B-To-B Rec Assy (Hgt=2.5) [Ni Barrier] Embstp Pkg | |
| | | | | A | FINISH 仕上げ // | 10 UNDER 未満 ±0.2 | | | CHECKED BY & DATE S.MARUYAMA '03/11/25 | MOLEX MOLEX INCORPORATED | |
| | | | | | WIRE RANGE 適用線径範囲 // | 10 OVER 30 UNDER 以上 未満 ±0.25 | | | APPROVED BY & DATE M.SASAO '03/11/25 | | |
| | | | | | INS. RANGE 被覆外径 // | 30 OVER 以上 ±0.3 | | | CAD FILENAME SD-54876-006.S03 | | |
| | | | | | | ANGLE 角度 ±3° | | | MATERIAL NO. SEE CHART | DRAWING NO. SD-54876-006 | SHEET NO. 2 OF 3 |

THIS DRAWING CONTAINS INFORMATION THAT IS PROPRIETARY TO MOLEX INCORPORATED AND SHOULD NOT BE USED WITHOUT WRITTEN PERMISSION.

DO NOT SCALE DRAWING

SD-54876-006.S03