

THIS COPY IS PROVIDED ON A RESTRICTED BASIS AND IS NOT TO BE USED IN ANY WAY DETRIMENTAL TO THE INTERESTS OF PANDUIT CORP.

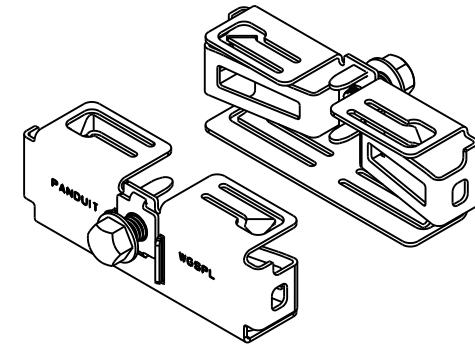
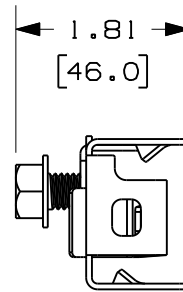
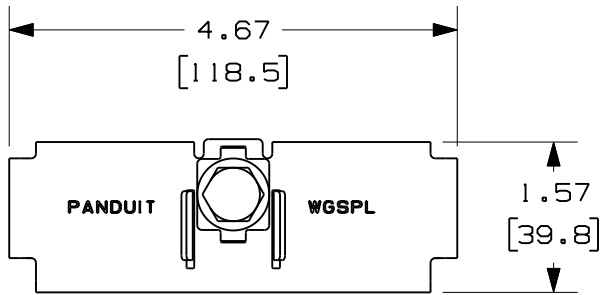
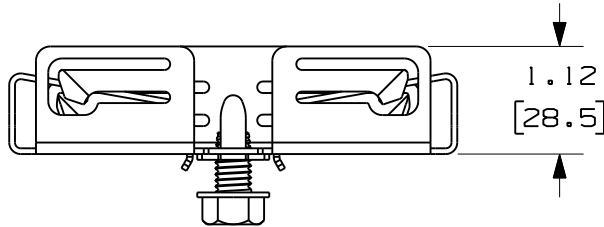
PANDUIT PART NUMBER	APPROXIMATE WEIGHT OF A PAIR OF SPLICE CONNECTORS
WGSPL1218	.68 lb (307g)

NOTES:

1. SEE CURRENT CATALOG FOR ADDITIONAL PART SUFFIXES TO INDICATE PACKAGE QUANTITY.
2. THE WYR-GRID SPLICE CONNECTOR IS USED TO CONNECT WYR-GRID PATHWAY SECTIONS END TO END TO CREATE A CONTINUOUS PATHWAY.
3. THE WYR-GRID SPLICE CONNECTOR PACKAGE CONTAINS A PAIR OF SPLICES CONNECTORS.

EACH SPLICE CONNECTOR CONSISTS OF:  
 ONE (1) WYR-GRID SPLICE CONNECTOR  
 ONE (1) 3/8-16 X 5/8 HEX HEAD WASHER  
 HEAD TAPPING SCREW (GREEN)

4. DIMENSIONS IN PARENTHESES ARE METRIC.



EACH WGSPL1218 PACKAGE CONTAINS A PAIR OF THE ABOVE ASSEMBLY.

CAD FILENAME/LAYERS 09D017AF\_DC\_WGSPL/02A

**PANDUIT** CORP. TINLEY PARK, ILLINOIS  
 WYR-GRID SPLICE CONNECTOR  
 FOR 12" & 18" WIDTHS (WGSPL1218)  
 CUSTOMER DRAWING

UNLESS OTHERWISE SPECIFIED,  
 DIMENSIONAL TOLERANCES ARE:  
 (.X) ± (XXX) ±  
 (.XX) ±.05 (1.3) ANGLES ±

UNLESS OTHERWISE SPECIFIED,  
 ALL DIMENSIONS ARE GIVEN  
 IN INCHES, THIRD ANGLE PROJECTION.

DRAWN BY  
 JCST

MAT'L:

SCALE .5X

DATE  
 05/19/10

STEEL

DRAWING NO.

DWG

CHK'D  
 DWW

09D017AF-DC

A  
 SIZE

REV	DATE	BY	CHK	DESCRIPTION	ECN	R	CUST	SUP
R	5/19/10	JCST	DWW	DRAWING RELEASED	-----	--		