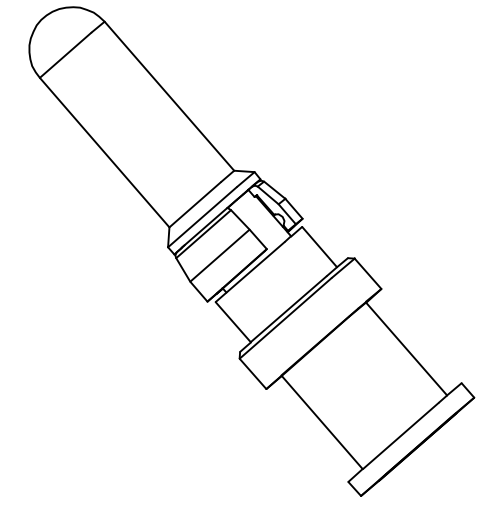
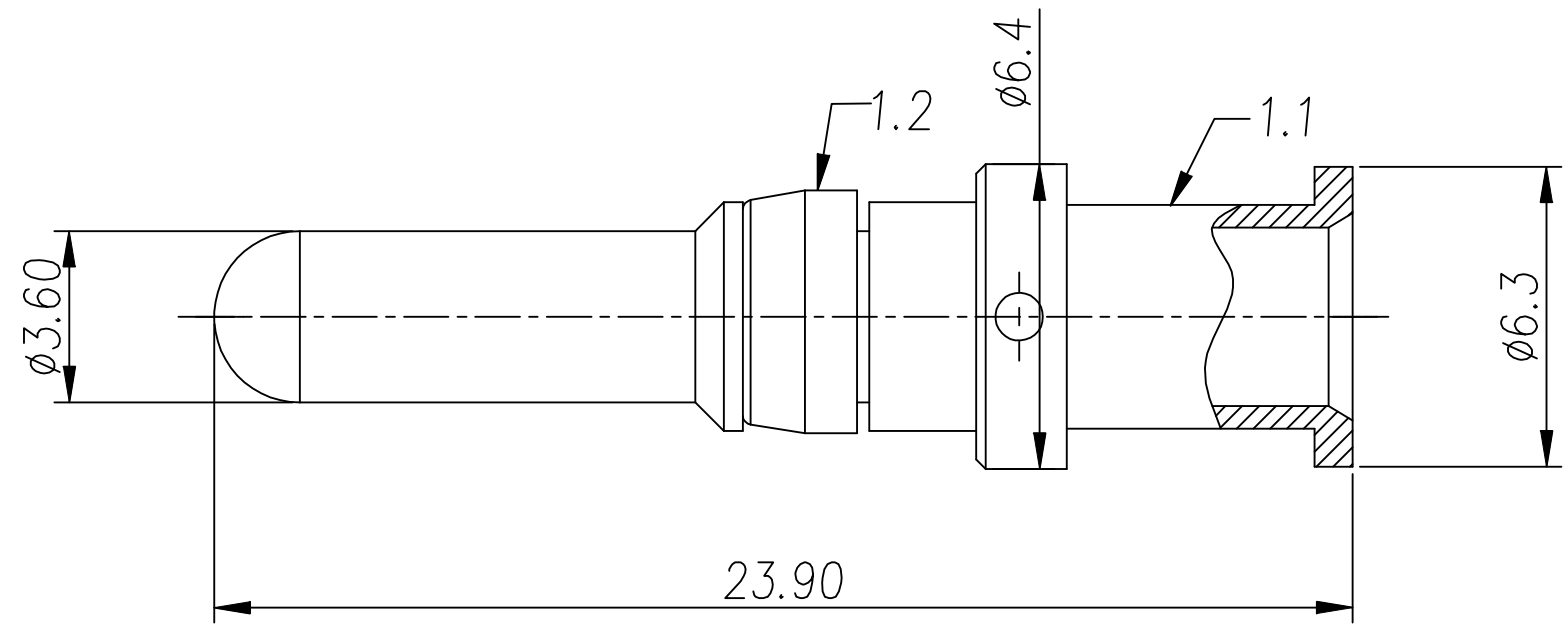


FOR eco|mate® Aquarius™ 14-03 LAYOUT CONNECTORS

REVISIONS					
REV	ECO	DESCRIPTION	DATE	BY	APPR
A1	-	RELEASED DRAWING	Jan-17-2018	Nick	TOMMY
A2	-	UPDATE DRAWING	Jan-19-2018	Nick	TOMMY



P/N	WIRE RANGE	CONTACT PLATING(MATING AREA)
MP10A23S-25	1.5-2.5mm <sup>2</sup>	SILVER PLATING OVER NICKEL.
MP10A23F-25	1.5-2.5mm <sup>2</sup>	GOLD FLASH PLATING OVER NICKEL.
MP10A23S-63	4-6mm <sup>2</sup>	SILVER PLATING OVER NICKEL.
MP10A23F-63	4-6mm <sup>2</sup>	GOLD FLASH PLATING OVER NICKEL.

NOTES: (UNLESS OTHERWISE SPECIFIED)

- MATERIAL:
  - CONTACT BODY: COPPER ALLOY.
  - POSITIONING CLIP: COPPER ALLOY.
- SPECIFICATIONS:
  - CURRENT RATING: 45A(MAX).
  - TERMINATION TYPE: CRIMPING.
  - WIRE RANGE: SEE TABLE.
- SUITABLE CONTACT: MS10A23\*-25 & MS10A23\*-63.
- RoHS COMPLIANT.
- ALL DIMENSIONS ARE FOR REFERENCE USE ONLY.

QUANTITY	PART NUMBER	DESCRIPTION	ITEM
<b>MATERIALS LIST</b>			
<b>UNLESS OTHERWISE SPECIFIED</b> 1) All dimensions are in metric(mm). 2) Tolerances are as follows: 1 PL DEC ±0.30 2 PL DEC ±0.15 3 PL DEC ±0.08 3) Note reference =		<b>SIGNATURES</b> DRAWN: Nick CHECKED: Tod ENGINEER: APPROVAL: Tommy DATE: Jan-19-2018	<b>DATE</b> Jan-19-2018
<b>MATERIAL SPECIFICATIONS:</b>		<b>CUSTOMER:</b> THIS DRAWING IS SUPPLIED FOR INFORMATION ONLY. DESIGN FEATURES, SPECIFICATIONS AND PERFORMANCE DATA SHOWN HEREON ARE THE PROPERTY OF THE AMPHENOL CORPORATION. NO RIGHTS OF REPRODUCTION ARE IMPLIED. ALL DIMENSIONS ARE SUBJECT TO NORMAL MANUFACTURING VARIATIONS.	
<b>PROCESS SPECIFICATIONS:</b>		<b>SIZE TYPE</b> B C-	
<b>NEXT ASSY:</b>		<b>DWG NO:</b> MP10A23*-25/63	
		<b>REVISION</b> A2	
		SCALE: NONE	
		SHEET 1 OF 1	

TITLE: ECO-MATE,PIN CONTACT MACHINE  
 DWG NO: MP10A23\*-25/63  
 REV: A2  
 SH: 1  
 OF: 1