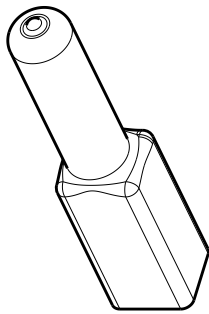
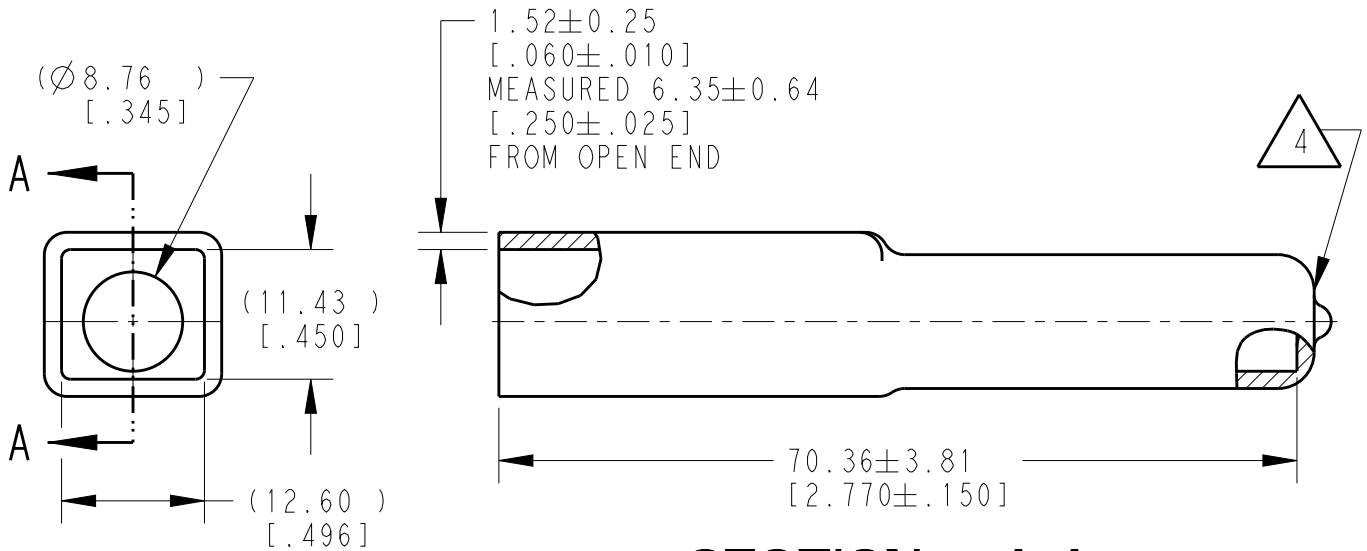


REVISIONS

P	LTR	DESCRIPTION	DATE	DWN	APVD
	A	NEW RELEASE PER ECO-14-008753	10JUN2014	DM	DM
	A1	REVISED PER PCN E-18-003793	03MAY2018	JA	DM
	A2	REVISED PER PCN E-19-009112	10JUN2019	JA	IG



SCALE 3:4



4 SMALL MATERIAL EXTENSION IS ACCEPTABLE ON THIS END ALL AROUND.

3. THIS ACCESSORY PART IS PROVIDED WITHOUT TYPICAL TRANSPORTATION INDUSTRY PROCESS CONTROLS. NO VALIDATION TESTING HAS BEEN PERFORMED. CUSTOMER IS RESPONSIBLE FOR DETERMINING PRODUCT PERFORMANCE AND SUITABILITY FOR APPLICATION.
2. TEMPERATURE RATING: -29°C TO +100°C [-20°F TO +212°F].
1. THIS PART IS USED ON DT04-2P RECEPTACLES WITH ANY MODIFICATION THAT DOES NOT INCLUDE AN END CAP.

NOTES:

TE INTERNAL PN	DEUTSCH PN
DT2P-BT-BK	DT2P-BT-BK

2019

RELEASED FOR PUBLICATION

THIS DRAWING IS UNPUBLISHED.

ALL RIGHTS RESERVED.

BY TE CONNECTIVITY

© COPYRIGHT 2014

DIMENSIONS:	
MM [INCH]	
TOLERANCES UNLESS OTHERWISE SPECIFIED:	
0 PLC	±
1 PLC	±
2 PLC	±0.63 [.025]
3 PLC	±
4 PLC	±
ANGLES	±5°

DWN	D.MEYER	10JUN2014
CHK	R.MESSENGER	10JUN2014
APVD	D.MEYER	10JUN2014
PRODUCT SPEC	-	
APPLICATION SPEC	-	
WEIGHT	4.75 g	
CUSTOMER DRAWING		

MATERIAL	PVC	FINISH	BLACK
TE Connectivity			
NAME			
BOOT, RECEPTACLE, 2PIN DT SERIES			
SIZE	CAGE CODE	DRAWING NO	RESTRICTED TO
A4	4AFU8	©-DT2P-BT-BK	-
SCALE		SHEET	REV
3:2		1 OF 1	A2