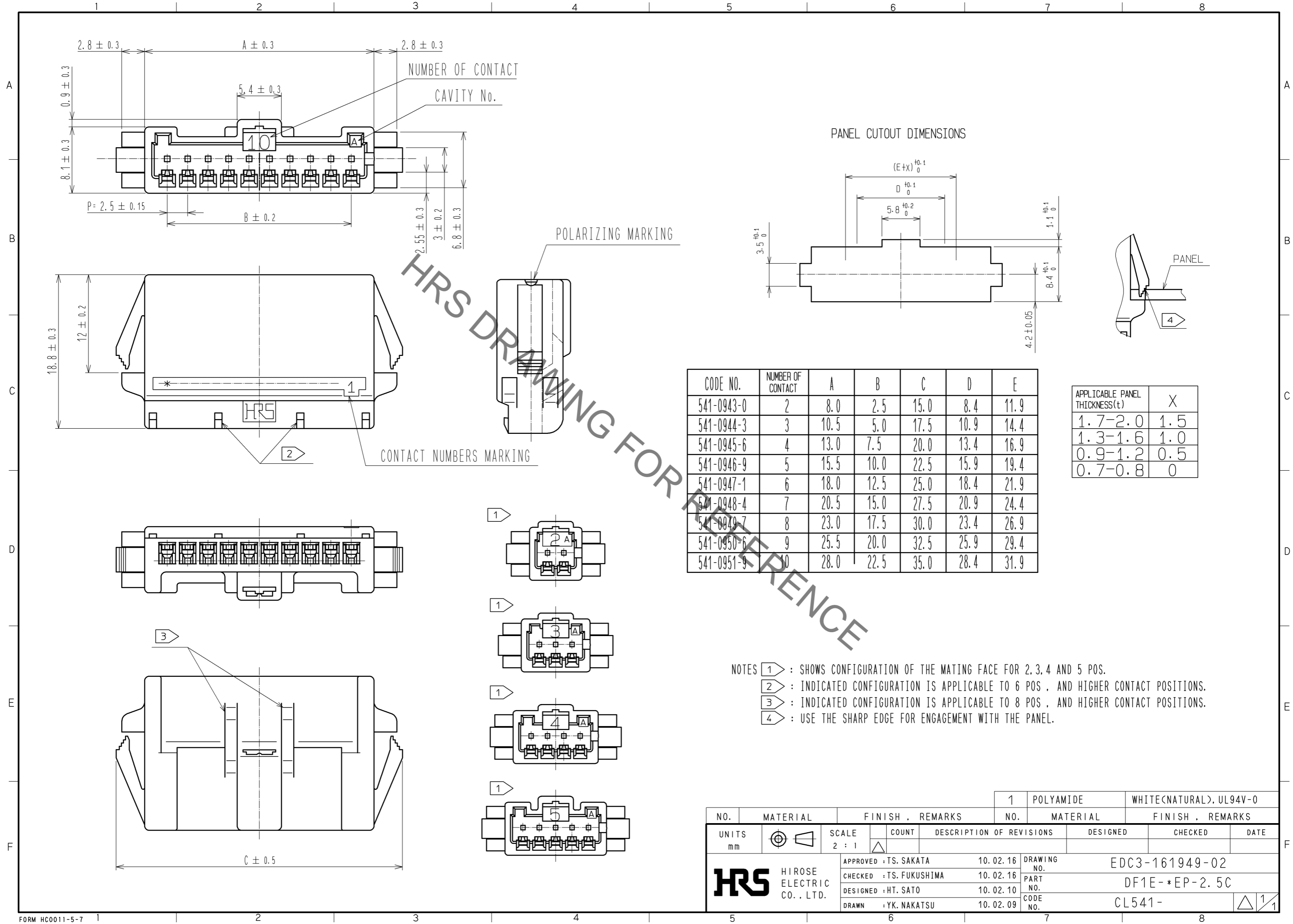


Jul.1.2019 Copyright 2019 HIROSE ELECTRIC CO., LTD. All Rights Reserved.
 In case of consideration for using Automotive equipment / device which demand high reliability, kindly contact our sales window correspondents.



NO.	MATERIAL	FINISH . REMARKS	NO.	MATERIAL	FINISH . REMARKS
1	POLYAMIDE			WHITE(NATURAL), UL94V-0	

UNITS	SCALE	COUNT	DESCRIPTION OF REVISIONS	DESIGNED	CHECKED	DATE
mm	2 : 1	△				

APPROVED : TS. SAKATA	10.02.16	DRAWING NO.	EDC3-161949-02
CHECKED : TS. FUKUSHIMA	10.02.16	PART NO.	DF1E-*EP-2.5C
DESIGNED : HT. SATO	10.02.10	CODE NO.	CL541-
DRAWN : YK. NAKATSU	10.02.09		