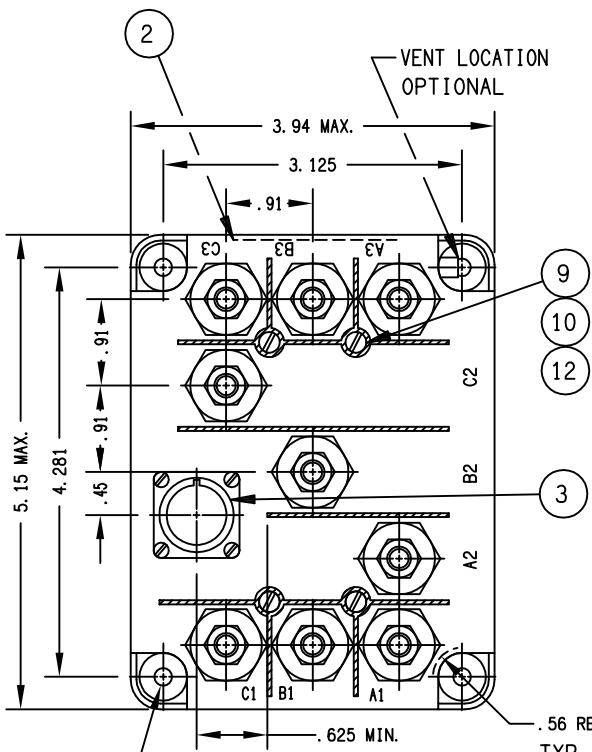


REVISIONS			RELEASED	
REV	DESCRIPTION	DATE	APPROVED	
H	22814	ITEM 1 WAS 16043-001	93/02/18	WS
J	23017	REDRAWN, REMOVE KEYS	93/03/04	WS
K	35412	FIND NO 16 39529-032 REMOVED	98/04/23	RS
L	42614	FIND NO. 10 WAS 51701-310	00/06/02	CC
M	10-013121	UPDATED THE COIL TRANSIENT NOTE	10/06/01	CB
N	12-003360	REMOVED OVERLAYS ITEMS 14 & 15	11/10/12	CB



CONSTRUCTION
MAIN CONTACTS
 CONFIGURATION 3PDT SIDESTABLE
 VOLTAGE (NOMINAL) 115/200 VAC 400 HZ
 CURRENT: RES. 135 AMP
 IND. 135 AMP
 MOTOR 80 AMP
 INTERR. 1350 AMP

OPERATE TIME
 CLOSING 50 MILLISECONDS MAX AT 25 VDC
 OPENING 35 MILLISECONDS MAX
 TRANSFER 10 MILLISECONDS MAX AT 30 VDL

AUXILIARY CONTACTS
 CONFIGURATION 4 PDT
 VOLTAGE 28 VDC 115 VAC 400 HZ
 CURRENT: RES. 5 AMP
 IND. 3 AMP
 LAMP 2 AMP

COIL DATA
 DUTY CYCLE CONTINUOUS
 OPERATING VOLTAGE RANGE 18 VDC TO 30 VDC
 NOMINAL COIL VOLTAGE 28 VDC
 PICKUP MAX. 18 VDC
 DROPOUT VOLTAGE 7 VOLTS TO 1 VOLT
 CURRENT: AT 30VDC .33 AMP MAX AT 25°C

ENVIRONMENTAL DATA
 AMBIENT TEMPERATURE -55°C TO +71°C
 VIBRATION PER MIL-E-5400 (50 to 500 HZ) FIGURE 2 CURVE 1V

ACCELERATION
 SHOCK 6 G'S
 ALTITUDE 18 G'S MAX FOR 11 MILLISECONDS
 LIFE ELECTRICAL 50,000 FEET MAX
 LIFE MECHANICAL 50,000 CYCLES MIN.
 WEIGHT, MAX. 100,000 CYCLES MIN.
 3 LBS.

GASKET SEALED, VENTED

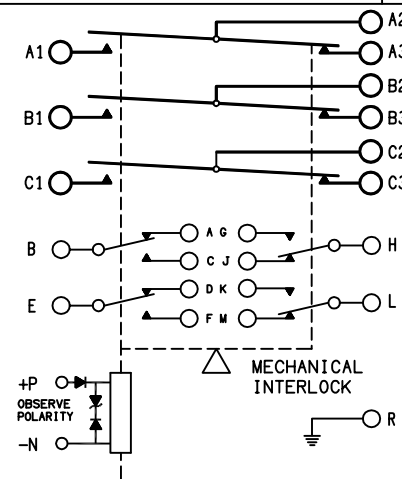
50 MILLISECONDS MAX AT 25 VDC
 35 MILLISECONDS MAX
 10 MILLISECONDS MAX AT 30 VDL

4 PDT
 28 VDC 115 VAC 400 HZ
 5 AMP
 3 AMP
 2 AMP

CONTINUOUS
 18 VDC TO 30 VDC
 28 VDC
 18 VDC
 7 VOLTS TO 1 VOLT
 .33 AMP MAX AT 25°C

-55°C TO +71°C
 PER MIL-E-5400 (50 to 500 HZ)
 FIGURE 2 CURVE 1V

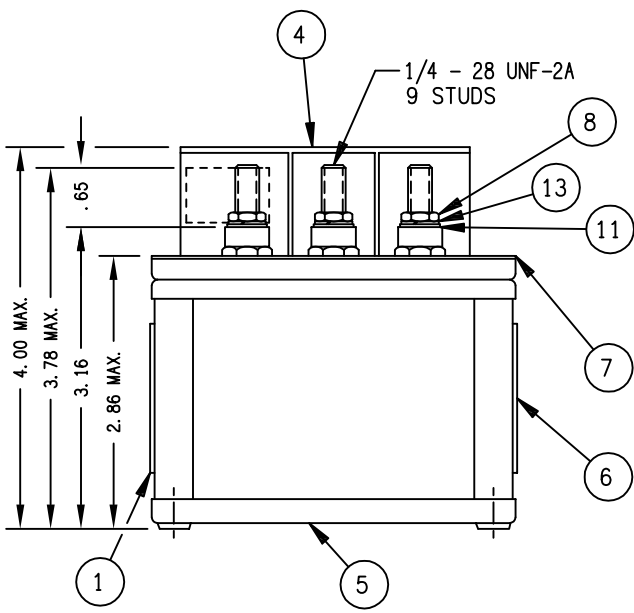
6 G'S
 18 G'S MAX FOR 11 MILLISECONDS
 50,000 FEET MAX
 50,000 CYCLES MIN.
 100,000 CYCLES MIN.
 3 LBS.



NOTES:
 1. THE COIL SHALL BE PROVIDED WITH TRANSIENT SUPPRESSION, LIMIT THE VOLTAGE SPIKE TO ±47 VOLTS

.218^{+0.010}_{-0.005} DIA.
 4 MTG. HOLES

.56 REF. DIA.
 TYP. MTG. HOLE CLEARANCE



15					
14					
13	9	51807-034	WASHER- LOCK NO. 1/4 SPLIT	MS35338-101	BRONZE
12	4	51805-011	WASHER- LOCK NO. 5 SPLIT		BRONZE
11	9	51703-064	WASHER- FLAT 1/2 X 17/64 X .031	AN9608416L	BRASS
10	4	51701-180	WASHER- FLAT 3/16 X .103 X .015		MYLAR
9	4	51205-771	SCREW, 5-40 X 1 1/4 RD. HD.		BRASS
8	9	50407-364	NUT 1/4-28 X 7/16 X 3/16 HEX	MS35650-3255S	BRASS
7	1	34498-001	PLATE-BASE COVER		
6	1	34497-001	PLATE- SCHEMATIC DIAGRAM		
5	1	34495-020	CONTACTOR ASSEMBLY- PRI.		
4	1	30844-001	TERMINAL- SHIELD		
3	1	REF	CONNECTOR MS 3470W-14-19P		
2	1	17959-001	PLATE-WARNING		
1	1	16043-052	PLATE-NAME		

FIND NO	QTY REQD	PART OR IDENTIFYING NO	NOMENCLATURE OR DESCRIPTION	DRAWING OR SPECIFICATION	MATERIAL OR NOTE
---------	----------	------------------------	-----------------------------	--------------------------	------------------

UNLESS OTHERWISE SPECIFIED DIMENSIONS ARE IN INCHES TOLERANCES ON

2 PL DEC.	3 PL DEC.	ANGLES
± .03	± .010	± 1'

REF: SIKORSKY AIRCRAFT 70550-02027-104

TE
 Hartman Division - 175 N. DIAMOND STREET MANSFIELD, OHIO 44902

DR BY CSC 00/08/15
 CHK BY CC 00/08/15
 ENGR MRR 00/08/16
 MFG MES 00/08/17

SIZE CODE IDENT
 C 74063

SCALE NONE SHEET

CONTACTOR ELECTRICAL
 135 AMP, SIDE STABLE-3PDT
 115/200 VAC, 400 HZ 093

DWG NO. D-56B

REF TE P/N 1616035-1