

THE INFORMATION CONTAINED IN THIS DRAWING IS THE SOLE PROPERTY OF BUD INDUSTRIES INC. ANY REPRODUCTION IN PART OR WHOLE WITHOUT THE WRITTEN PERMISSION OF BUD INDUSTRIES INC. IS PROHIBITED.

DWG. NO.	AN-2900
ISSUE	REVISIONS
(A)	UPDATED DRAWING 8-8-08 DAB

GASKETED COVER

SUPPLIED WITH (4)
M4x.7 x .79" LG.
FLAT HEAD MACHINE
SCREWS TO ATTACH
COVER TO BODY

BODY

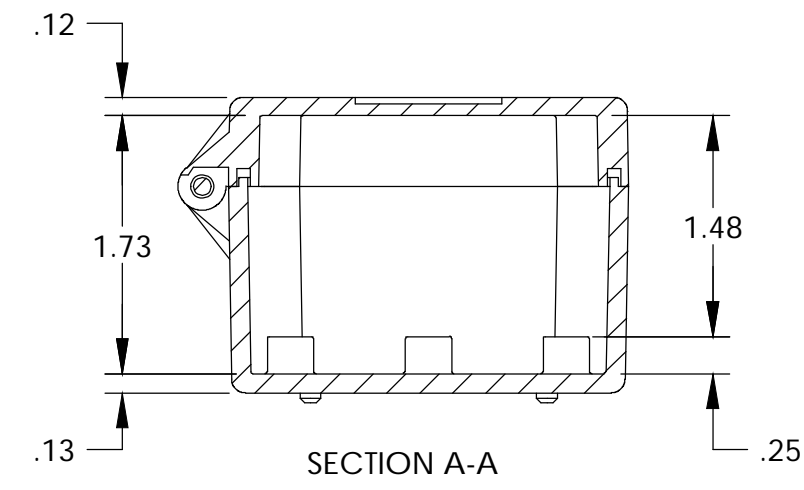
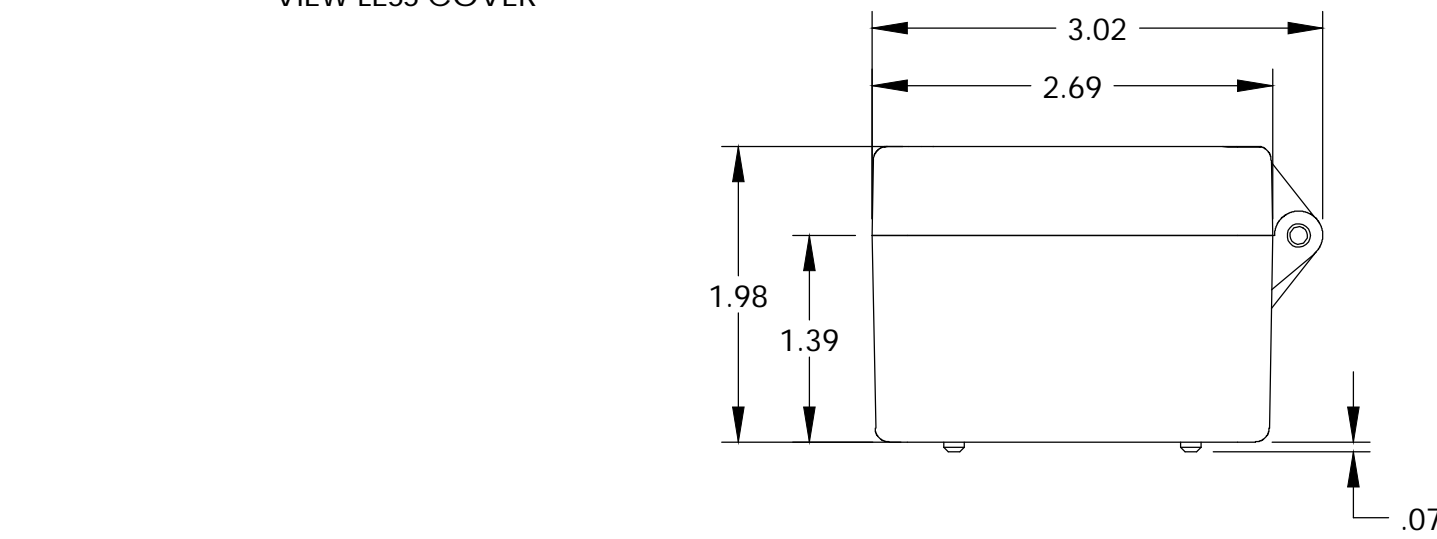
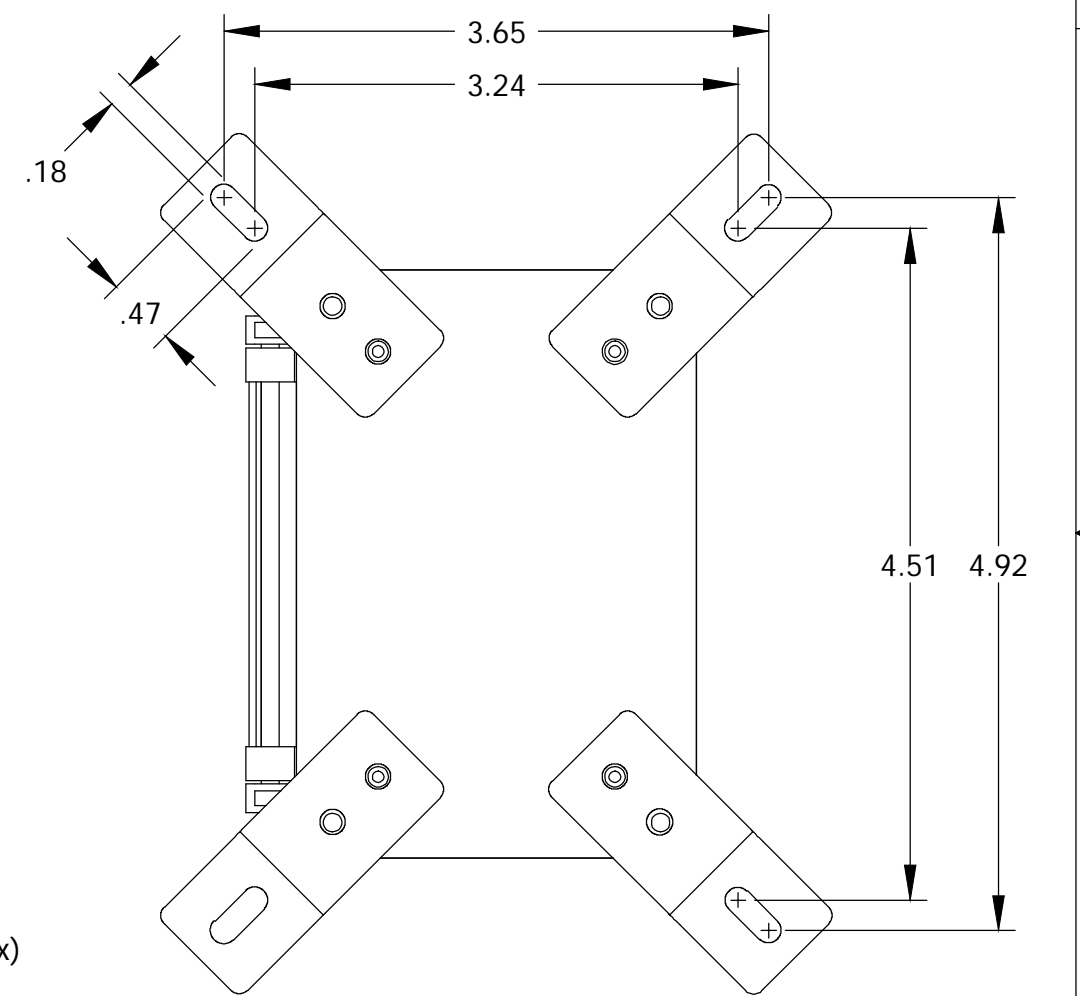
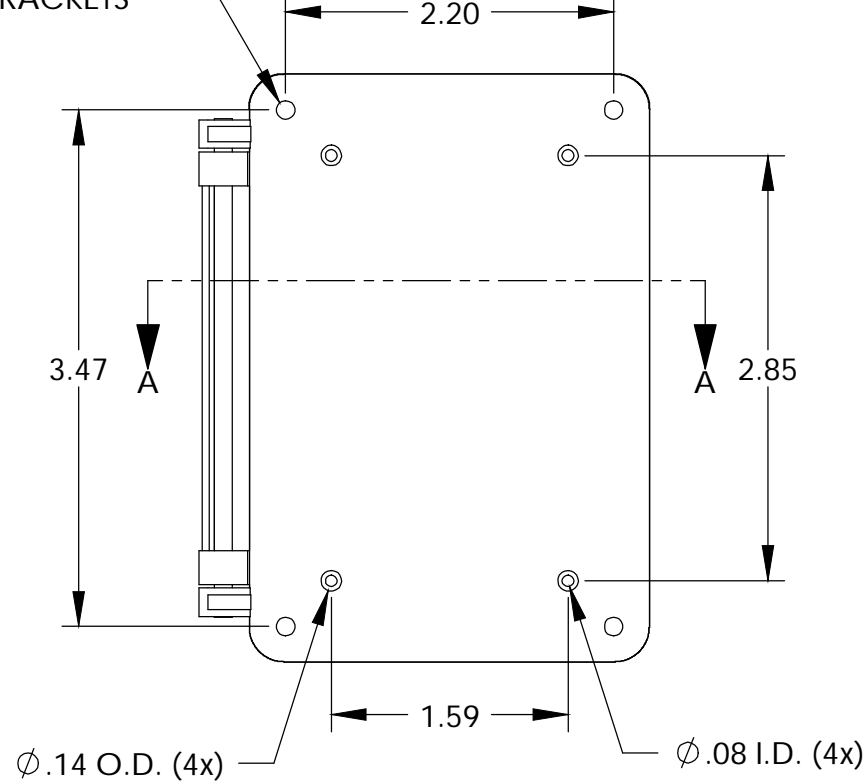
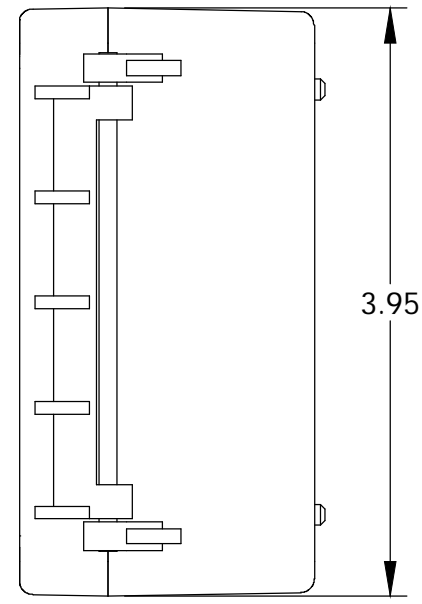
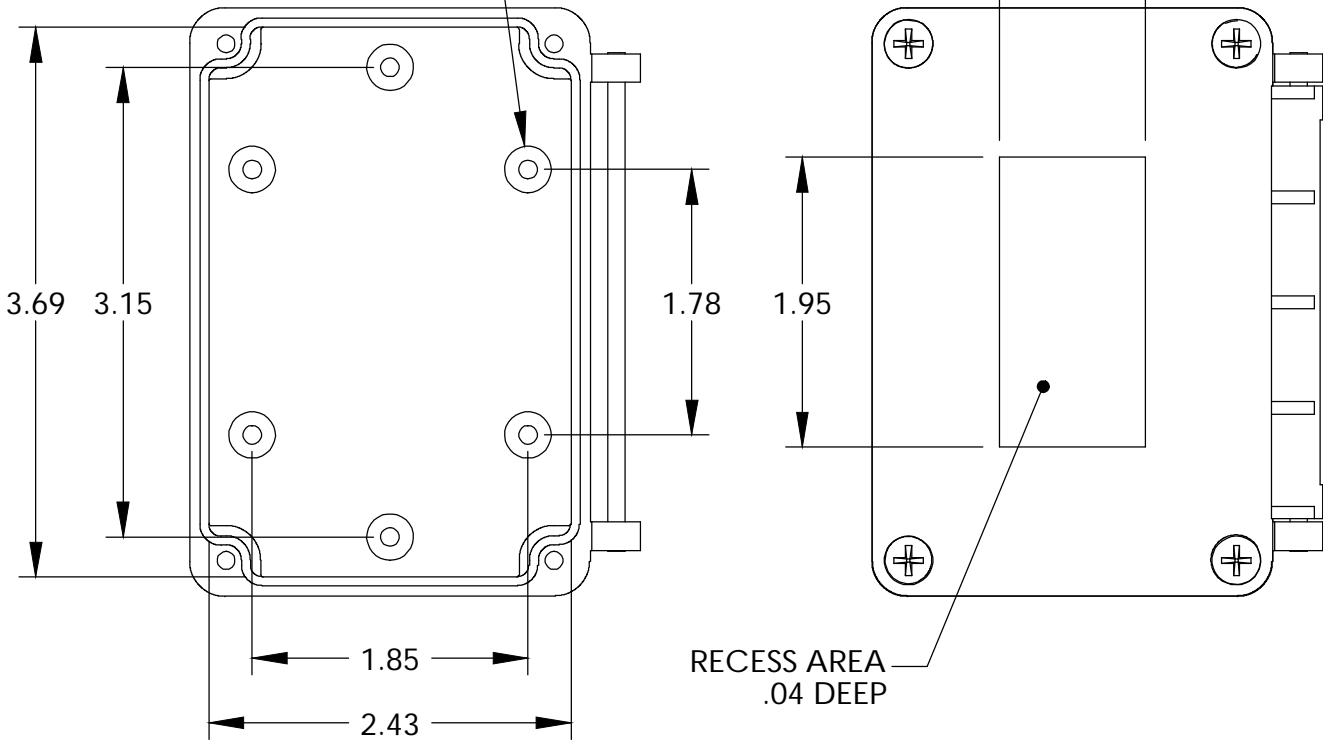
Ø.31 BOSS WITH
M4x.7 TAPPED HOLE
x .25 DEEP (6) PLACES

M4x.7 TAPPED HOLE
.40 DEEP IN BODY
(4) PLACES FOR WALL
MOUNT BRACKETS

RECESS AREA
.04 DEEP

REFERENCE SHOWN WITH MOUNTING BRACKETS
ASSEMBLED (SHIPPED UNASSEMBLED AND
SUPPLIED WITH M4x.7 x .33" LG. PAN HD. SCREWS)

MATERIAL: ALUMINUM ADC-12
FINISH: SMOOTH BLACK POWDERCOAT



VIEW LESS COVER

SECTION A-A

PARTS LIST				
±.005 BETWEEN HOLE CENTERS	CAD GENERATED DRAWING. DO NOT MANUALLY UPDATE	BUD INDUSTRIES INC. NEMA HINGED BOX		
±.015 FROM SHEARED EDGE	APPROVALS			DATE
±.032 FROM A BENT SURFACE	DRAWN			5/31/05
±.062 BETWEEN ASSEMBLED SURFACES	CHECKED			
UNLESS OTHERWISE SPECIFIED	DP			
MATERIAL	AS NOTED	APPROVED		
FINISH	AS NOTED			
QTY.	USED ON	DO NOT SCALE DRAWING	SCALE	
			DWG. NO. AN-2900	
			CAD FILE: SHEET 1 OF 1	