

PART NO.	A54000-015	REV	ECO	DATE	APP
		G	100650	06-17-14	TLM

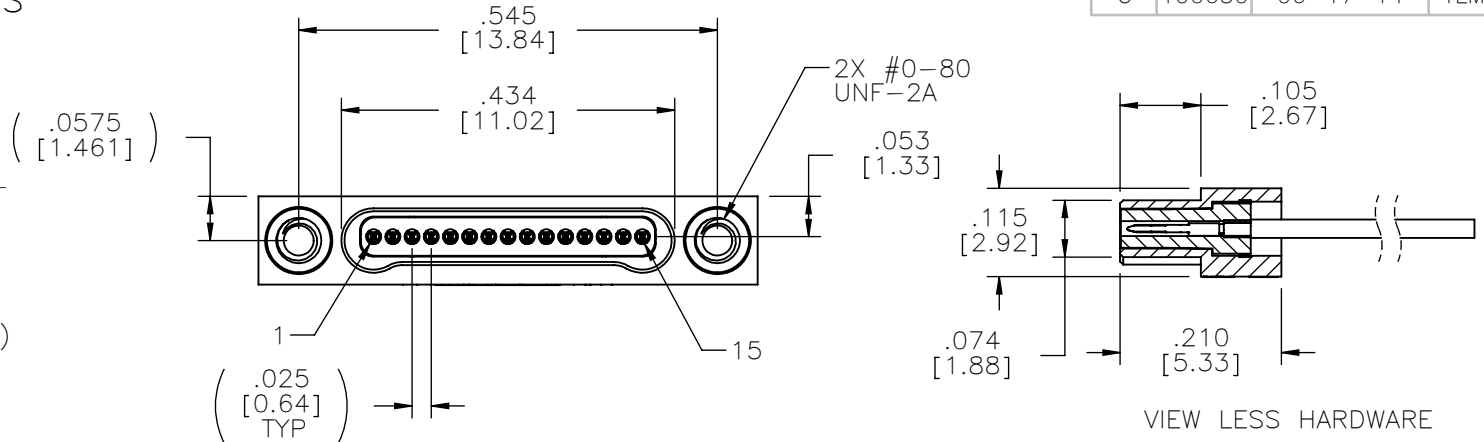
MATERIAL & SPECIFICATIONS

HOUSING:
ALUMNIUM 6061-T6, NICKEL PLATE PER SAE-AMS-2404.

INSULATOR:
THERMOPLASTIC PER MIL-DTL-32139.

CONTACT:
BERYLLIUM COPPER PER ASTM B194, C17200, GOLD PLATED PER ASTM B488, (HARD GOLD) TYPE II CODE C, CLASS 1.27.

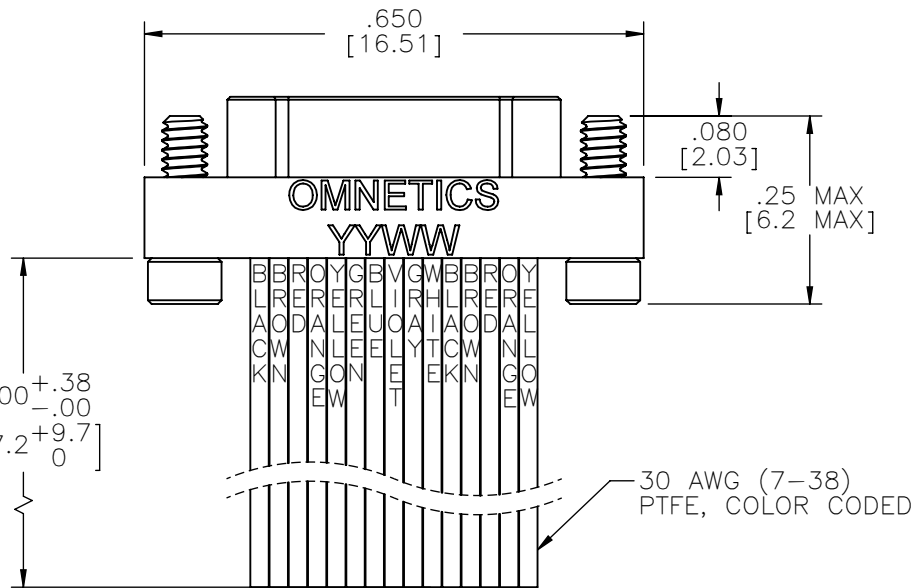
WIRE:
NEMA HP3 TYPE ET, COLOR CODED IAW MIL-STD-681, SYSTEM 1, USING TEN SOLID REPEATING COLORS.



HARDWARE:
303 STAINLESS STEEL PER ASTM 582.

CURRENT RATING:
1 AMP MAX PER MIL-DTL-32139.

PERFORMANCE:
PRODUCT FAMILY TESTED TO AND PASSED THE PERFORMANCE SPECIFICATIONS OF TABLE VIII OF MIL-DTL-32139.



PIN #	COLOR
1, 11	BLACK
2, 12	BROWN
3, 13	RED
4, 14	ORANGE
5, 15	YELLOW
6	GREEN
7	BLUE
8	VIOLET
9	GRAY
10	WHITE



ACTUAL SIZE EXCLUDING WIRE LENGTH

NOTE:
DIMENSIONS IN [] ARE IN MILLIMETERS UNLESS OTHERWISE NOTED AND ARE FOR REFERENCE ONLY

MBPS	THIRD ANGLE
	TOLERANCES— UNLESS OTHERWISE NOTED DIMENSIONS IN INCHES
SLDW	2 PL DEC ± .01
	3 PL DEC ± .005
	4 PL DEC ± .0005
ANGLES ± 1°	

THIS DRAWING CONTAINS CONFIDENTIAL AND PROPRIETARY INFORMATION WHICH IS THE PROPERTY OF OMNETICS CONNECTOR CORP. THIS DOCUMENT MAY NOT, IN WHOLE OR IN PART, BE DUPLICATED, OR DISCLOSED FOR ANY PURPOSE, WITHOUT WRITTEN PERMISSION FROM OMNETICS CONNECTOR CORP.

DFTM. MJM DATE 03-31-11 TITLE: (15) PIN MALE
CHK'D. DATE Bi-Lobe® CONNECTOR
APP'D. DATE

OMNETICS
CONNECTOR CORPORATION
7260 COMMERCE CIRCLE EAST
MINNEAPOLIS, MN 55432
WWW.OMNETICS.COM

CAGE CODE	61873
DWG NO.	A54000-015
SHEET 1 OF 1	REV G
SCALE:	4:1