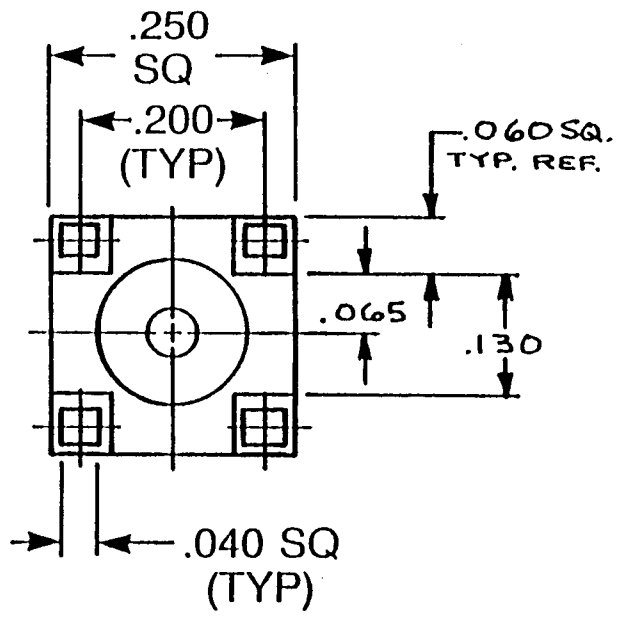
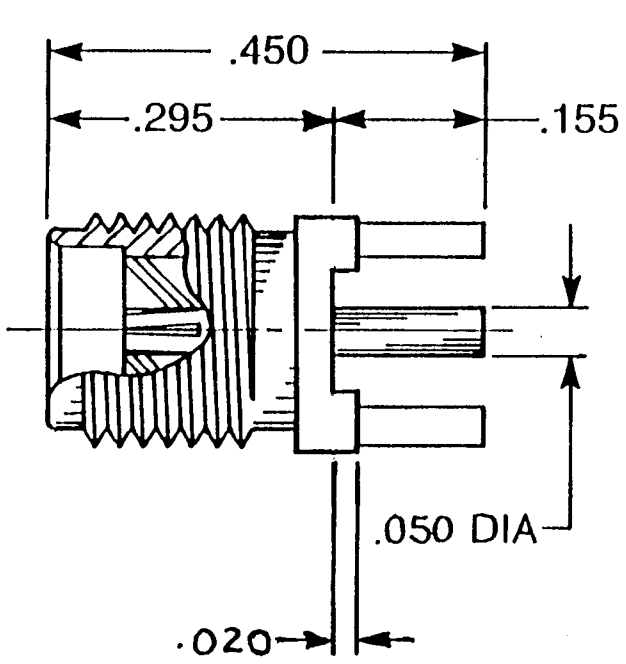


REVISIONS			
LTR	DESCRIPTION	DATE	APPROVED



NOTES: CONFORMS TO MIL-C-39012 SMA SERIES

MATERIAL:

1. BODY = STAINLESS STEEL TYPE 303, COND. A PER ASTM A582.
2. CONTACT = BERYLLIUM COPPER PER ASTM B196.
3. INSULATOR = TEFLON TFE PER ASTM D1710.

FINISHES:

1. BODY = GOLD PLATE PER MIL-G-45204 TYPE II, CLASS 0, GRADE C OVER STRESS FREE NICKEL PER QQ-N-290.
2. CONTACT = GOLD PLATE PER MIL-G-45204 TYPE II, CLASS I, GRADE C OVER STRESS FREE NICKEL PER QQ-N-290.

**PROPRIETARY INFORMATION
NOT TO BE RELEASED
WITHOUT WRITTEN PERMISSION
FROM AN AUTHORIZED
REPRESENTATIVE OF
APPLIED ENGINEERING PRODUCTS.**

UNLESS OTHERWISE SPECIFIED DIMENSIONS ARE IN INCHES TOLERANCES ON FRAC. 1/64 DECIMAL ANGLES ± 2°	DRAWN	DATE	APPLIED ENGINEERING PRODUCTS 104 John W. Murphy Drive, P.O. Box 510 New Haven, CT 06513		
	D.N.	5-28-96			
MATERIAL: SEE NOTES	CHECKED	DATE	SMA PRINTED CIRCUIT MOUNT JACK		
	<i>VPS</i>	5-29-96			
SEE NOTES	APPROVED	DATE	SIZE	CODE IDENT NO.	9650-1113-050
	<i>[Signature]</i>	5/29/96	A	19505	
SEE NOTES	FINISH:	SEE NOTES	SCALE	5:1	SHEET 1 OF 1